

GROHE PROFESSIONAL

WORK
SMARTER

GROHE
PROFESSIONAL

GROHE
PROFESSIONAL

BETTER SOLUTIONS
FOR YOUR BUSINESS



MASTERS OF TECHNOLOGY

**WORK
SMARTER**

GROHE


PROFESSIONAL



GROHE PROFESSIONAL
WORK SMARTER

GROHE PROFESSIONAL WORK SMARTER



GROHE Professional – because you decide.

GROHE Professional directly addresses the needs of the industry's installers and planners. Here you'll find everything professionals need for their business:

- intelligent and easy-to-install sanitary systems
- everything you need for flush-mounting installations for shower rooms and bathrooms
- electronic and mechanical fittings as well as flushing systems for the public and hospitality sectors
- special fittings for the medical and healthcare sectors
- connectivity and safety technology

These are all based on a single philosophy: Work smarter.

We know that the sanitary business has become more difficult, even when orders are rolling in. A number of factors are at work: constraints on time and therefore performance, pressure on profit margins, lack of skilled workers, and ever more stringent demands from regulators and customers alike.

This is the reason we keep working to bring you optimum solutions. We continue to develop and improve our ranges. For example, our sanitary systems now offer you Rapid SL, the system that is the easiest and fastest to install on the market. To remain the best, we regularly subject ourselves to the Refa Test, which this year once again confirms our number one position. Time saved on an installation is money in your pocket. And the product range is extensive enough that you can benefit from the advantages of Rapid SL in all situations all the way up to to major projects.

Interesting innovations that support your business include the new wall drain for our expanding range of floor-level showers. Compared to traditional floor drains, ours offers much simplified installation and easier coordination with other bathroom-fitting trades.

In the area of electronic fittings, we have once again thoroughly revised our bestselling Eurosmart CE. In addition to a new elegant design, it also offers functional advantages such as more space for washing your hands and intelligent electronics for user-friendly programming via our new remote control. Three power-supply options are available: mains, Powerbox (which converts energy from the water flow), or our unique battery option with running times of seven years or longer - based on 150 cycles per day. And installation is as simple as with a normal fitting.

The Sensia shower toilet is another product that's requested more and more by sophisticated customers. A true technological marvel, it combines an incomparable hygiene experience with the benefits of modern European comfort levels. It's easy to install, easy to use and nearly maintenance-free. Discover the potential of Sensia and turn your customers into fans of the shower toilet.

We want your business to be successful. For that reason, our engineers, product developers and application technicians work constantly to make products that make your life easier.

Work smarter with Grohe. We'll give you our best, every day.

Sincerely yours

A handwritten signature in black ink, appearing to read 'M. Rauterkus', written in a cursive style.

Michael Rauterkus | Chairman of the Board | Grohe AG



GROHE PROFESSIONAL
WORK SMARTER



GROHE Work Smarter	11
GROHE Sanitary Systems	34
Installation systems	38
Rapid Pro	42
Rapid SL	50
Uniset	90
Flushing systems	102
Wall-installed cistern	106
Wall-installed flushing valve, manual	108
Wall-installed flushing valve, electronic	109
Exposed cistern	110
Exposed flushing valve	111
Actuation plate	134
Planning	168
GROHE Shower Toilet	196
GROHE Concealed Technology	206
Rapido T	226
Rapido E	230
Rapido C / UP-Valves	234
GROHE Special Fittings	240
Touchless fittings	248
Allure E	254
Essence E	258
Powerbox	264
Europlus E	268
Eurosmart Cosmopolitan E	274
Euroeco Cosmopolitan E	280
Self-closing fittings	284
Eurodisc SE	288
Eurosmart Cosmopolitan T	294
Euroeco Cosmopolitan T	298
Thermostats	302
Grohtherm XL	306
Grohtherm 2000 Special	312
Grohtherm Micro	318
Grohtherm Ergomix	320
Special single-lever mixer	324
Euroeco Spezial SMB	330
Euroeco Spezial	334
GROHE Connection & Safety Technology	340
Angle valves	344
Original WAS valves	350
Protective fittings	358
Outside wall valves	362
GROHE Waste Technology	364
GROHE Planning Information	
Freestanding fittings	376
F-Digital	390
Grohtherm F	428



MELANIE PAPADIAS

Master of Technology, listens to the hush of GROHE Whisper® water technology as she tests it in the acoustics lab.

MASTERS OF TECHNOLOGY

GROHE's people have been regarded by their peers in the industry as Masters of Technology, because of their innovations, outstanding design and awardwinning fittings.

By a combination of their advanced craftsmanship and their cutting-edge approach to effective teamwork and processes, our Masters of Technology take the lead in developing, designing and manufacturing our outstanding product range, all the while testing and fine-tuning each piece to ensure continued customer satisfaction.

The result: Timeless design. And quality that lasts a life-time. Again and again GROHE products surprise users with unique features that provide 'Pure Freude an Wasser'. When you use a GROHE product you can feel the difference. Time after time.

GROHE PROFESSIONAL
WORK SMARTER



GROHE PROFESSIONAL

YOUR WORK IS NEVER DONE. YOUR CUSTOMERS EXPECT PERFORMANCE, EVERY DAY. WITHOUT EXCEPTIONS.

To be the best you have to work with the best. For that reason, we at GROHE Professional are here for every job. We are fully committed to helping you work better and smarter. Under even the most difficult conditions we will back you up with training, on-site service and 100% practical support. With each new service, each product development, we are putting your needs first. So you can expect performance from us as well. Every day. Without exceptions.

WORK SMARTER with GROHE PROFESSIONAL



GROHE PROFESSIONAL
WORK SMARTER



WORK SMARTER

WORK SMARTER is our promise to our professional partners to continuously develop and improve our products. In real terms this means:

1. EASIER INSTALLATION – FOR YOUR SAFETY

Safe, fast and trouble-free installation must be achievable without extensive preparation and training. The solution lies in the detail – easy height adjustment of all Rapid SL frames, Rapid Pro one-click installation plus tool-free installation wherever possible and much more besides. Simple installation procedures save time and money and help professionals to meet deadlines and remain within budget.

2. RELIABILITY – NO COMPROMISE GUARANTEED

GROHE products guarantee many years of reliable operation. You can therefore have total confidence in your installation. Just like your customers, you benefit from our extended 10 year warranty for core products in our concealed installation range and a retrofitting offer for conversion of up to 30 years old concealed cisterns to next level water saving technology. Our Customer Service team is on hand at all times to give you fast, expert advice. You'll find detailed information on a wide range of technical questions on our website.

3. CONTINUOUS PRODUCT IMPROVEMENT – RIGHT DOWN TO THE VERY LAST DETAIL

Perfect products that guarantee faultless operation are the result of many years of continuous improvement. Our many years of experience in the sanitary products industry have taught us that this is the key to success. A perfect example of this are our WC flushing systems, whose features provide added value for your installation. They include our unique pneumatic hose, simple connection, versatile functionality with choice of single flush, dual flush or start/stop technology as well as flexible design and an extensive range of actuation plates – compatible with all Rapid SL frames.

4. GOOD BUSINESS SENSE – NOW WITH EVEN GREATER POTENTIAL

We can already support you in achieving the best possible installation. Now we want to go even further by helping you to expand your business and deliver optimum results to your customers. Intensive training courses at our new training centres will help ensure that you are ready for all requirements in sanitary engineering. And there's the GROHE SMART loyalty programme, with which you can earn SMARTs – our new bonus points – with every purchase.

„MADE IN GERMANY“ GROHE'S PRECISION MANUFACTURING AND QUALITY



SMELTING FURNACE

- We are the only manufacturer of sanitary ware with our own smelting furnace for making the perfect alloy mix.
- Having our own furnace allows GROHE to precisely tailor the alloy components to country-specific requirements, for instance for countries that require the use of a particularly corrosion-resistant brass alloy.
- From a business point of view, it is more cost-effective to reduce the smelting time than to smelt down pre-mixed material again.
- GROHE Zero: lead-free, corrosion-resistant faucets thanks to the use of GROHE's own alloy.



CENTRAL MANUFACTURING OF FUNCTIONAL PARTS

- Lessons learned from developing and manufacturing more than 100 million cartridges; 100% 'Made by GROHE'.
- GROHE is not just one of the world's leading manufacturers, it is also one of the few that produces its cartridges itself.
- The cartridges that GROHE produces itself are clearly superior to other products and lie at the heart of the innovative GROHE SilkMove® technology. Each single-lever mixer is tested by opening and closing it 400,000 times to simulate a 'lifetime' use of over 15 years.
- The thermostatic cartridge was also developed by GROHE in-house. It features an extremely sensitive wax element that permanently senses the water temperature. All the thermostatic cartridges are tested twice: for the first time after the components are assembled and again after they are installed in the mixer body. The tests comprise 50,000 cycles to simulate a lifespan of ten years and assess water-tightness, safety and adjustment.
- Our outlet valves, also developed and manufactured by GROHE, enable the user to choose the flush volume for each individual flush operation.



AUTHENTIC GROHE

- Each product stands for 'DESIGN & DEVELOPMENT – GROHE GERMANY'.
- GROHE is the first manufacturer in the sanitary sector to include the place of manufacture on its packaging.
- All GROHE products are developed in the GROHE Competence Centre in Germany and tested in German test laboratories.
- GROHE has a global production network of six plants, all of which operate the same high GROHE standards for production and quality.
- There is just one standard for quality, safety and environmental protection – and it is the same across all six plants.

GROHE TECHNOLOGIES SOLUTIONS FOR EVERY REQUIREMENT

GROHE invests heavily in the development of new technology on an ongoing basis so that we can always offer our customers the best solution for their planning, installation and operating requirements.

The result is that many innovative technologies underpin the high standards of quality, performance and sustainability of GROHE faucets, showers and sanitary systems. Special conditions require extraordinary solutions. GROHE has defined further standards that demonstrate the exceptional quality, low maintenance requirements and user-friendly design of products that are easy to clean and suitable for use in professional settings.

These unique features allow architects, planners and operators as well as the retail and trade sectors to immediately recognise the many long-term economic benefits of professionals using GROHE products.



RealSteel

Indicates that solid steel is the main material used.



SwivelStop

Limits the radius of swivel spouts to actively prevent flooding.



ErgoHandle

Faucets incorporate ergonomic metal butterfly handles to make them easier to use.



LongLife Battery

Ensures a long life thanks to unique low-energy electronics.



SpareFlush

Delivers an additional safety flush volume of 3 l for added flushing power.



Safety

Guarantees a high level of safety and resilience with external test certificates.



EasyConnect

Simplifies the installation of WC flushing mechanisms with pneumatic connections to the actuation plate.



ToolFree

For simplified installation of components without the need for tools.



SafetyPlus

Simplifies regular thermal disinfection.



GROHE Whisper®
Innovative water technology delivering whisper-quiet acoustics.



GROHE StarLight®
Made-to-last surfaces ranging from precious matt to shiny like a diamond.



GROHE CoolTouch®
No scalding on hot surfaces thanks to 100% GROHE CoolTouch®.



GROHE TurboStat®
Always the right temperature, for utmost convenience and safety.



GROHE EcoJoy®
Save precious resources and enjoy 100% water comfort.



GROHE QuickFix®
Speeds up installation; fewer individual components, reduced complexity.

GROHE WARRANTY SERVICES

GROHE STANDS FOR LONGEVITY - AND THAT GOES FOR OUR PARTNERS TOO

All GROHE products are distinguished by exceptional quality. High-quality materials and state-of-the-art manufacturing methods combine with market-leading technologies to deliver products that will perform reliably over many years of use. This is reflected in our five-year manufacturer's warranty on all products manufactured under the GROHE brand.

All components in our products, the ease of operation and the perfect look are subjected to numerous endurance tests – the toughest in the industry. And they are not allowed to leave the factory until they have passed these tests with flying colours.

GROHE 5 OR 10 YEAR MANUFACTURER'S WARRANTY

This consistent focus on quality, durability and sustainability enables us to guarantee the functionality and safety of our products in the long term.

We offer a special extended warranty for our wall-installed products, which means our wall-installed concealed cisterns, Rapid SL and Uniset concealed cisterns, our Rapido back sections and our Rapid Pro range are now covered for ten years.



EXTENDED REPLACEMENT PARTS WARRANTY: 10 OR 15 YEARS

We know from experience that many of our products have been in use for decades. The main reason for this is the high technical standard of the products, which ensures low maintenance operation as well as exceptional continued use, suitability and durability. Other contributing factors are the timeless design, the user focus and the user-friendliness of our products.

It is therefore hardly surprising that even after many years of use if there is ever a problem with functionality that repair instead of replacement is the preferred solution for our products

The long-term availability of replacement parts is an important consideration when it comes to choosing a high-quality faucet. To offer our partners from the fields of architecture, planning, retail and trade as well as operators of public or commercial properties the greatest possible security, we provide an extended replacement parts warranty.

That is why all surface-mounted products from GROHE come with a replacement parts warranty of ten years. GROHE concealed products come with an extended replacement parts warranty of 15 years. Replacement sets are available for a full 30 years for our concealed cisterns. This means that even older cisterns can, for example, be converted to the latest water-saving technology using appropriate conversion kits.



GROHE DESIGN FORM, FUNCTION AND MORE

Design is one of the cornerstones of the GROHE strategy. Our design philosophy is direct, open and uncomplicated and focuses on the needs of our customers. This philosophy is rooted in our belief that good design goes beyond pure form and function and creates an emotional bond with the user.

The GROHE design vocabulary is multifaceted and can be divided into three distinct styles – Cosmopolitan, Contemporary and Authentic. Each style suits a different interior and draws the customer to the collection of faucets that most closely matches his design specifications.

Design has always been a top priority at GROHE. Our in-house design team is the driving force behind innovations that continuously set new standards in the sanitary sector. This spirit of innovation has been recognised with numerous international design awards, including red dot, iF product design, Good Design USA, Design Plus, Green Good Design and many more.

In June 2011, it was announced that Senior Vice President Design Paul Flowers and the GROHE design team had been selected for the most prestigious award in product design – the red dot `design team of the year' 2011/2012. GROHE is the first company in the sanitary sector to receive this internationally recognised award since it was introduced in 1988.

Our outstanding expertise is reflected throughout the entire product range. For example, the actuation plates for WCs and urinals are coordinated in design with the faucets, which allows the chosen style to be realised wherever water is enjoyed in the bathroom.

Aside from purely aesthetic considerations, design must also fulfil functional requirements. Special faucets, for example, must be easy to clean. Prevention of dirt around the edges and recesses improves the hygienic characteristics. The choice of material also plays a key role in design. Stainless-steel surfaces, frequently used in professional projects, are easy to clean and germ-resistant.

The design must also be self-explanatory in the case of products that the user does not regularly come into contact with – in particular, in publicly accessible sanitary facilities and commercial projects. Operation must be intuitive, particularly for children, senior citizens or people with physical disabilities who need to use hot or cold water. Whether it's a single-lever mixer, special faucet, thermostat, WC or wall-mounted urinal control, being able to get to grips quickly with the operating logic means that users are always safe.



reddot design award
design team of the year 2011/2012



GROHE SUSTAINABILITY GOOD FOR THE ENVIRONMENT AND ECONOMIC EFFICIENCY

ECONOMICAL AND RESPONSIBLE USE OF WATER, OUR MOST ESSENTIAL RESOURCE, MAKES SENSE.

Water supply and disposal are significant cost factors in property construction and operation. And the use of energy for heating water should not be ignored either. GROHE EcoJoy® products for all points of discharge deliver full functionality and performance, but with much lower water consumption.

Innovative GROHE products with integral water-saving technology help architects and planners, installers and operators to avoid water wastage in public and commercial properties right from the outset. Investing in water and energy-saving equipment pays off in the long term through increased efficiency and economy.

For example, GROHE technologies reduce water consumption at the wash basin. Water accidentally left running? Self-closing and touchless faucets make this impossible. Classics such as GROHE Contromix or GROHE Eurodisc SE with electronic running-time monitoring start the water flow at the push of a button and stop it automatically according to a preset time anywhere between 2 and 30 seconds.

The GROHE Allure E, GROHE Essence E, GROHE Europlus E, GROHE Euroeco Cosmopolitan E and GROHE Eurosmart Cosmopolitan E touchless faucets are controlled using infrared, making them as economical as they are hygienic. The water flow is started on demand as soon as the IR beam is interrupted and stops automatically. This reduces water consumption by up to 70%.

GROHE's single-lever mixers not only feature GROHE SilkMove® for easy and precise control, but also have flow rate and temperature limiters for setting the desired maximum values.

Thermostats are another way of saving water – particularly in showers such as communal shower systems in sports and leisure facilities – thanks to convenient adjustment of the required temperature. The innovative GROHE TurboStat® technology reacts automatically and quickly to pressure and temperature fluctuations, making frequent adjustment unnecessary.

The choice of shower is another factor here, with savings of 40 to 50% in the amount of water used possible with the right shower. The GROHE range features a variety of hand and head showers that produce a generous spray despite using less water.

Pioneering GROHE WC flushing technology also helps to save water. GROHE cisterns have a flush volume of between 6 and 9 litres depending on the local conditions and model. However the full flush volume is not always needed. The start/stop function and the choice of two flush volumes enable the user to use just as much water as needed. The dual-flush cistern of the GROHE Rapid SL features a pneumatic connection so the user can select the flush volume by pushing the large button (full volume) or small button (half volume) on the WC actuation plate. The small button can be used to prematurely stop the water flow if the full flush volume was triggered first.



GROHE GREEN BUILDING PREPARED FOR ALL REQUIREMENTS – WORLDWIDE

As water is an increasingly valuable resource new regulatory bodies that assess the environmental impact of buildings are developing all over the world. It is a complex picture with each one reflecting the particular needs of its local area, from religious issues to specific environmental challenges.

HOW GROHE CAN HELP

GROHE can help clients navigate the complicated system of green building rating systems. We have a worldwide network of 1100 Project Directors and consultants in 130 countries, including every major design capital, so there is an expert on hand wherever the hotel is located.

In addition, our range of faucets and fittings meets the toughest international regulations – the use of our innovative GROHE EcoJoy products even attracts tax incentives in some countries. With our expertise we can recommend the best way to achieve compliance while maximizing the enjoyment of water in the bathroom. Performance is never compromised – our products always unite water-efficiency and awardwinning design.

GREEN IS GOOD

There are many benefits to choosing an environmentally sustainable strategy. The hotel can boost its reputation and become a market leader, attract increased customer satisfaction and loyalty, enjoy improved risk management and ultimately enhance its brand value.

LEED – LEADERSHIP IN ENERGY AND ENVIRONMENTAL DESIGN

Leadership in Energy and Environmental Design The objective is to achieve aggregate water savings in commercial buildings of 20 to 30 per cent compared to the baseline level outlined in the Energy Policy Act 1992. The rating: Certified, Silver, Gold and Platinum.

BREEAM – BUILDING RESEARCH ESTABLISHMENT ENVIRONMENTAL ASSESSMENT METHOD

Building Research Establishment Environmental Assessment Method To determine the water consumption figure, flush volumes and flow rates of all sanitary fittings are entered into the BREEAM water calculator tool. The rating: Pass, Good, Very Good, Excellent or Outstanding.

ESTIDAMA – SUSTAINABILITY

Etidama, which means 'sustainability' in Arabic, is based on four pillars: environmental, economic, cultural and social. The Pearl Rating System is used to assess the sustainability of a project's design, construction and operation. The rating: One to Five Pearls.

DGNB – DEUTSCHE GESELLSCHAFT FÜR NACHHALTIGES BAUEN EV (GERMAN: GERMAN SUSTAINABLE BUILDING COUNCIL)

Launched in 2009, the DGNB system of certification is based on EU targets, standards, and regulations. Six fields are assessed: Ecology, Economics, Socio-cultural and Functional aspects, Technology, Processes, and Site. The rating: Bronze, Silver or Gold certificates.

WELL – WATER EFFICIENCY LABEL

The installation of GROHE products will immediately help save water. GROHE EcoJoy single-lever basin mixers, which have a flow-limiting mousseur with aerator and an adjustable temperature limiter, have earned an A-Rating under the Water Efficiency Label (WELL) classification that assesses volume and temperature.



GROHE HYGIENE

Many years of practical experience with sanitary installations in settings such as the food industry and care facilities within the health sector have allowed GROHE to develop pioneering technologies that help reduce the transmission of bacteria. However, hygiene is also essential in other public and commercial bathrooms. Touchless faucets, simplified thermal disinfection of water pipes and easy-to-clean surfaces on GROHE special faucets all fulfil the demanding requirements for hygiene.

TOUCHLESS FAUCETS

Touchless faucets guarantee a high level of hygiene because they largely prevent the transmission of bacteria. GROHE infrared technology, as demonstrated for instance in the wall-mounted GROHE Europlus E and GROHE Eurosmart Cosmopolitan E faucets, is frequently used in particularly sensitive areas to prevent direct contact with potentially contaminated objects such as operating levers and handles.

The infrared beam is interrupted when a user stands at a wash basin. The energy-efficient electronics initiate the water flow precisely and reliably and then stop the flow automatically when the user vacates the area detected by the beam. Reliable infrared technology is also used to control GROHE actuators for WCs and urinals and ensure particularly hygienic operation.



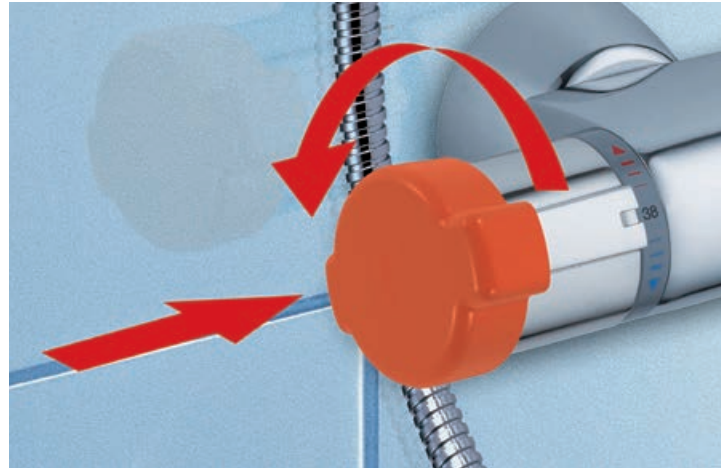
Fulfills the highest demands for hygiene: the GROHE Eurosmart CE thermostatic basin mixer with infrared electronics
Photo © Jochen Stüber, Hamburg

SIMPLE THERMAL DISINFECTION

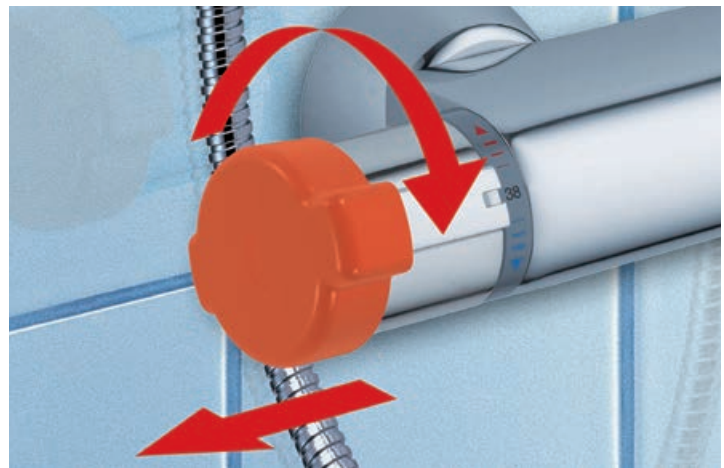
When required, supply pipes and faucets can be thermally disinfected to successfully combat possible sources of infection in the drinking water installation. At a water temperature of 70 °C, potential pathogens, such as legionella bacteria can be rendered harmless and biofilms removed from the pipes.

Automatic flushing and thermal disinfection sequences can be programmed for electronically controlled faucets at fixed time intervals using a remote control. This effectively prevents stagnation of the water and germ formation when a faucet is left unused over long periods.

The thermal disinfection of sanitary installations is particularly easy with GROHE SafetyPlus. The faucet can be programmed for thermal disinfection in seconds. Subsequent readjustment of the thermostat is not necessary.



Place the special cap in position and turn to start the thermal disinfection sequence



Simply unscrew the special cap and remove to end the thermal disinfection sequence

EASY-TO-CLEAN SURFACES

Die glatten Oberflächen der GROHE Spezialarmaturen sowie der hochwertigen Rosetten und Abdichtungen bieten wenig „Angriffsfläche“ für Verschmutzungen. Das klare Design der GROHE Armaturen verhindert so die Bildung von Schmutzecken und lässt das Wasser ungehindert abfließen. Dadurch erhöht sich die Reinigungsfreundlichkeit der Oberflächen, und der Reinigungsaufwand verringert sich erheblich.



Easy to clean: the GROHE Europlus E faucet with infrared electronics

TOTAL PROTECTION FOR USERS

At many points of discharge used in the public or commercial sector, high temperatures – often reaching more than 65 degrees on the hot water side – present a particularly high risk of scalding. This applies in particular to facilities in the health sector, the food industry and many other sectors. The definitive planning principles for scalding protection in drinking-water installations are defined in the European standard DIN EN 806-2.

RELIABLE WATER REGULATION AND SCALDING PROTECTION

DIN EN 806-2 requires protection against scalding from hot water or heated faucet surfaces. Many GROHE thermostats feature a special function for limiting the maximum temperature, as well as the GROHE CoolTouch® function, which prevents the faucet surface from getting hot.

TECHNOLOGY IS THE KEY TO PROTECTION

All GROHE thermostats are based on GROHE TurboStat® technology, which mixes cold and hot water reliably and constantly as required. It responds rapidly to temperature and pressure fluctuations and compensates for them immediately and automatically. This means an end to time spent turning handles for hot and cold water. In the event of a cold water failure due to a burst pipe, for example, the high-end technology immediately shuts off the flow so that unmixed hot water cannot be dispensed.

RELIABLE HANDLING THANKS TO SIMPLE OPERATING LOGIC

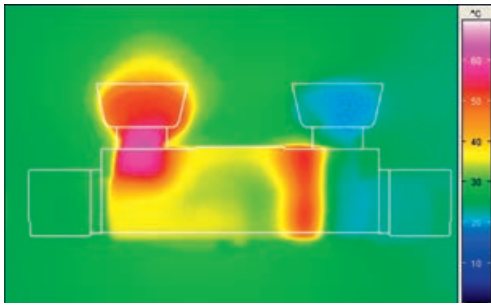
Ergonomically designed equipment is extremely useful in many facilities – particularly for children, senior citizens, patients or people with sensory disabilities or limited mobility. Shower thermostats in particular must be easy to understand and use.

GROHE EasyLogic offers simple operating logic that makes for intuitive handling. This is evident in features such as the easy-to-read scales, which are applied to non-reflective surfaces and do not disappear from the user's field of vision even when the handles are turned.

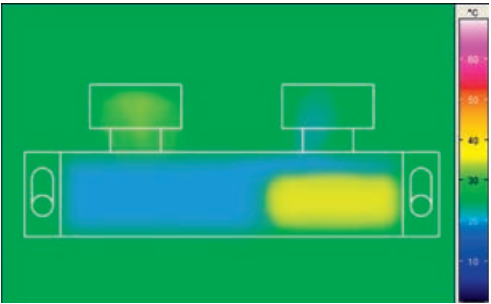
RELIABLE COMPENSATION: SCALDING PROTECTION WITH GROHE GROHTHERM MICRO

A perfect addition to all faucets in public sanitary facilities is GROHE Grohtherm Micro, which mixes the water to be dispensed to a predefined temperature. This applies to classic self-closing faucets, which are activated at the touch of a button, as well as to infrared-controlled faucets and even classic two-handed faucets and single-lever mixers.

Thermal disinfection for the prevention of legionnaire's disease is easy to use and reliable. GROHE Grohtherm Micro also provides thermostatic protection in sanitary facilities with increased safety requirements. In the event of a cold water supply failure, GROHE Grohtherm Micro stops the water flow automatically and protects against scalding. Even minor pressure fluctuations in the pipes are quickly compensated for and a constant temperature is maintained.



Hot surface **without** Grohe CoolTouch®



With Grohe CoolTouch®

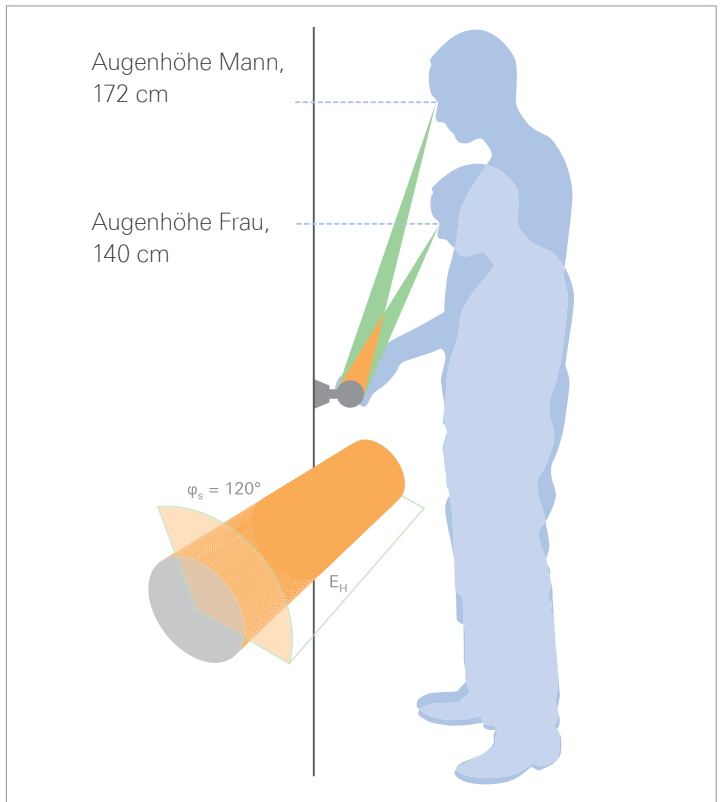
GROHE CoolTouch®: No scalding on hot surfaces thanks to 100% GROHE CoolTouch®



By designing our thermostats to include an innovative cooling channel, we have created a barrier between the hot water and the chrome surface - so it's never too hot to handle.



Grotherm Micro: innovative technology for increased safety in the smallest of spaces



GROHE EasyLogic scale is always in view

GROHE ALWAYS THE PERFECT SOLUTION

PRODUCTS FOR ALL PROJECTS, DESIGN STYLES AND PRICE SEGMENTS

GROHE's range of faucets, showers and sanitary systems is comprehensive enough that we can offer our customers the perfect product solution for every project. Every year we develop many new products to keep up-to-date with customers' wide-ranging requirements – regardless of culture, country or budget.

All of GROHE's collections are complete and coordinated in design, which means that the faucets, showers and flush actuators in each individual product line complement each other perfectly. As part of this attention to detail, we have also developed suitable products for all price segments. This gives our customers an unrivalled choice with enormous flexibility, enabling them to keep total control of their projects at all times. The advantages are obvious.

GROHE PRODUCTS:

- Satisfy all requirements in large-scale projects and simplify selection
- Consistent design language across all draw-off points (basin, shower, WC, urinal)
- Are suitable for differentiating rooms based on style, e.g. one style for a standard room and another for the penthouse suite
- Lend the property a consistent brand presence and contribute to customer satisfaction
- Provide fast and reliable installation for planners and installers
- Are designed to make cleaning easier
- Guarantee a secure supply of replacement parts in the long term. GROHE products are incredibly durable. Replacement parts are quickly and readily available, so that the products can be ready to use again in an instant.



GROHE INDIVIDUAL SUPPORT

CONTACT PERSON FOR YOUR PROJECT

GROHE has developed a global network of consultants and a variety of other systems to ensure that we can support you quickly and efficiently, wherever you are based. We are always delighted to meet customers face-to-face to discuss their projects. Our comprehensive range of services includes product information and item numbers, price ranges, image material and technical specifications, as well as CAD data.

ONLINE SUPPORT

No time for a face-to-face meeting? We have a wide range of online resources that give our partners direct access to all of the information they need for their project. If you are planning a hotel project, for example, simply visit our website, enter the star rating of the hotel and we will make suitable product recommendations, complete with a range of download options, including images for presentations, technical information and item numbers.

We also have a range of online tools to help you plan your project, such as a 3D bathroom configurator and a handy locator to help you find a GROHE retailer in your area.

ON-SITE SUPPORT

Our tailor-made service packages for major projects include:

- On-site training and supervision to ensure that installation runs smoothly
- Standby service – a GROHE technician on standby to deal with any initial teething problems
- Regular maintenance – annual check-up and maintenance service with refresher training for maintenance staff
- Sample bathrooms

GOING LIVE

The GROHE Live! centres and showrooms, located in some of the world's biggest cities, including New York, London, Paris, Singapore, Mumbai and Milan, are the perfect place to meet clients. You can discuss projects in meeting rooms equipped with state-of-the-art technology, including global videoconferencing. GROHE project managers and consultants are always available to assist you by drawing on their vast product knowledge and expertise. The GROHE Live! centres also include training facilities for designers and installers.

HELP EVERY STEP OF THE WAY

Our consulting services, short delivery times and ongoing support for your project will exceed your expectations. We also provide a five-year manufacturer's warranty for all products, as well as an extended replacement parts warranty of 15 years in the case of concealed products, for example.



GROHE PROFESSIONAL
WORK SMARTER



GROHE SANITARY SYSTEMS

RAPID SL AND UNISET, WC AND URINAL FITTINGS

Ecologically sensible: GROHE fittings use water very sparingly. Economically convincing: a low water consumption means high efficiency. Smart use of space is key to success in contemporary bathroom planning. To make sure the new bathroom is fit for the future too, it should be designed around a full set of water-saving fittings which emphasise its sustainable character and long-term functionality.

Be sure to add some sophisticated illumination to create a pleasant atmosphere to relax and enjoy. Convince your customers of the water-saving WC and urinal fittings as well as the clever installation systems, such as Rapid Pro, Rapid SL and Uniset, for optimum design and rapid, clean installation.

GROHE SANITARY SYSTEMS OVERVIEW

GROHE INSTALLATION SYSTEMS





GROHE
FLUSHING SYSTEMS

PAGE 102



GROHE
ACTUATION PLATES

PAGE 134



GROHE INSTALLATION SYSTEMS

Whether it be in a new building or for a renovation project: you will obtain perfect wall installation systems for designing bathrooms and sanitary modules using Rapid Pro, Rapid SL and Uniset from GROHE. Rapid SL – for modern dry cladding – permits rapid and clean alterations almost without any soiling in just a few days. Even luxurious bathrooms can become reality using the flexible Rapid SL system. Uniset is the ideal system when traditional masonry work is to be used and where speed is of the essence, even though great flexibility is to be practised for the different installation situations.



GROHE SANITARY SYSTEMS OVERVIEW

RAPID PRO

A STRONG CONNECTION





RAPID SL

THE RIGHT FRAME FOR EVERY
SANITARY APPLICATION

PAGE 50



UNISSET

STUDDED WALL INSTALLATION SYSTEM
FOR WALLING-IN

PAGE 90

GROHE PROFESSIONAL
WORK SMARTER



GROHE RAPID PRO

A STRONG CONNECTION

Rapid Pro from GROHE is the professional modular system for customised bathrooms. Virtually all frame structures – for studded-wall installations as well as room-height and freestanding walls – are created using the key profile connector and profile components. They are extremely durable and ideal for workshop prefabrication to reduce installation time on site. When used in combination with GROHE Rapid SL elements, the system offers outstanding flexibility for all sanitary installation applications.



GROHE RAPID PRO A STRONG CONNECTION



- Flexible, modular system for creating installations for all sanitary applications: WC, bidet, wash basin and urinal elements, brackets for surface-mounted or concealed faucets for wash basins, showers and shut-off valves etc., as well as free-standing walls in customisable installation heights and widths
- Simplified bathroom design with unique architecture: e.g. as a room divider in any height
- High strength and dimensional stability of the connectors and profiles
- One-handed fitting and positioning; fastening by clicking in the connectors.



For our Rapid Pro we offer an extended guarantee of 10 years. Please find our detailed guarantee conditions on www.grohe.com

GROHE features:
VarioPort
ToolFree
Safety
SpareFlush



1. Strong and stable connections in 45°, 90° or parallel variants and for fastening wall brackets, clips etc.
2. Tolerance compensation up to 15 mm
3. Also parallel connections for fastening panels
4. 90° connection* for the frame structure
5. 45° connection* is ideal for corner installation of the wash basin or WC

* Other angles possible using range spacers

TECHNICAL FEATURES:

Simple connections for 45°, 90° angles or parallel profiles

Variable angle connections using range spacers

Practical tolerance compensation of 15 mm if the profiles are cut too short or at an angle

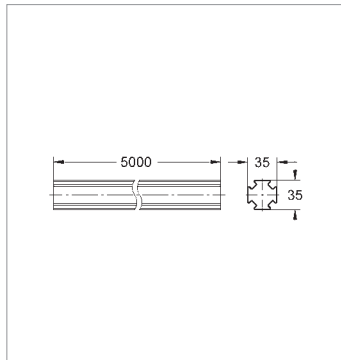
Rapid fastening to cladding elements using pre-mounted assembly brackets

Openings in the connector for fastening wall brackets, clips etc.

Includes panels for custom manufacture

Use of all Rapid SL elements.

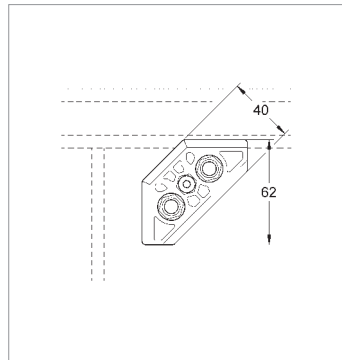
GROHE RAPID PRO MODULAR SYSTEM



39 019 000

Rapid Pro

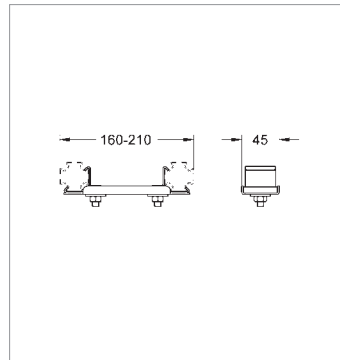
profile for semi-high and ceilinghigh wall constructions
hot galvanized
1000 x 35 x 35 mm
profile length 5000 mm



39 020 000

Rapid Pro

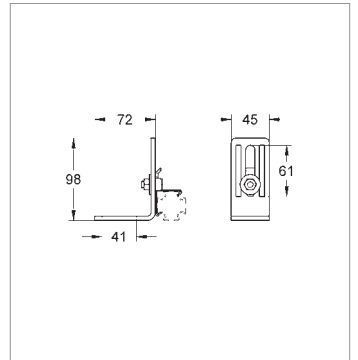
connector for creating connections of 90°, 45° and in parallel
zinc die-casting
completely pre-assembled



39 022 000

Rapid Pro

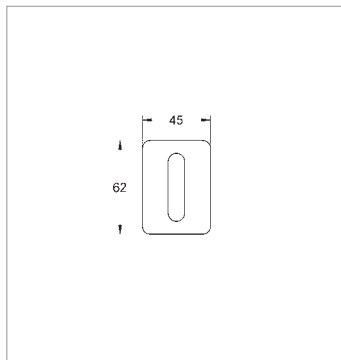
spacer for fixing and stabilizing the profile system and to arrange for variable profile connections
variable depth adjustment
hot galvanized



39 023 000

Rapid Pro

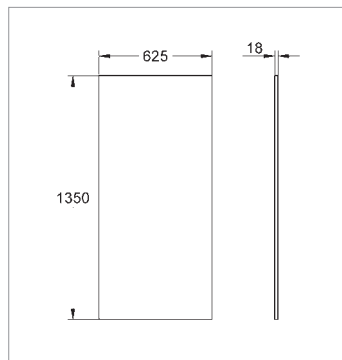
mounting angle for wall and floor fixing of profiles
hot galvanized
completely pre-assembled
fixing material



39 046 000

Rapid Pro

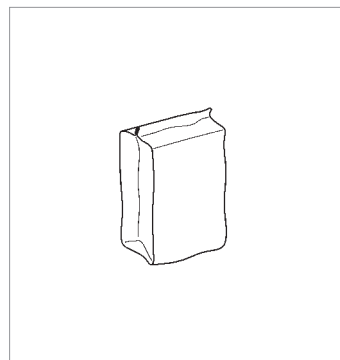
Set for noise protection for mounting angles
made of cork
self-adhesive
sales unit 10 pieces



39 026 000

Rapid Pro

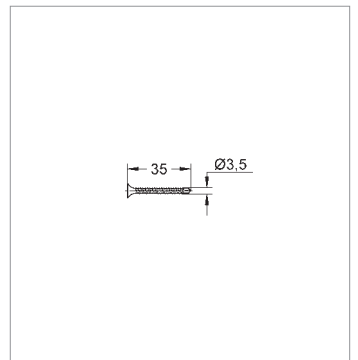
Cladding for single-layer cladding of the frame construction
gypsum fibre board
water-resistant



39 027 000

Rapid Pro

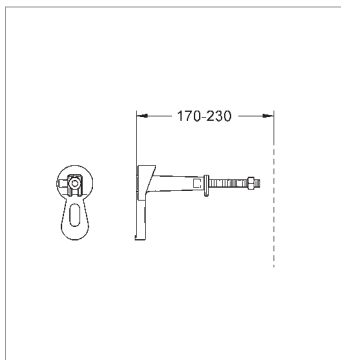
Joint filler
impregnated
5 kg



39 028 000

Rapid Pro

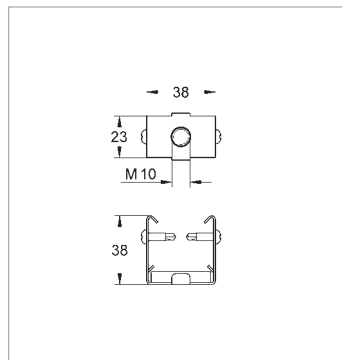
Self-tapping screws
250 pieces
35 x Ø 3.5 mm
self tapping screw head to fix gypsum hardboards



39 029 000

Rapid Pro

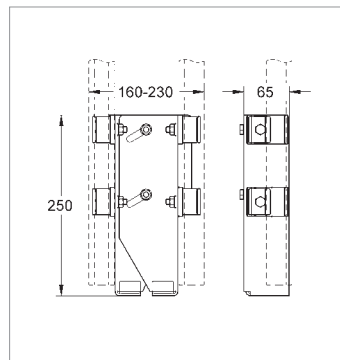
wall fixing for supporting the prewall installation
complete with wall bracket, locking screw and fixing material



39 024 000

Rapid Pro

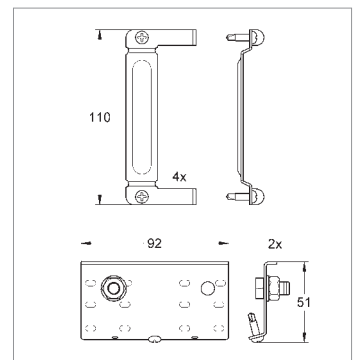
Fixing clip M 10 for fixing loads directly to the profile
steel clip with nut M 10
hot galvanized
10 pieces sales unit



39 025 000

Rapid Pro

Support device for free standing installation to stabilize freestanding installation walls
variable depth adjustment
hot galvanized, fixing material



39 049 000

Rapid Pro

Fixing set for the installation of Rapid SL elements in Rapid Pro consisting of 4 profile fixations
2 floor plates and fixing material



GROHE Whisper®

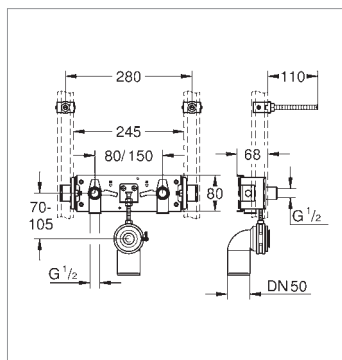


GROHE EcoJoy®



GROHE QuickFix®

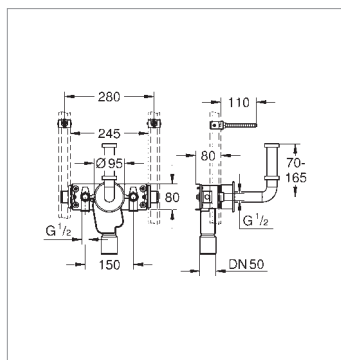
GROHE features:
VarioPort
ToolFree
Safety
SpareFlush



39 030 000

Rapid Pro

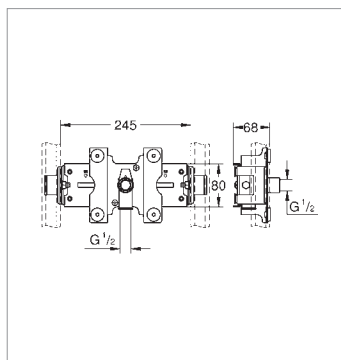
Support device for wash basins with basin mounted faucet
2 noise protected fitting connections 1/2", anti-torsion device fixing device for outlet bend



39 034 000

Rapid Pro

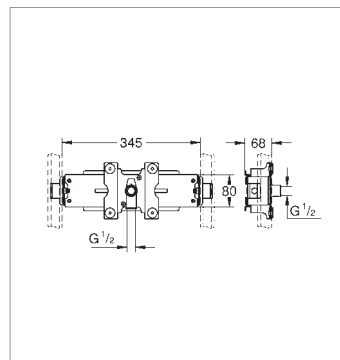
Support for wash basins with basin mounted mixer and concealed trap
2 noise protected fitting connections 1/2", rotation lock



39 035 000

Rapid Pro

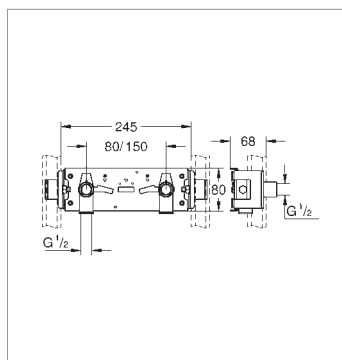
Fitting support for exposed fitting/ draw point
noise protected fitting holder 1/2" anti-torsion device with profile fixing



39 060 000

Rapid Pro

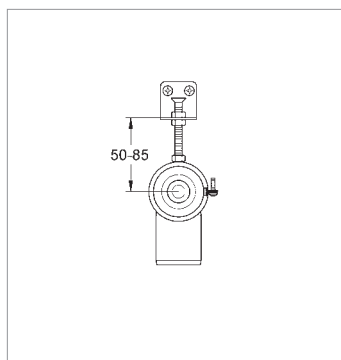
Fitting support for exposed fitting/ single draw point
noise protected fitting holder 1/2" anti-torsion device hot galvanized, with profile fixing



39 044 000

Rapid Pro

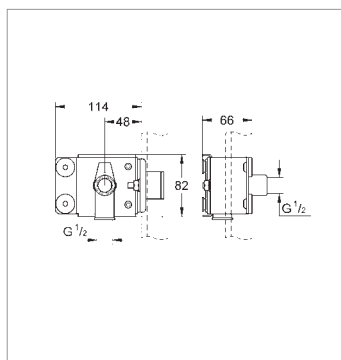
Support device for exposed fittings



39 051 000

Rapid Pro

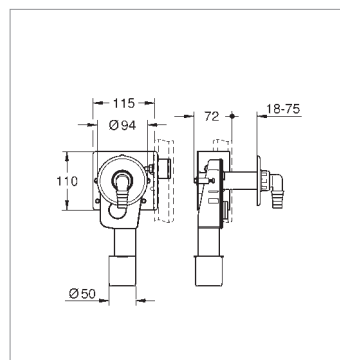
Waste clamp 2" with rubber insulation for fitting support 39 044 000



39 065 000

Rapid Pro

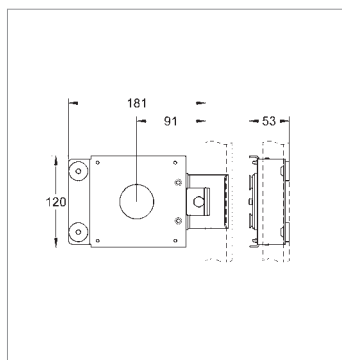
Fitting support for exposed fitting/single draw point
noise protected fitting holder 1/2" rotation lock one-side fixation, hot galvanized



39 040 000

Rapid Pro

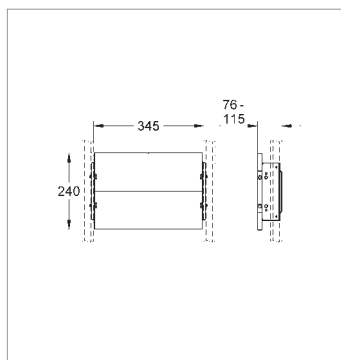
Support device for washing machine vertical or horizontal installation hot galvanized concealed trap DN 20



39 066 000

Rapid Pro

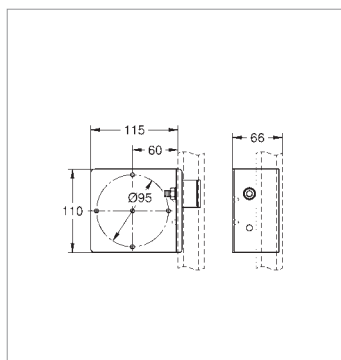
Fitting support for concealed side showers
one-side fixation connection from back hot galvanized



39 042 000

Rapid Pro

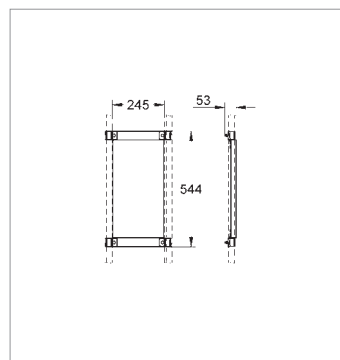
Support device for concealed fittings



39 064 000

Rapid Pro

Support for F-digital Deluxe temperature sensor for steam generator including fixing material one-side fixation, hot galvanized

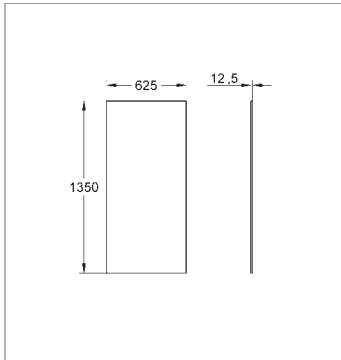


39 039 000

Rapid Pro

Fixing plate for connection of accessories and medium weight loads, plywood sheets, waterresistant, 245 x 460 x 20 mm

GROHE RAPID PRO MODULAR SYSTEM

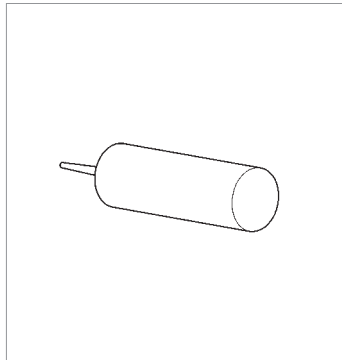


39 045 000

Rapid Pro

Cladding

for single-layer cladding of the frame construction
in water-stressed areas
sales unit 30 pieces

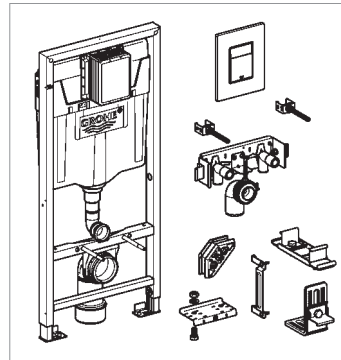


39 068 000

Rapid Pro

Cartridge

for gluing and filling of cladding 39 045 000
in water stressed areas

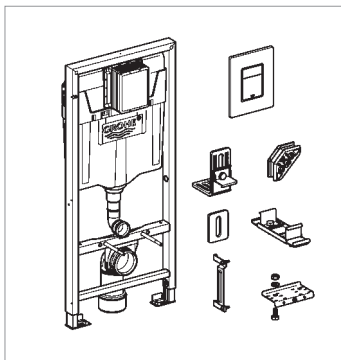


39 067 000

Rapid Pro Starter-Set

for WC/wash basin

for on-the-wall installation on a solid wall, dimensions up to height 1200 mm, width 3500 mm, depth 200 mm

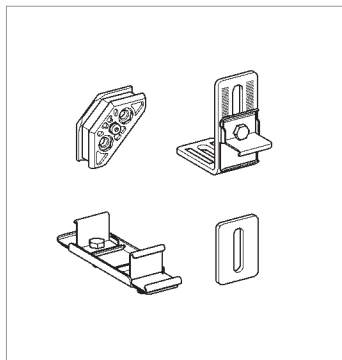


37 447 000

Rapid Pro Starter-Set

for WC

for on-the-wall installation on a solid wall, dimensions up to height 1200 mm, width 2000 mm, depth 200 mm

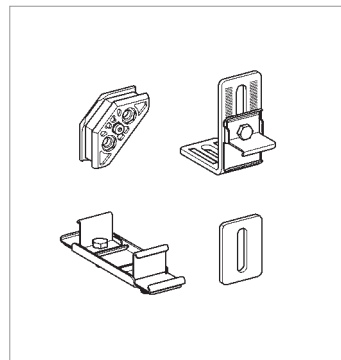


37 448 000

Rapid Pro Starter-Set

for on-the-wall installation

on a solid wall, dimensions up to height 1200 mm, width 2000 mm, depth 200 mm

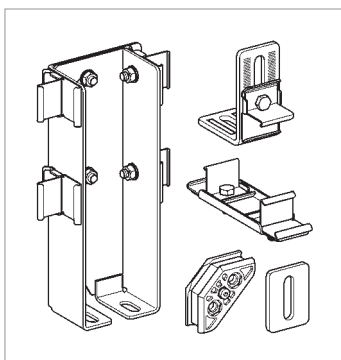
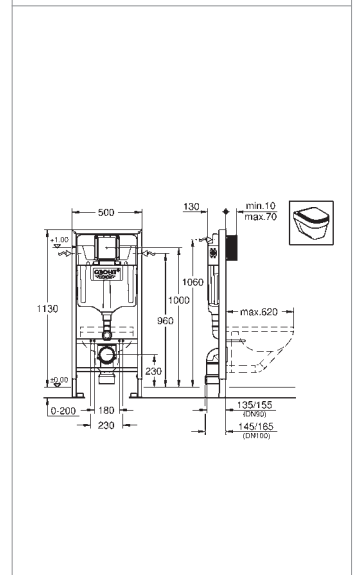


37 449 000

Rapid Pro Starter-Set

for shaft installation

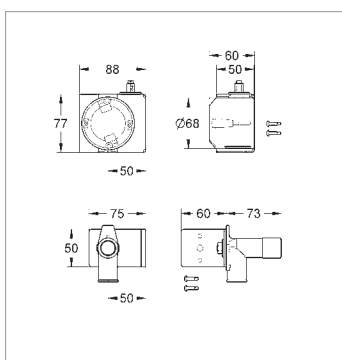
on a solid wall
dimensions up to height 2600 mm
width 1000 mm, depth 200 mm



37 450 000

Rapid Pro Starter-Set

for free standing room divider
dimensions up to height 1200 mm, width 1500 mm, depth 300 mm



38 925 000

Rapid Pro

Rapid SL connection set for shower WC, for all Rapid SL WC frames, noise protected fitting support with fitting holder \varnothing 15 mm, CE-approved



39 166 000

Wall shower drain

for Rapid Pro and wet wall (Uniset), made of ABS
for floor drainage of interior rooms
odour trap
22 mm height

38 528 001

Rapid SL for WC

with flushing cistern 6 – 9 l
dual flush/start & stop/single flush
connection from left/right/rear
1.13 m installation height



GROHE
Whisper®

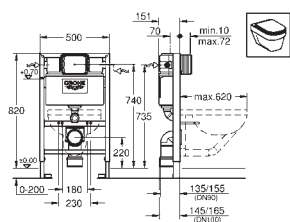


GROHE
EcoJoy®



GROHE
QuickFix®

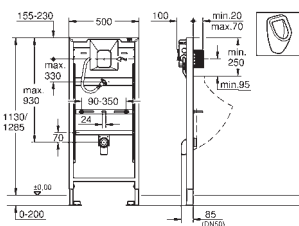
GROHE features:
VarioPort
ToolFree
Safety
SpareFlush



38 526 000

Rapid SL for WC

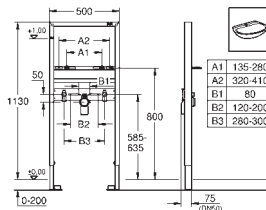
with flushing cistern 6 – 9 l
 dual flush/start & stop/single flush
 connection from left/right or rear
 0.82 m installation height
 actuation from front/above



38 786 001

Rapid SL for Urinal

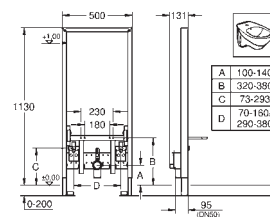
with GROHE Rapido U
 for manual actuation or infra-red
 electronic 6 V oder 230 V
 1.13 m and 1.30 m installation
 height



38 554 001

Rapid SL for Basin

for single hole installation
 1.13 m installation height



38 553 001

Rapid SL for Bidet

1.13 m installation height



GROHE RAPID SL

THE RIGHT FRAME FOR ALL SANITARY EQUIPMENT

Rapid SL is a universal programme for dry-panelling for WCs, wash basins, urinals, bidets, showers and baths in different installation heights. Whether in a single or row installation, or in front of a solid wall, with Rapid Pro profile or in front of or in a stud partition, Rapid SL installation elements live up to their name and can be installed anywhere, quickly and easily.



GROHE RAPID SL FLEXIBLE, RAPID AND SAFE

GROHE PROFESSIONAL
WORK SMARTER



- Versatile dry cladding for all sanitary equipment including wash basins, WCs, urinals, bidets, support bars and handles and faucet brackets in installation heights 1.30, 1.13, 1.00, 0.82 m
- Single or row installation in front of solid walls or in front of or for room-height installations in wood or metal stud partitions; Rapid Pro profile, free-standing installation or installation in front of 'weak' walls
- Fully preassembled elements – 'straight out of the box and onto the wall'
- TÜV-certified load-bearing capacity: 400 kg on the WC, 150 kg on the wash basin
- One waste valve for all cisterns and all flushing functions: single flush, dual flush, start/stop
- SpareFlush: for difficult flushing, there is an additional safety flush volume of 3 litres



GROHE
Whisper®



GROHE
EcoJoy®

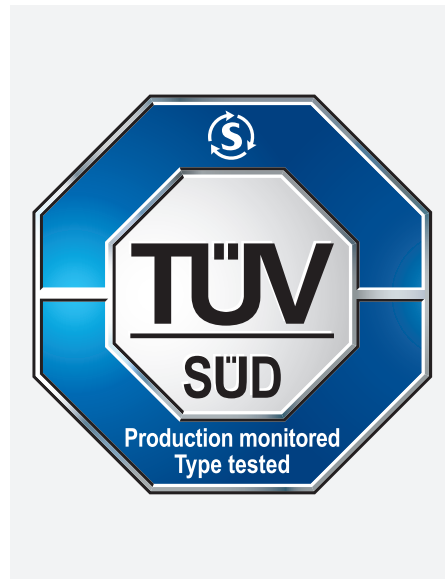
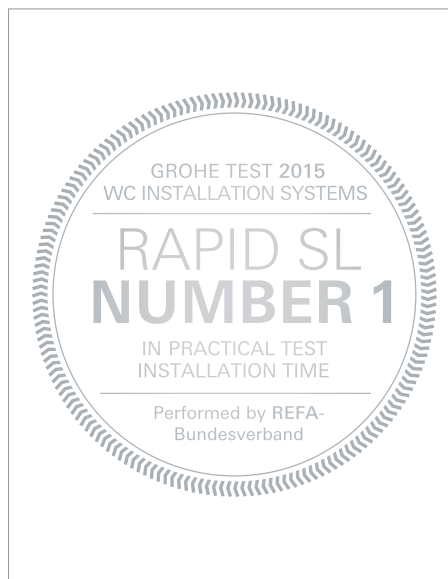


GROHE
QuickFix®



* For our Conceald flushing cisterns within Rapid SL we offer an extended guarantee of 10 years. Please find our detailed guarantee conditions on www.grohe.com

GROHE features:
VarioPort
ToolFree
Safety
SpareFlush



GROHE QuickFix® ensures flexible installation, shorter installation times and a straightforward completion whatever the sanitary floorplans dictate.

GROHE Whisper®. Thanks to decoupled pipe supports, there is no sound transfer to the structure of the building when the water is released from the cistern to the bowl

The high load-bearing capacity and the great stability of the frame has been tested by the German TÜV and is confirmed at more than 400kg.

TECHNICAL FEATURES:

Narrow installation depths: 135 mm for WC and 75 mm for wash basin

Rapid height adjustment with automatic prefixing of the set installation height

Wall mounting with rapid adjustment of the installation depth; precise adjustment of the depth from the front

360-degree swivelling wall holder, for avoiding gaps in the wall

Element feet with variable fixing points, for installation on a rail, on Rapid Pro profile, for installation in 50 or 75 mm U profiles

Fixing points for accessories; element installation without being attached to the floor

Fixing points for element installation in wood stud partitions

Elbow Ø 90 with reducer Ø 90/110

Installation of the waste bend without tools

Waste clamp with two-step depth adjustment

GROHE RAPID SL SAVING WATER



REDUCE OPERATING COSTS, CONSERVE RESOURCES

A significant proportion of drinking water that we use is the result of toilets being flushed. To ensure that we use our most precious resource responsibly and at the same time permanently reduce operating costs, GROHE has developed a range of technologies designed to save water. Technologies such as GROHE EcoJoy™ and EcoCare in sanitary systems help to reduce this 'second rent' of charges for drinking water and wastewater over the long term. GROHE EcoJoy™ reduces water consumption by around 50%. WC cisterns can be fitted with dual-flush technology, which allows the user to select the required volume – three or six litres, for example. The small button can also be used to stop the flushing operation earlier if required. Many GROHE actuation plates are designed to save water at the touch of a button. The volume required for flushing depends on the WC bowl used.

- The volume (low/high) depends on the WC bowl
- Wide range of dual-flush actuation systems available, which allow selection of the required volume for WC flushing mechanisms; small button also for stop function
- Basic flow volume setting made on the waste valve



GROHE
Whisper*

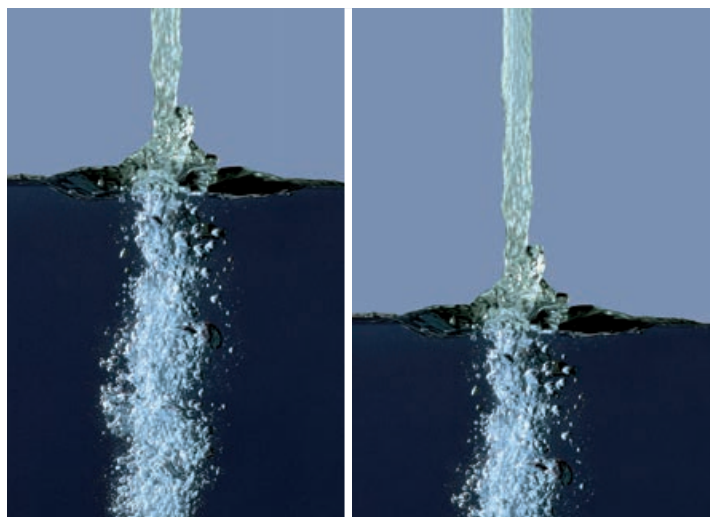


GROHE
EcoJoy*

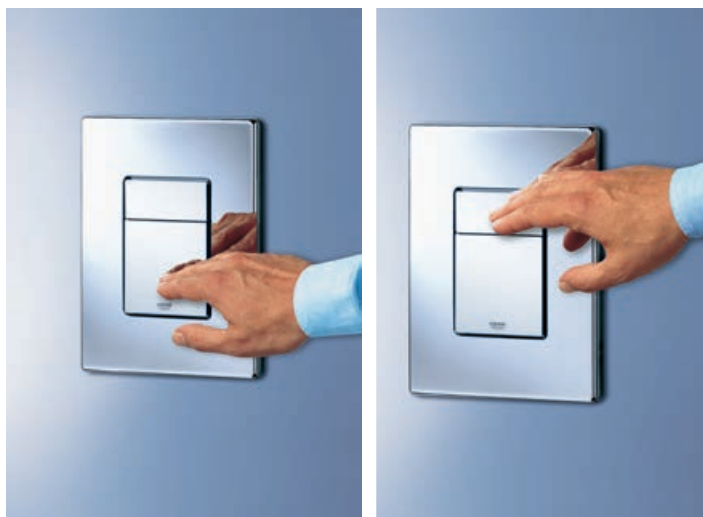


GROHE
QuickFix*

GROHE features:
VarioPort
ToolFree
Safety
SpareFlush



- 1. Press only the large button = you flush the entire contents of the cistern
- 2. Press only the small button = you flush the reduced water



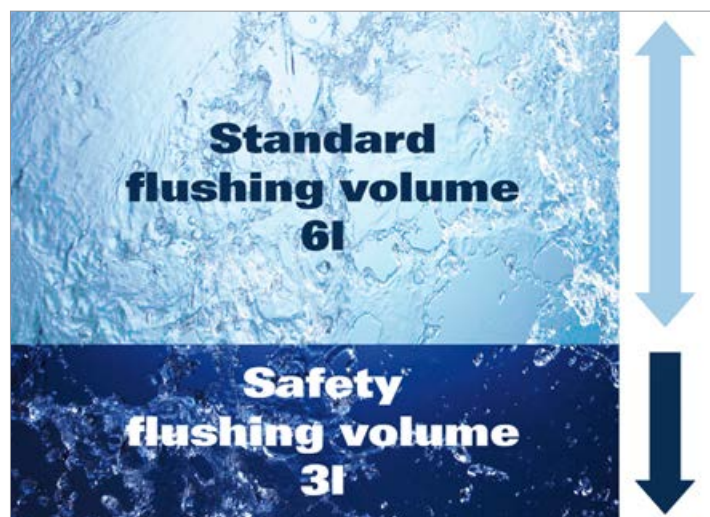
- 3. Press the small button after pressing the large button = you interrupt the flushing procedure

The numbers speak for themselves. It is not uncommon for the water/waste water price to be considerably more than this figure. This means that a modernised WC installation can easily save around 250.00 EUR per year. Water consumption toilet flushing per year.

Case Study:

- 4-person household
- Price of water incl. Waste water: 5.00 Euro/m³
- WC use per person per day: 6 x (2 x full flush, 4 x short flush)

CONSUMPTION SAVINGS	CONVENTIONAL WC FITTING 9 LTR., WITHOUT SHORT FLUSH	WC FITTING 9 LTR., WITH SHORT FLUSH 4.5 LTR.	WC FITTING 6 LTR., WITH SHORT FLUSH 3 LTR.
Consumption/Day	216 l	144 l	96 l
Consumption/Year	78 800 l	52 500 l	35 000 l
Savings over conventional installation per year		26 300 l = 131,50 €	43 800 l = 219,00 €



SpareFlush resolves flushing problems occurring with older waste water lines or while rinsing WCs. In addition to a flushing quantity of 6 litres, there is always a 3 litre safety flushing quantity available.

GROHE RAPID SL UP CISTERN + WASTE VALVE AV1

ECONOMICAL, EASY TO INSTALL AND MULTI-FUNCTIONAL

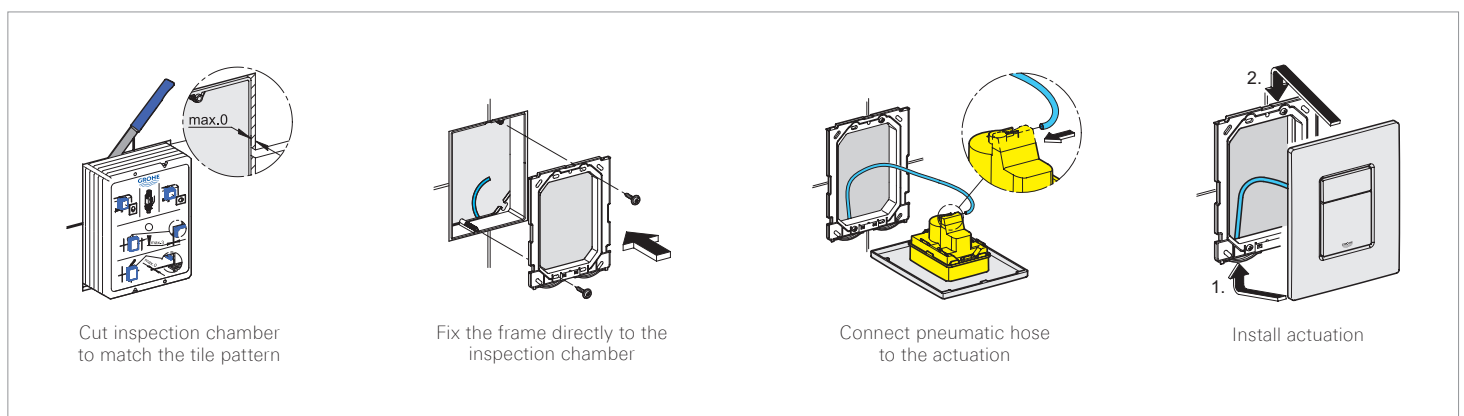
The GROHE concealed cistern is characterised by rapid installation and universal connection options. Another important installation advantage that delivers clear time savings is the fastening technology of the retaining frame for mounting the actuation plate directly on the cistern. Only two screws are needed for the retaining frame. There is no longer any need for separate depth adjustment.

The connection to the actuation plate is established simply by attaching the pneumatic hose, thanks to EasyConnect – no more measuring or cutting to length. An extensive range of attractive, small actuation plates adds the perfect finishing touch to this high-quality technology.

On the inside, the AV1 waste valve ensures reliable flushing with outstanding functionality. It can be used for single flush, dual flush and the start/stop function. The required flushing function is selected using the actuation plate.

- VarioPort: provides a range of water connection options including left, right, rear as well as top for cistern GD2
- Installation of the water connection, flexible hose and inspection chamber without tools
- SpareFlush: reliability and the choice of a six-litre to a nine-litre cistern
- Multi-functional waste valve AV1 for all cisterns and all flushing technologies: single flush, dual flush, start/stop
- EasyConnect: pneumatic connection for actuation plate for easy installation
- Inspection chamber, and thus also the actuation plate, can be installed horizontally and vertically without tools
- Simple filler or waste-valve maintenance without having to remove other components

Fixing of the frame for the actuation plate





EasyConnect

The actuation is connected to the AV1 by a hose. This means straightforward connection and maintenance without measuring or adjustment.



Direct link to all technical data

A QR code printed on each GD2 cistern links to information such as product number, spare parts and technical drawings. Simply scan with a mobile phone and follow the link.

Time saved thanks to the GROHE VarioPort with universal water connection from the top, back, right, left, irrespective of the position of the supply pipe. Tool-free installation if the water supply is installed in the flushing cistern.



TECHNICAL FEATURES:

Hydraulic filler valve for fast re-filling (six litres in 30 seconds; nine litres in 45 seconds)

Faucets group 1

Factory flow volume setting is six litres/three litres; the setting can be changed on site simply by adjusting the slider on the waste valve

No swapping – just one pneumatic hose for all functions

Duct for laying the supply line at the rear

GROHE RAPID SL

THE BENEFITS AT A GLANCE

Fast and simple installation for the WC – in individual as well as in-row installation – depends on all components being in perfect harmony with each other. Numerous special technical features and benefits from both product areas are combined to create a time-saving and economical solution.

ELEMENT

- [1] Points for securing the on-the-wall installation accessories, depth adjustment from the front and swivelling wall brackets
- [2] Wall support with quick-adjustment and additional fine adjustment
- [3] Universal for individual and row installation as well as for utilisation in lightweight studded wall partitions
- [4] Powder-coated surface
- [5] Points for securing studded wall partitions and element cladding
- [6] Noise separation of fittings and fixing devices according to DIN 4109
- [7] Load capacity 400 kg for WC, 150 kg for wash basin
- [8] Ø 90 outlet bend with reducer Ø 90/110
- [9] For 50/75 mm deep C profiles and element rails, element installation without fixing on the floor
- [10] 200 mm height adjustment

SPÜLKASTEN

- [11] Shaft for the installation of pipes at the back, water inlet from the left/right or back
- [12] Filler valve, faucets group I, fills a flow volume of six litres in 30 seconds; it can be used with a flow pressure of at least 0.5 bar.
- [13] ½" water inlet can be installed without tools with angle stop valve, replaceable spindle
- [14] Depending on the tile pattern or design requirements, the WC actuation plates can be installed either horizontally or vertically with the variable inspection chamber.
- [15] Tool-free latching of inspection shaft, frame for actuation plate is mounted with two screws only, for vertical oder horizontal use
- [16] A QR code printed on each GD2 cistern links to information such as product number, spare parts and technical drawings.
- [17] Pneumatic discharge valve with only one hose connection offering 3 modes of operation:
 - Dual flush
 - Start/stop
 - Single flush
- [18] SpareFlush eliminates problems when flushing the WC, thanks to a safety flush volume of three litres always being available in addition to the normal flush volume of six litres.

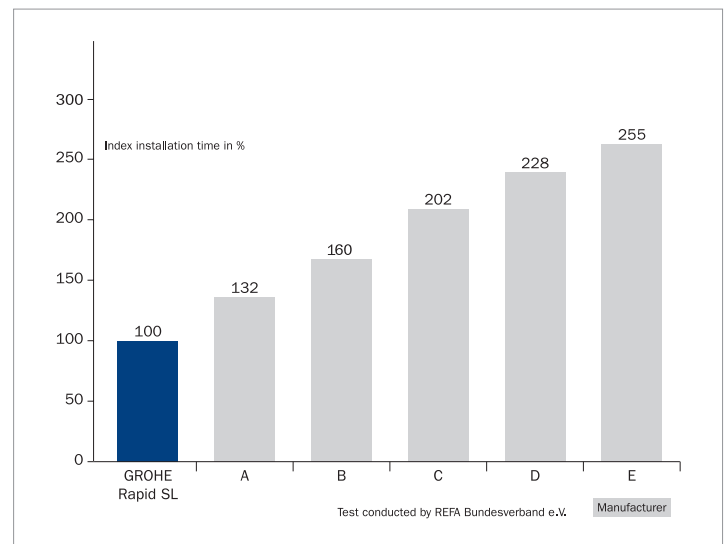


GROHE RAPID SL THE FASTEST INSTALLATION SYSTEM IN TESTS

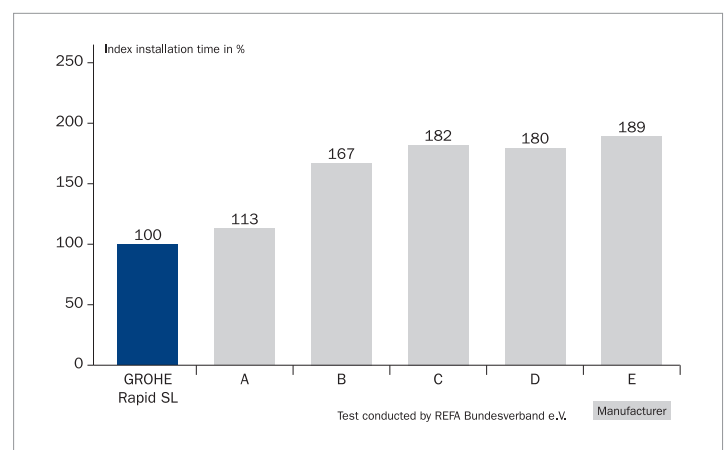


The REFA survey commissioned by GROHE is based on a comparison of the installation times and processes of six installation systems from leading suppliers of dry-panelling. The practical test was first carried out in 2007 and updated with follow-up tests carried out under the same conditions in 2009, 2011, 2013 and 2015.

The testers were installers from the Dortmund Chamber of Handicrafts. Five installations (rough assembly) and seven installations (final assembly) respectively were carried out on test walls. The installers worked in rotation, with all other conditions being the same. The complete test report is available at www.grohe.com



Complete on-the-wall installation
WC elements for dry-cladding with actuation



Complete installation on studded walls
WC elements for dry-cladding with actuation



Time savings of over 25% compared with the next best candidate. Compared with some competitors the difference may even be 100% or more.



Time savings of up to 90% in comparison with the competitor products tested. For every 1,000 WC elements installed, the total amount of working time saved equates to five full working weeks per year.

GROHE RAPID SL NOISE CONTROL ... AT THE HIGHEST LEVEL



DIN 4109 describes the permitted noise levels in areas requiring protection against noise from household equipment, which must also be observed in the case of sanitary installations. The values specified in DIN 4109/A1 or DIN 4109, Supplement 2, are the generally accepted technical regulations. The renowned Fraunhofer Institute has confirmed the excellent noise-control properties of the GROHE Whisper® technology in Rapid SL and Uniset in its own tests. The excellent measurement results of all products meet the requirements of DIN 4109/A1, VDI 4100 or DIN 4109, Supplement 2. Deviating from standard noise control with 30 dB(A), DIN 4109/A1 defines:

- Increased noise control requirements with 27 dB(A)*
- Comfort noise control with 24 dB(A)*

* Applies to apartment buildings. For semi-detached and terraced houses, the values are 25/22 db(A)

- Noise control to DIN 4109 with separation of faucets and brackets; use in areas with the highest noise control requirements
- Low-noise faucets and decoupled pipe supports prevent noise from being transferred to the structure of the building
- Comfort noise control: 16 dB(A) with GROHE Uniset; standard requirement is 24 dB(A)
- Benefits include increased comfort for users, particularly in hotels, residential care homes, etc. Improved living conditions and efficiency of old and new buildings
- TÜV symbol and certification for noise control indicate the high quality of Rapid SL



GROHE
Whisper®



GROHE
EcoJoy®



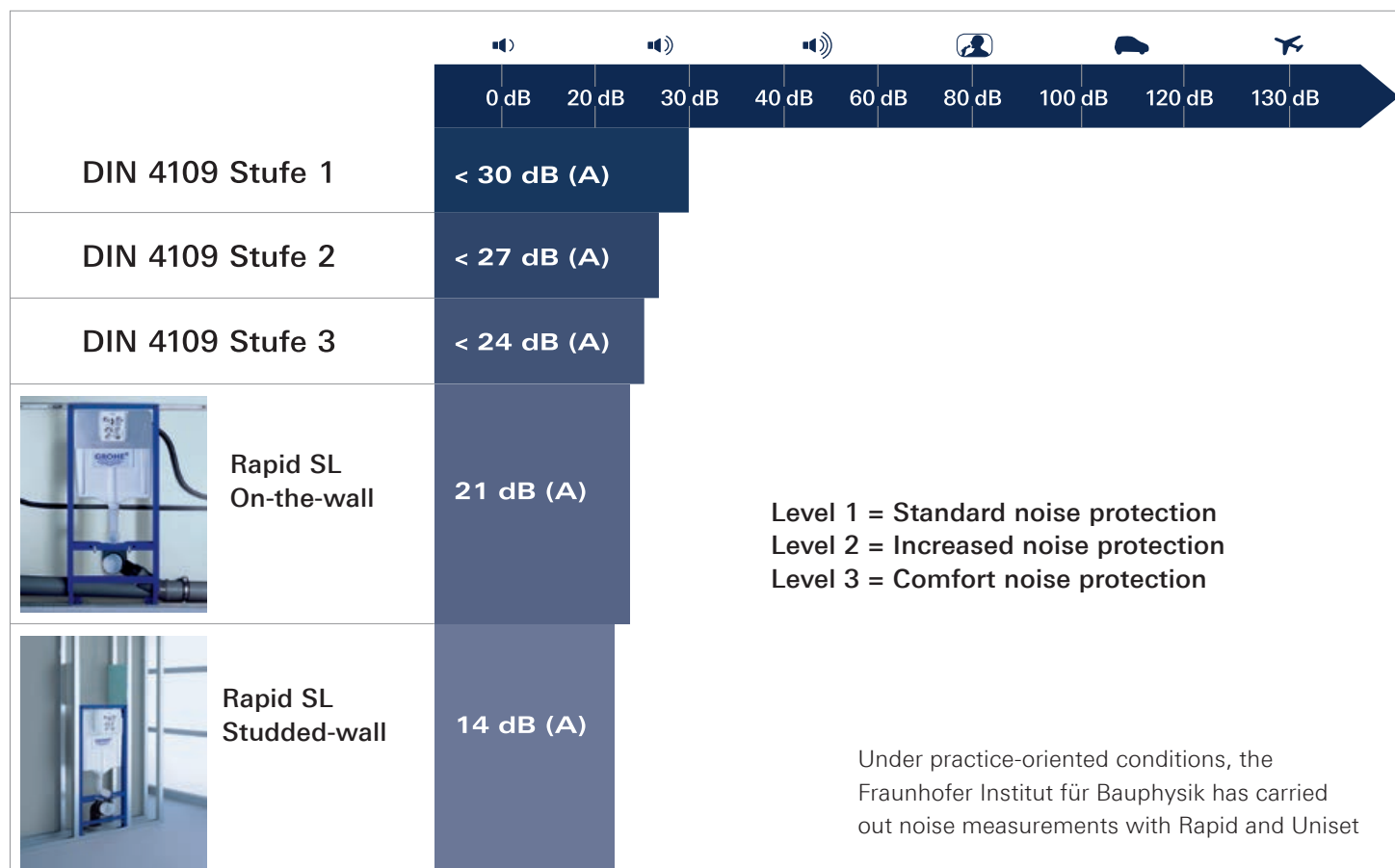
GROHE
QuickFix®

GROHE features:
VarioPort
ToolFree
Safety
SpareFlush



GROHE Whisper®

For peace, comfort and design freedom, our concealed cisterns feature GROHE Whisper® technology. Thanks to decoupled pipe supports, there is no sound transfer to the structure of the building when the water is released from the cistern to the bowl. Allowing the WC to be located in the most convenient location without fear of disturbing others.



GROHE RAPID SL INSTALLATION: FITTED PERFECTLY IN JUST A FEW STEPS

Rapid SL lives up to its name, with fast, reliable installation. Installation can take just 14 minutes for single installation on the WC or ten minutes per wash basin for row installation. Conventional panelling wall installation in front of a solid wall as a single installation – as well as space-saving corner installation – is just as easy to master as row installation, ceiling height installation in a lightweight stud partition, free-standing installation and installation in the Rapid Pro profile system.

Individual and fast: single installation. Studded-wall installation in front of masonry



Efficient and precise: studded-wall installation as row installation on a rail

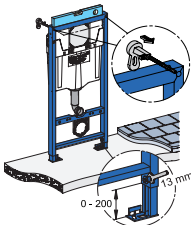
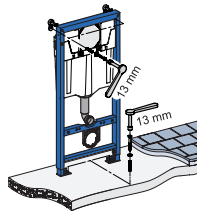
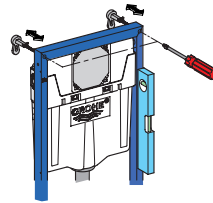
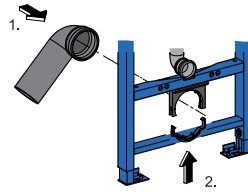


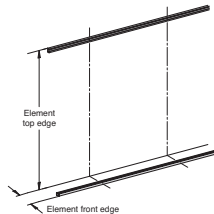
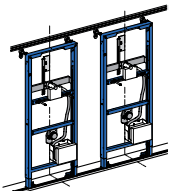
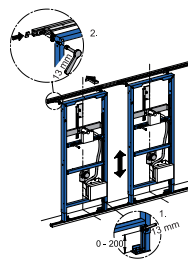
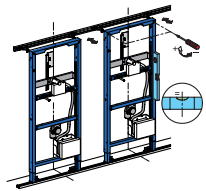
Fast and easy: installation in lightweight stud partitions

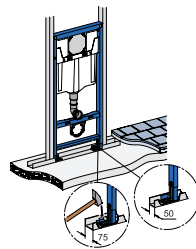
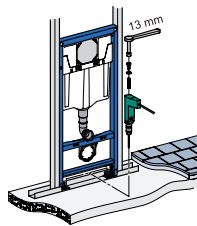
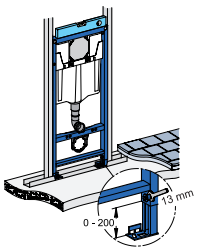
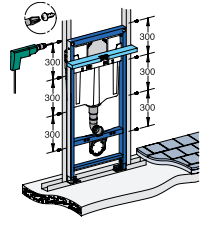


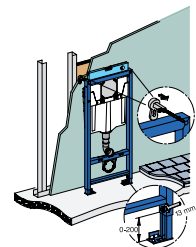
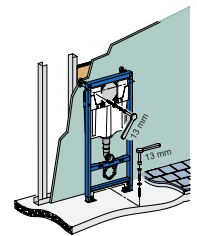
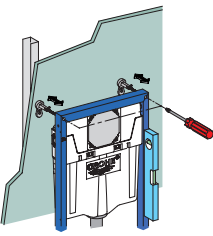
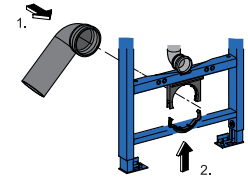
Extra storage space: installation in front of lightweight metal or wood stud partitions



<p>1</p>  <ul style="list-style-type: none"> • Draw the measurement lines • Adjust element height • Mount wall bracket • Draw the drilling holes 	<p>2</p>  <ul style="list-style-type: none"> • Drill the fixing holes • Secure element in place 	<p>3</p>  <ul style="list-style-type: none"> • Align element 	<p>4</p>  <ul style="list-style-type: none"> • Mount outlet bend
--	---	--	---

<p>1</p>  <ul style="list-style-type: none"> • Install floor and wall rail 	<p>2</p>  <ul style="list-style-type: none"> • Mount wall bracket • Place element on base rail • Secure in place 	<p>3</p>  <ul style="list-style-type: none"> • Pull up element • Hang wall mounting and secure 	<p>4</p>  <ul style="list-style-type: none"> • Align vertically • Secure lock nuts
--	--	--	---

<p>1</p>  <ul style="list-style-type: none"> • Set element in the floor profile 	<p>2</p>  <ul style="list-style-type: none"> • Drill, secure element base in place 	<p>3</p>  <ul style="list-style-type: none"> • Align element 	<p>4</p>  <ul style="list-style-type: none"> • Secure element in place on the C profiles
--	---	--	---

<p>1</p>  <ul style="list-style-type: none"> • Draw the measurement lines • Adjust element height • Mount wall bracket • Draw the drilling holes 	<p>2</p>  <ul style="list-style-type: none"> • Align Drill, secure element base in place 	<p>3</p>  <ul style="list-style-type: none"> • Align element 	<p>4</p>  <ul style="list-style-type: none"> • Mount outlet bend
--	---	--	---

GROHE RAPID SL READY-TO-TILE PANELS.

PREFABRICATED FOR A PRECISE FIT

Rapid SL-panels are ready-to-tile plaster fibre boards for interior installation. They are available to match the different elements – complete with all of the required cutouts for faucets, fastenings, inlets and outlets. This precisely cut prefabrication ensures reliability as well as faster and easier installation. The 12.5 mm-thick panels are vapour-porous, noise-dampening and water-resistant. They meet the fire-protection requirements of DIN 4102 'Fire behaviour of building materials and building components' and have been categorised as Construction Materials Class A2 (non-flammable).

SEALING SYSTEMS

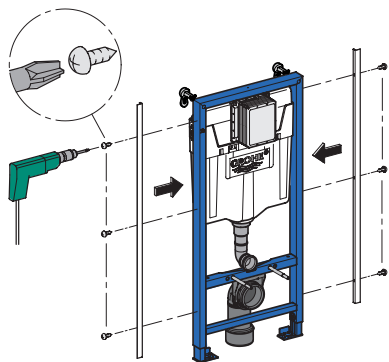
Thin-bed adhesive or liquid membranes are suitable for dry-panelling in areas exposed to low (Class 0) or moderate (Class A01) levels of moisture. The products are applied directly to the primed plasterboard or plaster fibre board under the tiles. According to DIN 18195-5, bituminous sheeting or plastic sealing membranes can also be used. In areas exposed to high levels of moisture (Class A1 or higher), only sealing systems with general technical approval in combination with cement-bonded building boards are permitted.

JOINING TECHNIQUE FOR RAPID SL PANELS

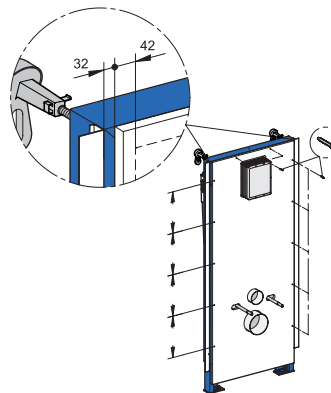
Joining can be accomplished without spackle and without adhesive if:

- The joint is backed by a profile and there is a directly fixed connection between them
- The joints are very close together (joint 1 mm) or are filled with tile adhesive
- The surfaces are not higher than 1.20 m
- The surfaces are completely tiled
- The drying times for filling materials, tile adhesive and joint material have been observed

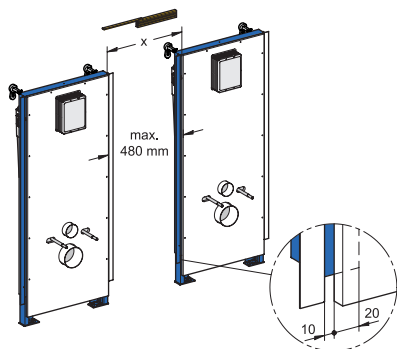
For on-the-wall installations up to 1.13 m.



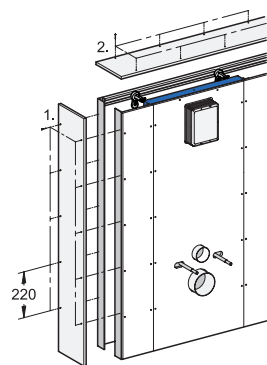
1. Secure the metal profile flush with the front edge of the element using the self-tapping screws.



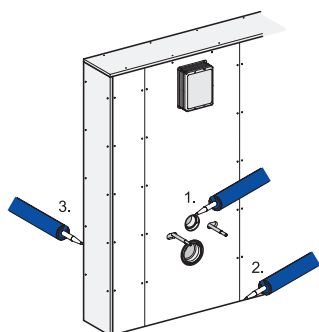
2. Adjust the length of cladding. Secure the cladding in place on the element flush at the top using the self-tapping screws. Leave 10 mm free at the sides as supports for the intermediate claddings. Clearance of 10 mm to floor and wall inlets.



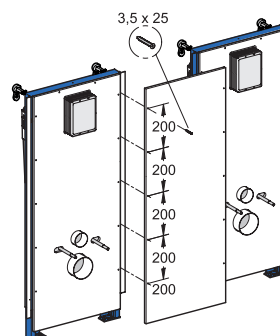
3. Measure out the clearances between the clad elements. Adjust intermediate claddings – they are supported 10 mm on the right and left-hand side supports – and secure them in the metal profiles with the self-tapping screws.



4. Cut side panels to size and secure in place to the wall brackets.
 A) Fixed cover: cut cladding to size and secure in place to the element.
 B) Removable cover: without cladding.



5. Wall and floor inlets are to be sprayed with permanently elastic joint material, as are the wall ductings after tiling has been completed.



Note:
 Alternatively the cladding can also be produced using gypsum plaster board measuring 2 x 12.5 mm or gypsum fibre board measuring 1 x 12.5 mm

GROHE SHOWER DRAINS ELEGANT DRAINAGE AND MAXIMUM SHOWER COMFORT



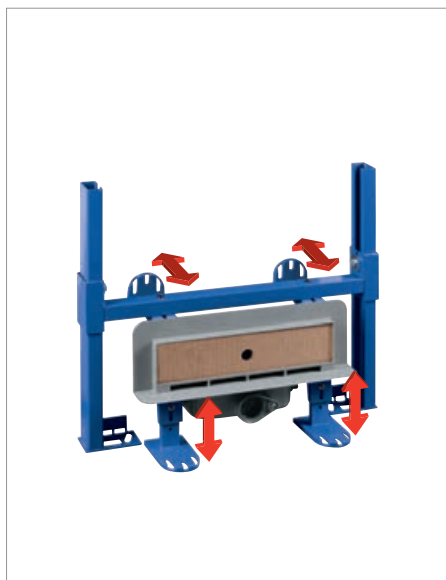
Walk-in showers add a sense of comfort to any bathroom, not only those with a need for barrier-free spaces, but increasingly also to designer bathrooms. As an alternative to having the drain integrated into the shower floor and connected to traditional drainage channels, shower drains are a neat solution and complement the minimalist look of modern bathrooms.

GROHE's integrated-flush shower drains are suitable for all types of installation. They are easy to install using GROHE Rapid SL and Rapid Pro wall installation components, or using Uniset on traditional masonry walls. They come in a choice of four high-grade panels, three stainless steel variations (V2A), as well as an "invisible" version for tiling, meaning they will work well aesthetically with any bathroom design.

During first fix installation, the height can be adjusted to the inlet edge; during panel installation, further adjustments can be made. Cleaning the drainage system is quite simple. You can remove the odour seal and the hair trap without using any tools. As an alternative to the standard enclosed odour seal, a multi-stop foam and odour barrier is available. This is also a good solution for drains that tend to dry up frequently.

The flow capacity is 0.5l/sec (30l/min). Rubberised mounting feet provide sound insulation and minimise noise transfer to adjoining spaces.

- Shower drain as a design-oriented alternative to drainage channels and drains integrated into the shower floor in walk-in or barrier-free showers
- Rapid SL Element for installation in front of solid masonry or in wood or metal stud walls
- Flexible installation heights and wall clearance, simple adjustment to tile thickness
- Simple maintenance and cleaning



Simple and flexible height and depth adjustment



Flexible connection for waste water (right, left or centre)



A choice of four good-looking, high-grade covers

TECHNICAL FEATURES:

Flow capacity:
0.5 l/sec. = 30 l/min.

Odour seal with water trap
height 22 mm

Flexible connection for
waste water (right, left or
centre)

Drain connection DN 50

ABS plastic housing

Height adjustment
(inlet edge of tiles)

Sound insulation as a result
of rubberised mounting feet

PRODUCT RANGE

Suitable for all installation situations:
dry cladding using Rapid SL and Rapid Pro, traditional masonry
work using Uniset

GROHE RAPID SL WC ELEMENT FOR GRAB RAILS



TECHNICAL FEATURES:

Compact width of 900mm

Perfect for mounting all standard brands of grab handles with a reach of up to 700mm

Height adjustment for disabled people

Frame designed for WCs with a projection of up to 700mm

GD2 cistern with 6–9 litres of flow volume

Manual flush actuation (single flush or dual flush) using infrared or wireless control

The fully preassembled Rapid SL component for grab rails has a compact width of 900mm and includes mounting plates pre-attached to the frame. These are installed behind the wall together with the component and can be used to install all standard brands of grab handles. Designed to meet the needs of wheelchair users and other persons with reduced mobility, the installation height of the WC can be easily adjusted.

The standard flow volume of the integrated cistern is adjustable from 6 to 9 litres (6 litres ex-works). To fit the tiling pattern and the customer's design requirements, all GROHE actuation plates can be installed vertically or horizontally.

- Stud wall installation components for WCs with integrated mounting plates for grab handles
- Fully preassembled components "from the packaging directly to the wall"
- Single installation in front of solid walls or for room-height installation in wood or metal stud partitions
- Suitable for all WC actuation plates (manual, electronic), horizontal or vertical installation, remote control possible



GROHE
Whisper®



GROHE
EcoJoy®



GROHE
QuickFix®

GROHE RAPID SL INSTALLATION ELEMENT FOR SHOWER WC



TECHNICAL FEATURES:

Installation height 1.13 m

Cistern 6 to -9 l,
factory-set 6l and 3 l

Install inspection chamber horizontally
and vertically without any tools

Noise class / Faucet group I

Electrical connection for
shower WC required

The Rapid SL wall installation component (item no. 39112000) enables safe, simple, rapid and convenient installation of GROHE shower WCs. A joint pipe for the passage of the flexible hose comes pre-assembled and connects the shower WC to the service valve in the cistern.

To facilitate the electrical connection, a hollow-wall back box for the installation of the flush-mounted socket behind the WC, as per predetermined drilling dimensions, and a mounting for the electrical cable are already included.

It comes fully preassembled, including the Rapid SL wall bracket, and can be used directly from the packaging. The shower WC installation component has all the usual advantages of Rapid SL in terms of installation, functionality and design.

- Wall installation component for GROHE shower WCs
- Including spare tube for water connection and hollow-wall back box for electrical connection
- Single installation in front of solid walls or for room-height installation in wood or metal stud partition
- Fully preassembled elements "from the box directly to the wall"
- Universal platform – suitable for all manual and electronic GROHE WC actuation plates (130 options)



GROHE
Whisper®



GROHE
EcoJoy®



GROHE
QuickFix®

GROHE features:
VarioPort
ToolFree
Safety
SpareFlush

GROHE RAPID SL FLAT ELEMENT FOR NARROW BATHROOMS

GROHE PROFESSIONAL
WORK SMARTER



TECHNICAL FEATURES:

Element distance for vertical
wastewater pipes is 95 mm.

For horizontal wastewater pipes
the distance is 150 mm

Cisterns between six and nine litres,
factory settings are six litres and
three litres

Adjustable inspection chamber
with structural shell protection

Noise class/Faucets group I

To make the best possible use of the space available in narrow bathrooms, GROHE has developed Rapid SL studded-wall installation elements, which have a slimmer installation depth. This solution takes up much less space than other products, thus leaving more room for movement and for sanitary accessories. The studded-wall installation elements also offer all of the other advantages of Rapid SL with regard to installation, functionality and design.

- WC studded wall-installation elements with reduced installation depth for narrow bathrooms
- Single installation in front of solid walls or in front of or for room-height installations in wood or metal-stud partitions
- Fully preassembled elements – ‘straight out of the box and onto the wall’
- Suitable for all WC actuation plates, vertical installation



GROHE
Whisper®



GROHE
EcoJoy®



GROHE
QuickFix®

GROHE features:
VarioPort
ToolFree
Safety
SpareFlush

GROHE RAPID SL WC ELEMENT WITH CONNECTION TO A VENTILATION SYSTEM



TECHNICAL FEATURES:

Flush pipe with 50 mm connection
for odour extraction

Installation height 1.13 m. Cisterns
between six and nine litres

Factory settings are six litres and three
litres. Adjustable inspection chamber
with structural shell protection

Noise class/Faucets group I

For WC systems with a connection to a ventilation system, GROHE has developed a Rapid SL element with a flush pipe for connection to the odour extraction system. Both the flushing technology and the ventilation can therefore be concealed in the dry-cladding behind the tiles. The studded-wall installation elements also offer all of the other advantages of Rapid SL with regard to installation, functionality and design.

- Rapid SL WC studded-wall installation elements including flush pipe with connection for odour extraction
- Single installation in front of solid walls or in front of or for ceiling height installations in wood or metal stud partitions; free-standing installation or installation in front of 'weak' walls
- Fully preassembled elements – 'straight out of the box and onto the wall'
- Universal platform – suitable for all manual and electronic WC actuation plates (130 options to choose from)



GROHE
Whisper®



GROHE
EcoJoy®

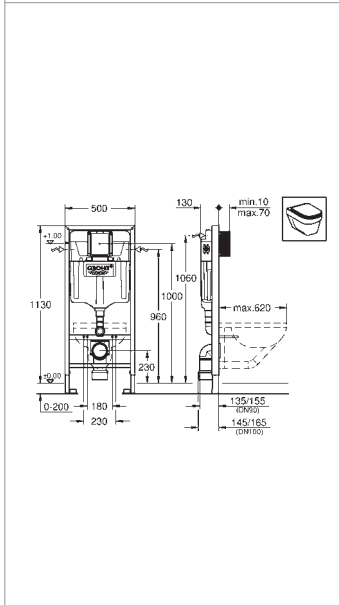


GROHE
QuickFix®

VarioPort
ToolFree
Safety
SpareFlush

GROHE RAPID SL FOR WC

GROHE PROFESSIONAL
WORK SMARTER



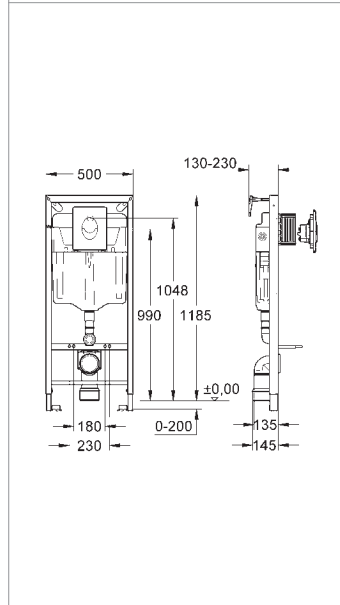
38 528 001

Rapid SL for WC

with flushing cistern 6 – 9 l
dual flush/start & stop/single flush
connection from left/right/rear
1.13 m installation height

38 897 000

with vertical support for WC
bowls with a bearing area
of less than 20 cm



38 722 001

Rapid SL 3-in-1 set for WC

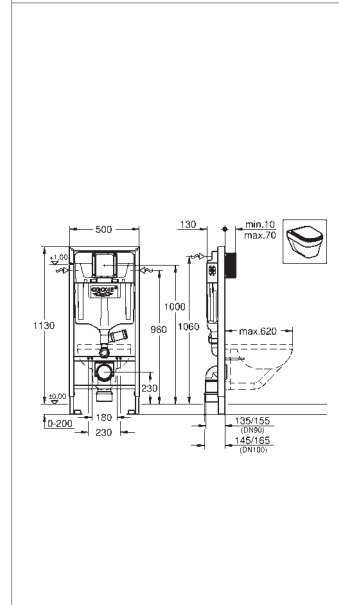
with flushing cistern 6 - 9 l
dual flush/start & stop/single flush
connection from left/right or rear
1.13 m installation height

with wall plate Skate Air and
accessories for on-the-wall
installation

38 764 001

Rapid SL 2-in-1 set for WC

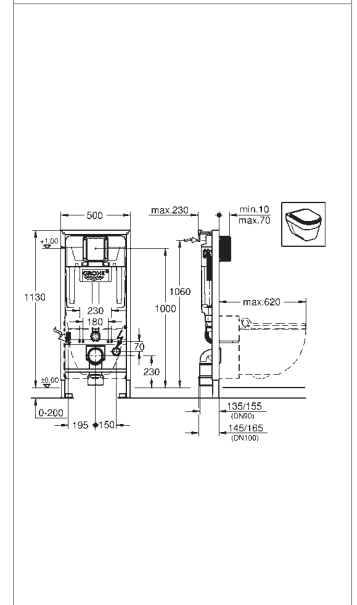
without accessories



39 002 000

Rapid SL for WC

flushing cistern GD 2
with flush pipe for external odour
extraction
with small maintenance access
1.13 m installation height
for on-the-wall installations or
studded walls



39 112 000

Rapid SL for shower WC

flushing cistern GD 2
with small maintenance access
1.13 m installation height, for
on-the-wall installations or studded
walls, flushing cistern GD 2, 6 - 9 l
adjustment ex factory 6 l and 3 l
pipe for GROHE Sensia® water
inlet, concealed socket for mains
supply, positioning help for
electrical connection, 2 wall
brackets with fixing material



GROHE
Whisper®

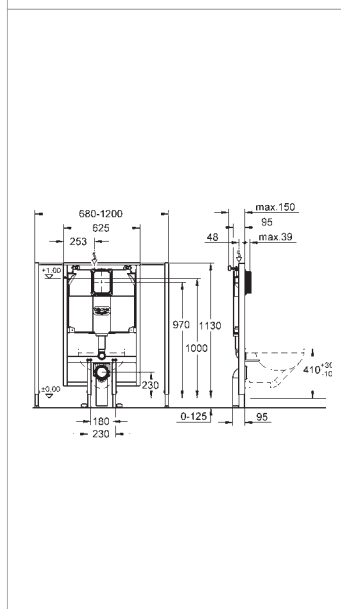
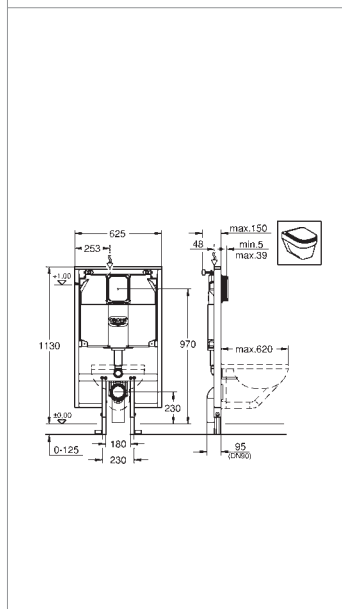


GROHE
EcoJoy®



GROHE
QuickFix®

VarioPort
ToolFree
Safety
SpareFlush

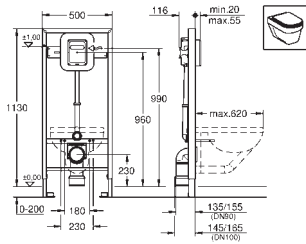


38 994 000
Rapid SL for WC
 for small, narrow bathrooms
 flushing cistern 80 mm
 with small maintenance access
 1.13 m installation height
 element width 0.62 m

38 995 000
Rapid SL for WC
 for small, narrow bathrooms
 flushing cistern 80 mm
 with small maintenance access
 1.13 m installation height
 element width variable, 1.0 - 1.2 m
 for on the wall installation

All Rapid SL elements can be universally used for on-the-wall installation in front of solid walls as well as in lightweight studded wall partitions

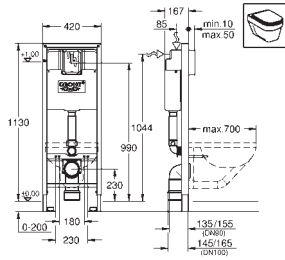
GROHE RAPID SL FOR WC



38 519 001

Rapid SL for WC

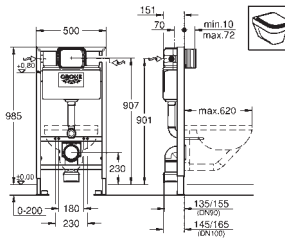
with flush valve 6 – 9 l
for manual/electrical actuation
1.13 m installation height



38 713 001

Rapid SL for WC

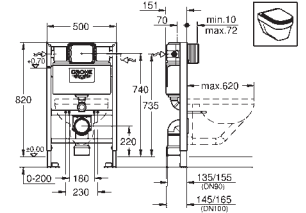
with flushing cistern 6 l
dual flush/start & stop/single flush
1.13 m installation height
width 0.42 m



38 525 001

Rapid SL for WC

with flushing cistern 6 – 9 l
dual flush/start & stop/single flush
1.00 m installation height
connection from left/right/rear
actuation from front/above



38 526 000

Rapid SL for WC

with flushing cistern 6 – 9 l
dual flush/start & stop/single flush
0.82 m installation height
connection from left/right or rear
actuation from front/above



GROHE
Whisper®

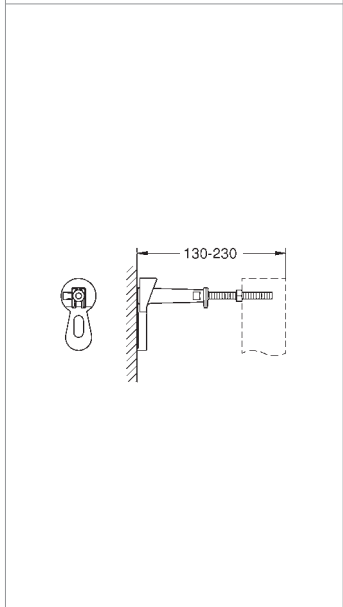


GROHE
EcoJoy®

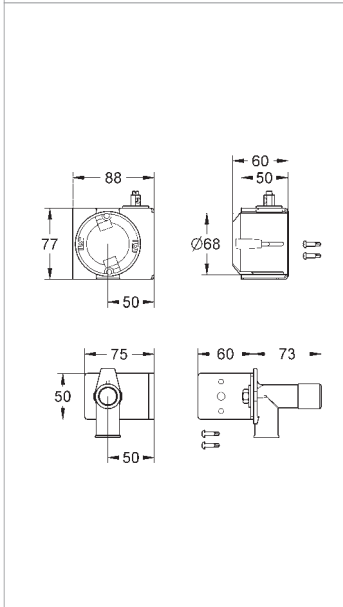
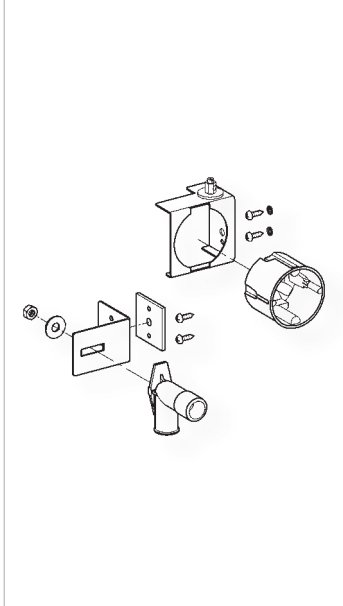


GROHE
QuickFix®

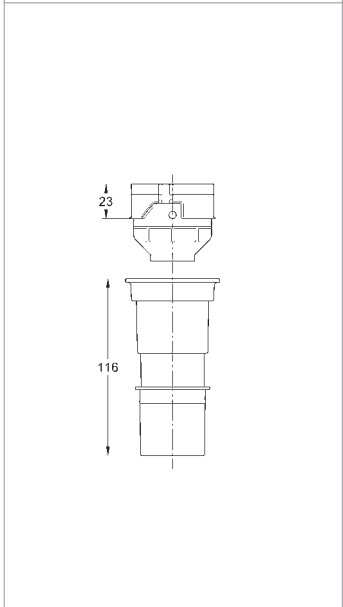
GROHE features:
VarioPort
ToolFree
Safety
SpareFlush



38 558 00M
Rapid SL wall brackets
 for wall installation, 2 pieces



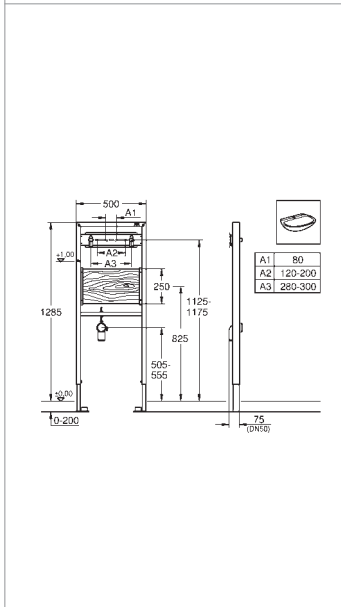
38 925 000
Rapid SL connection set for shower WC
 for all Rapid SL WC frames



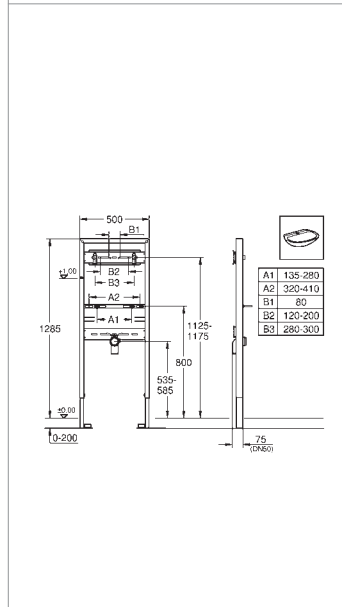
42 333 000
4,5l Adapter GD2

All Rapid SL elements can be universally used for on-the-wall installation in front of solid walls as well as in lightweight studded wall partitions

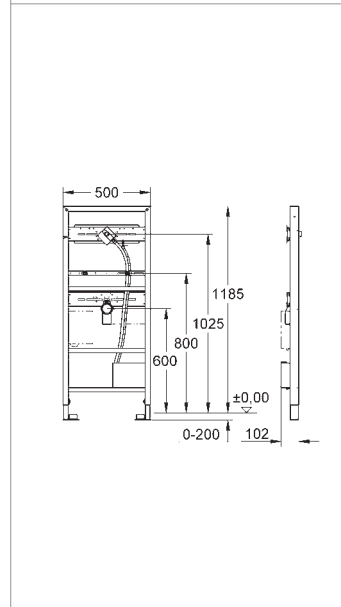
GROHE RAPID SL FOR WASHBASIN AND SINK



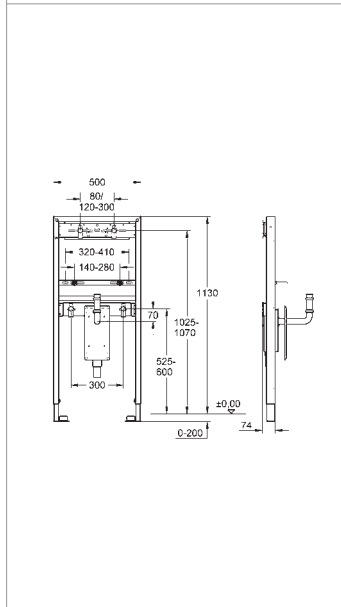
38 544 000
Rapid SL for sink
for wall mounted fittings
1.30 m installation height



38 546 000
Rapid SL
for wash basin
for wall mounted fittings
1.30 m installation height



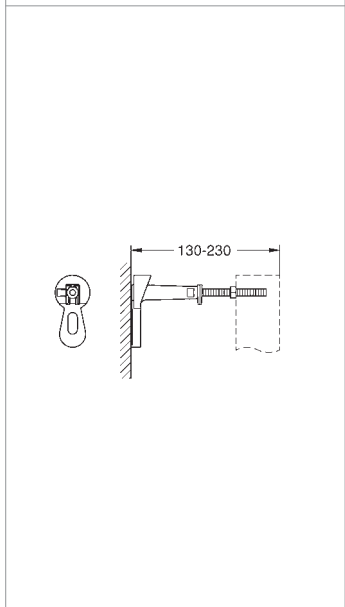
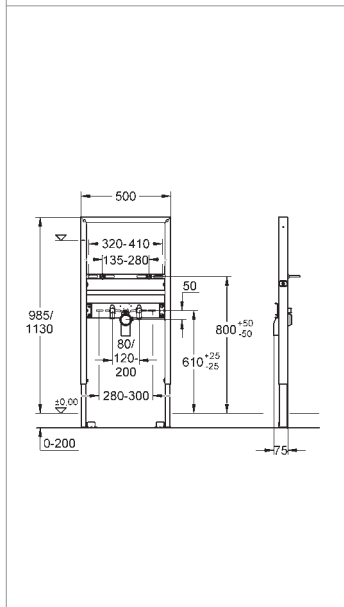
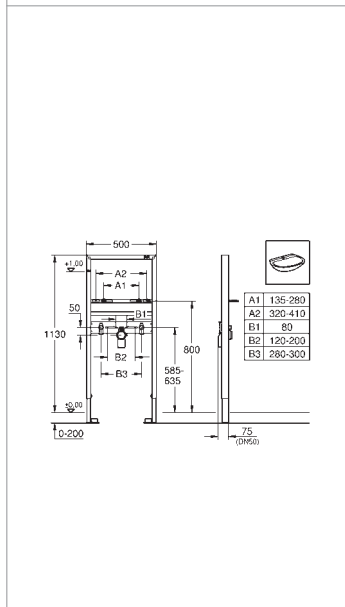
38 748 001
Rapid SL
for wash basin
with roughing-in set for infra-red
electronics Allure E, Essence E
and Europlus E
for installation with pre-mixed
or cold water
1.13 m installation height



38 625 001
Rapid SL
for wash basin
for single hole installation or wall
mounted fittings
with concealed trap
adjustable outlet bend
chrome plated
1.13 m installation height



VarioPort
ToolFree
Safety
SpareFlush



38 554 001
Rapid SL
for wash basin
 for single hole installation
 1.13 m installation height

38 541 000
 for single hole installation
 1.00 m installation height

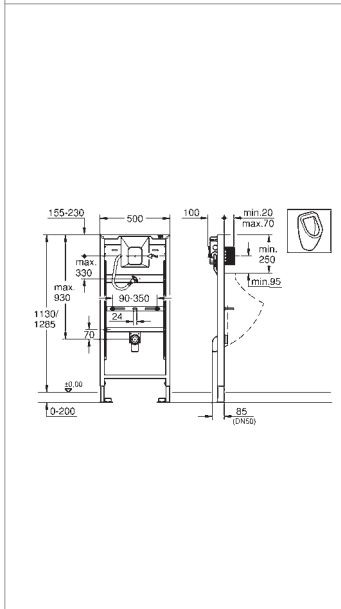
38 557 001
 without fitting connections

39 052 000
Rapid SL for wash basin
 height adjustable
 for single hole installation
 1.13 m installation height
 for on-the-wall installations or
 studded walls
 2 noise protected fitting
 connections 1/2"

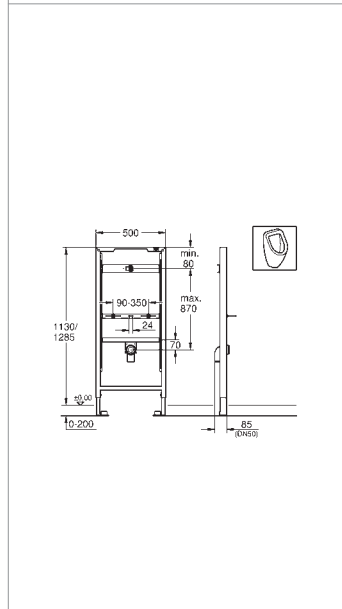
38 558 00M
Rapid SL wall brackets
 for wall installation, 2 pieces

All Rapid SL elements can be universally used for on-the-wall installation in front of solid walls as well as in lightweight studded wall partitions

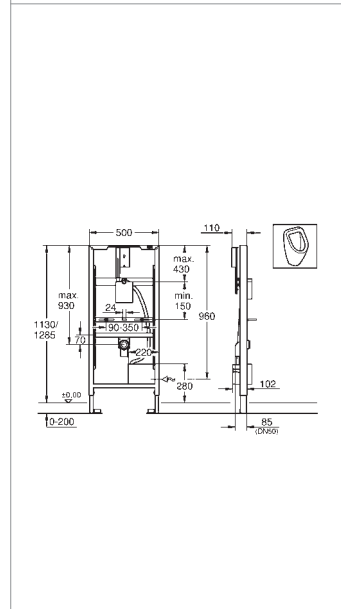
GROHE RAPID SL FOR URINAL



38 786 001
Rapid SL for urinal
 with GROHE Rapido U
 for manual actuation or infra-red
 electronic 6 V oder 230 V
 1.13 m and 1.30 m installation
 height



38 517 001
Rapid SL for urinal
 without fitting
 1.13 m and 1.30 m installation
 height

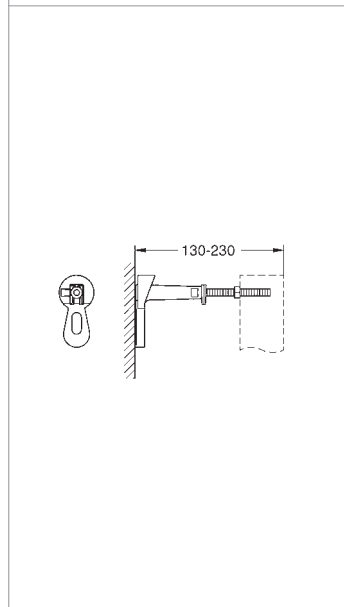
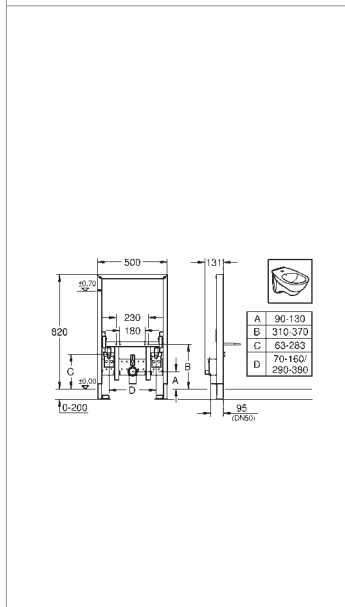
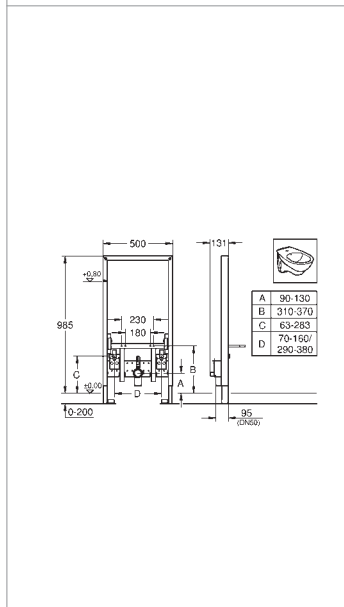
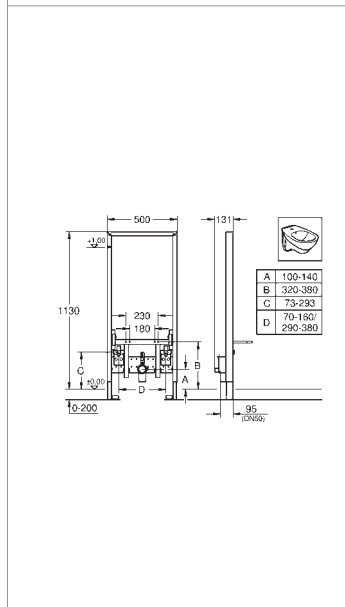


38 511 001
Rapid SL for urinal
 with roughing-in set for radar
 electronic, 1.13 m and 1.30 m
 installation height



GROHE features:
 VarioPort
 ToolFree
 Safety
 SpareFlush

GROHE RAPID SL FOR BIDET



38 553 001
Rapid SL for bidet
1.13 m installation height

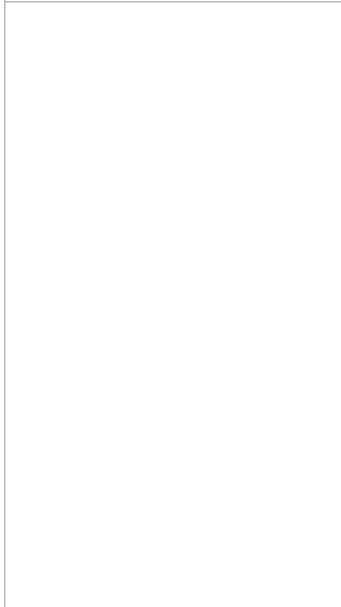
38 545 000
Rapid SL for bidet
1.00 m installation height

38 543 000
Rapid SL for bidet
0.82 m installation height

38 558 00M
Rapid SL wall brackets
for wall installation, 2 pieces

All Rapid SL elements can be universally used for on-the-wall installation in front of solid walls as well as in lightweight studded wall partitions

GROHE RAPID SL FOR SHOWER DRAIN



39 167 000
Rapid SL for wall shower drain
for on-the-wall installations or studded walls, powder coated steel frame, self-supporting, for dry-cladding, completely pre-assembled, fixing material, made of ABS, odour trap, 22 mm height for floor drainage of interior rooms flange for alternative sealing connection option at the front, on the left or right side
dimension: DN 50 (DA 50 mm)

39 168 000
Rapid SL for wall shower drain with Rapido T
1.30 m installation height
for on-the-wall installations or studded walls, powder coated steel frame, self-supporting for dry-cladding, completely pre-assembled, fixing material made of ABS, for floor drainage of interior rooms, flange for alternative sealing, connection option at the front, on the left or right side
dimension: DN 50

39 170 SD0
Invisible cover
stainless steel
can be tiled with wall tiles
stay length: 300 mm
tiles up to 10
width 296 mm
height 61 mm

39 171 SD0
Stainless steel cover
stay length: 300 mm
tiles up to 10
width 312 mm
height 74 mm



GROHE features:
VarioPort
ToolFree
Safety
SpareFlush



39 172 SD0

Stainless steel cover
 stay length: 300 mm
 tiles up to 17 mm
 width 312 mm
 height 67 mm

39 173 SD0

Stainless steel cover
 stay length: 300 mm
 tiles up to 10
 width 312 mm
 height 74 mm

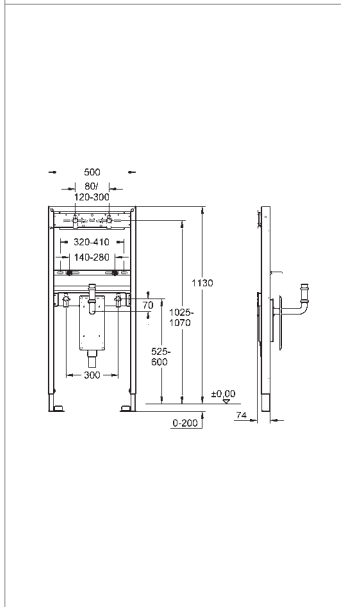
39 176 000

Multistop
 as an odour, foam, rodent and
 insect stop
 retro-fit for installed drainage
 systems

39 177 000

Hair sieve
 hair filter made from plastic
 material
 inlay for wall shower drain or
 multistop

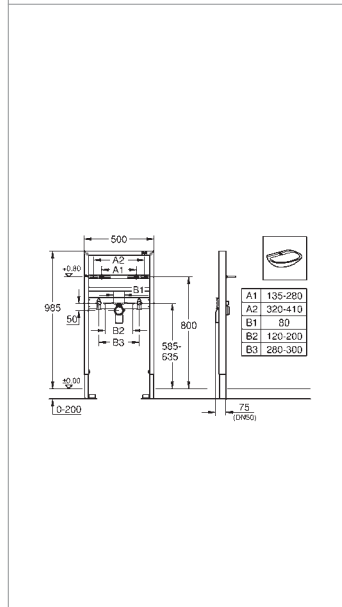
GROHE RAPID SL HANDICAP FOR WC, WASH BASIN – FOR DISABLED



38 625 001

**Rapid SL
for wash basin**

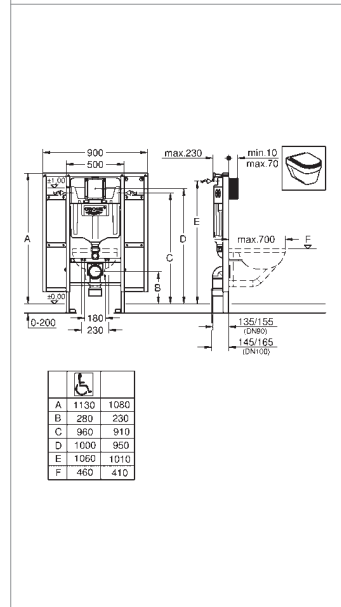
for single hole installation or wall
mounted fittings
with concealed trap
adjustable brass outlet bend
chrome plated
1.13 m installation height



38 541 000

**Rapid SL
for wash basin**

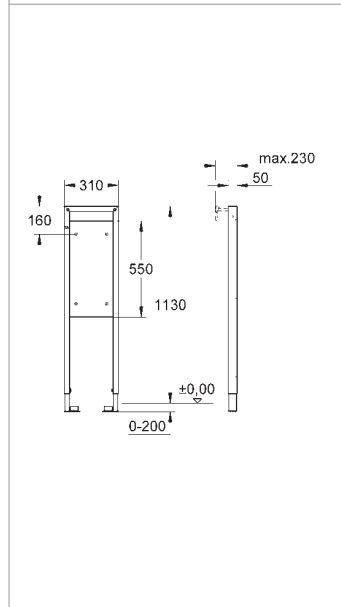
for single hole installation
1.00 m installation height
fixing for concealed drain trap



39 140 000

Rapid SL for WC

flushing cistern GD 2
with small maintenance access
1.13 m installation height
with fixing element for back
support and bars
for the disabled
for WC bowls 70 cm projection
for on-the-wall installations or
studded walls
for dry-cladding, completely pre-
assembled
with fixed connections



38 559 001

**Rapid SL
fixing element**

to fix support for the disabled
in lightweight studded wall
partitions or on-the-wall
installations



GROHE
Whisper®



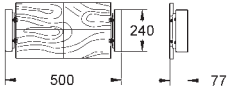
GROHE
EcoJoy®



GROHE
QuickFix®

VarioPort
ToolFree
Safety
SpareFlush

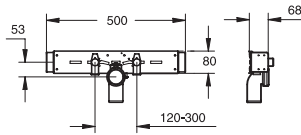
GROHE RAPID SL FOR BATH AND SHOWER



38 652 000

**Rapid SL
fitting support**

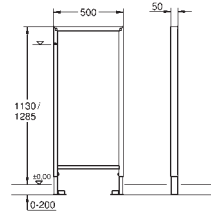
for concealed fittings and room ventilator, for lightweight studded wall partitions and empty elements, for GROHE Rapido



38 437 000

**Rapid SL
fitting support**

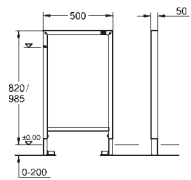
for sink, for lightweight studded wall partitions



38 548 001

**Rapid SL
empty element**

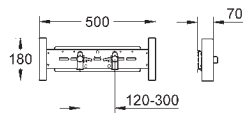
1.13 m installation height
for the installation of fitting



38 551 000

**Rapid SL
empty element**

1.00/0.82 m installation height



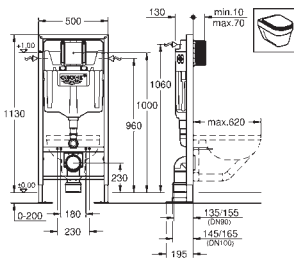
37 998 000

**Rapid SL
fitting support**

for exposed fittings, for studded walls, for empty frames
2 noise protected fitting connections 1/2", fixing material

All Rapid SL elements can be universally used for on-the-wall installation in front of solid walls as well as in lightweight studded wall partitions

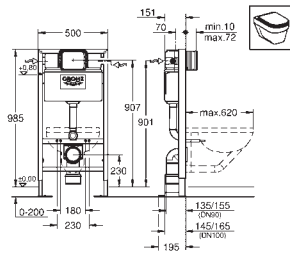
GROHE RAPID SL FREE-STANDING INSTALLATION FOR WC AND BIDET



38 584 001

Rapid SL for WC

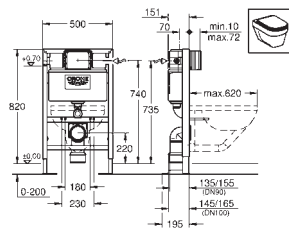
with flushing cistern 6 – 9 l
dual flush/start & stop/single flush
connection from left/right or rear
1.13 m installation height



38 586 001

Rapid SL for WC

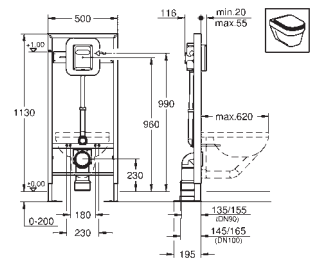
with flushing cistern 6 – 9 l
for studded wall partition
or free-standing installation
1.00 m installation height
actuation from front/above



38 587 000

Rapid SL for WC

with flushing cistern 6 – 9 l
for studded wall partition
or free-standing installation
0.82 m installation height
actuation from front/above



38 585 001

Rapid SL for WC

with flush valve 6 – 9 l
for manual/electronic actuation
1.13 m installation height



GROHE
Whisper®

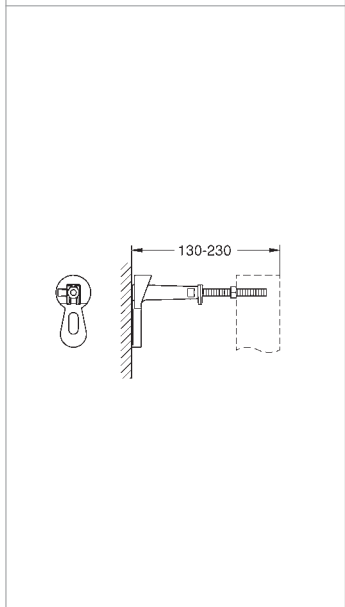
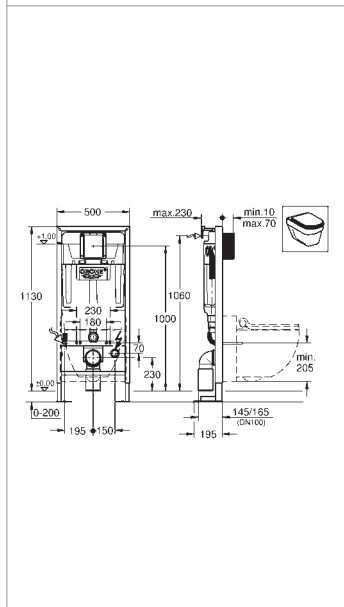
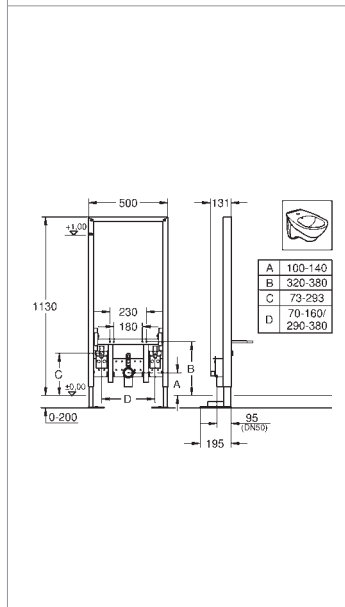


GROHE
EcoJoy®



GROHE
QuickFix®

GROHE features:
VarioPort
ToolFree
Safety
SpareFlush



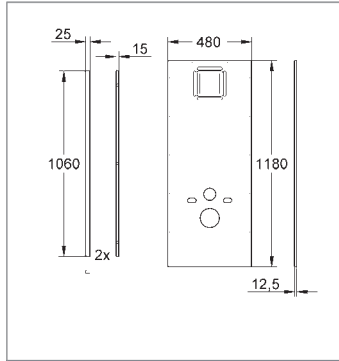
38 581 001
Rapid SL for bidet
 for studded wall partition
 or free-standing installation
 1.13 m installation height

39 128 000
Rapid SL for shower WC
 flushing cistern GD 2
 with small maintenance access
 1.13 m installation height
 for on-the-wall installations or
 studded walls
 powder coated steel frame, self-
 supporting
 for dry-cladding, completely pre-
 assembled
 with fixed connections
 for single or rail installation

38 558 00M
Rapid SL wall brackets
 for wall installation, 2 pieces

For free-standing installation/for installation in front of weak walls.

GROHE RAPID SL ACCESSORIES

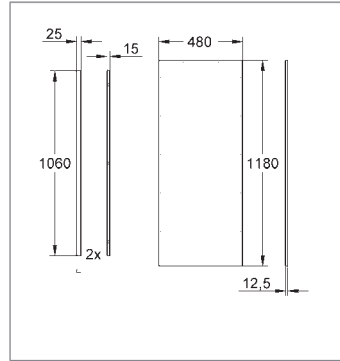


38 636 001

Rapid SL cladding

for WC

1.13 m installation height



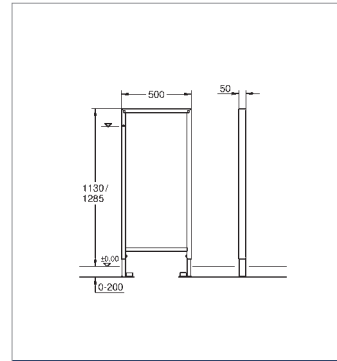
38 630 001

Rapid SL cladding

for bidet, urinal and spaces
between elements

1.13 m installation height

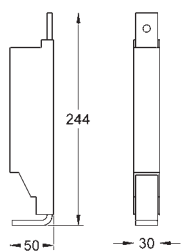
without cut-outs



38 548 001

Rapid SL empty element

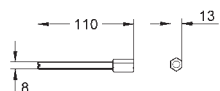
for the installation of fitting
holders or to cover the distance
between two elements (60 - 170 cm),
for installation back to back with
free-standing elements



38 779 000

Rapid SL extension

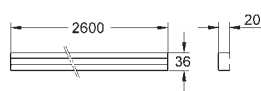
for floor constructions
up to 350 mm
fixing material



38 563 000

Extension set

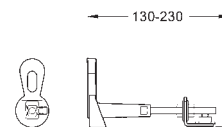
for Rapid SL for WC, bidet, wash
basin, urinal
for max. distance to the wall
330 mm



37 310 000

Installation rail

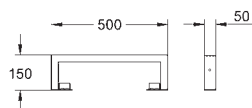
for row installation
with fixing material
2600 x 36 x 20 mm



38 733 000

**Rapid SL
mounting angle**

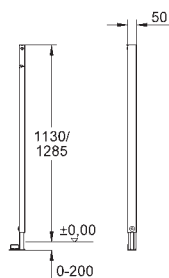
for additional fixation of WC
elements or installation
without floor fixing



38 629 000

Rapid SL extension

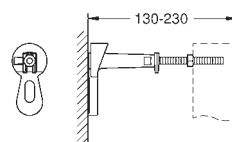
for floor constructions from
200 up to 350 mm
fixing material
not suitable for project elements



38 549 001

Rapid SL support element

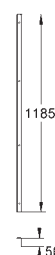
1.13 and 1.30 m installation height
to fill out a distance between two
elements of 60 - 120 cm



38 558 00M

Rapid SL wall brackets

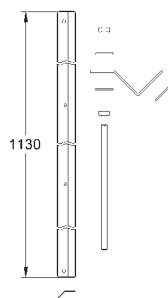
for wall installation, 2 pieces



37 220 001

Rapid SL wall brackets

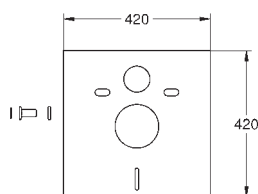
for Rapid SL, to fix claddings to side
walls and intermediate plates to the
masonry, 1.13 m, 1.00 m and 0.82 m
installation height
dimension 50 x 25 mm



38 562 001

**Rapid SL
Set for corner installation**

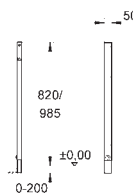
for WC, bidet, wash basin and urinal
single installation or fitting to a rail
fitting maximum 625 mm from the
corner, 2 wall brackets 1.13 m, 135°



37 131 000

Set for noise protection

for WC
sound insulation
2 rubber pipes



38 550 000

Rapid SL support element

0.82/1.00 m installation height
to fill out a distance between two
elements of 60 - 120 cm
without accessories for on-the-
wall installation



GROHE PROFESSIONAL
WORK SMARTER

GROHE UNISET

Uniset is a studded-wall installation system for walling-in, which is characterised by an enclosed housing. Installation with Uniset saves time and space. Uniset thus lets you plan and implement interesting floor-plan solutions with optimum space distribution.



GROHE UNISET PERFECT FOR FLEXIBLE ROOM DESIGN, IDEAL FOR RAPID AND SIMPLE INSTALLATION



- Simple walling-in instead of difficult lining with masonry
- Versatile:
 - Can be used for all sanitary equipment and installation heights
 - Installation on a rail or free-standing installation
- Fully preassembled elements
- Universal platform – suitable for all WC actuation plates (over 130 options to choose from)
- Certified load-bearing capacity: 400 kg on the WC; 150 kg on the wash basin
- One waste valve for all cisterns and all flushing functions: single flush, dual flush, start/stop



GROHE
Whisper®



GROHE
EcoJoy®



GROHE
QuickFix®



* For our Conceald flushing cisterns within Uniset we offer an extended guarantee of 10 years. Please find our detailed guarantee conditions on www.grohe.com

GROHE features:
VarioPort
ToolFree
Safety
SpareFlush



GROHE QuickFix® ensures flexible installation, shorter installation times and a straightforward completion whatever the sanitary floorplans dictate.

GROHE Whisper®. Thanks to decoupled pipe supports, there is no sound transfer to the structure of the building when the water is released from the cistern to the bowl

The high load-bearing capacity and the great stability of the frame has been tested by the German TÜV and is confirmed at more than 400kg.

TECHNICAL FEATURES:

Dimpled EPS housing acts as a rendering base and noise control

Lightweight (Uniset for WC weighs just 7 kg)

Installation of the waste bend without tools

Waste clamp with two-step depth adjustment

Elbow Ø 90 with reducer Ø 90/110

Fixing points for accessories; free-standing installation and support feet

Centre axis correction by moving the wall holder on the mounting rail

GROHE UNISET COMPACT SOLUTION FOR WALLING-IN

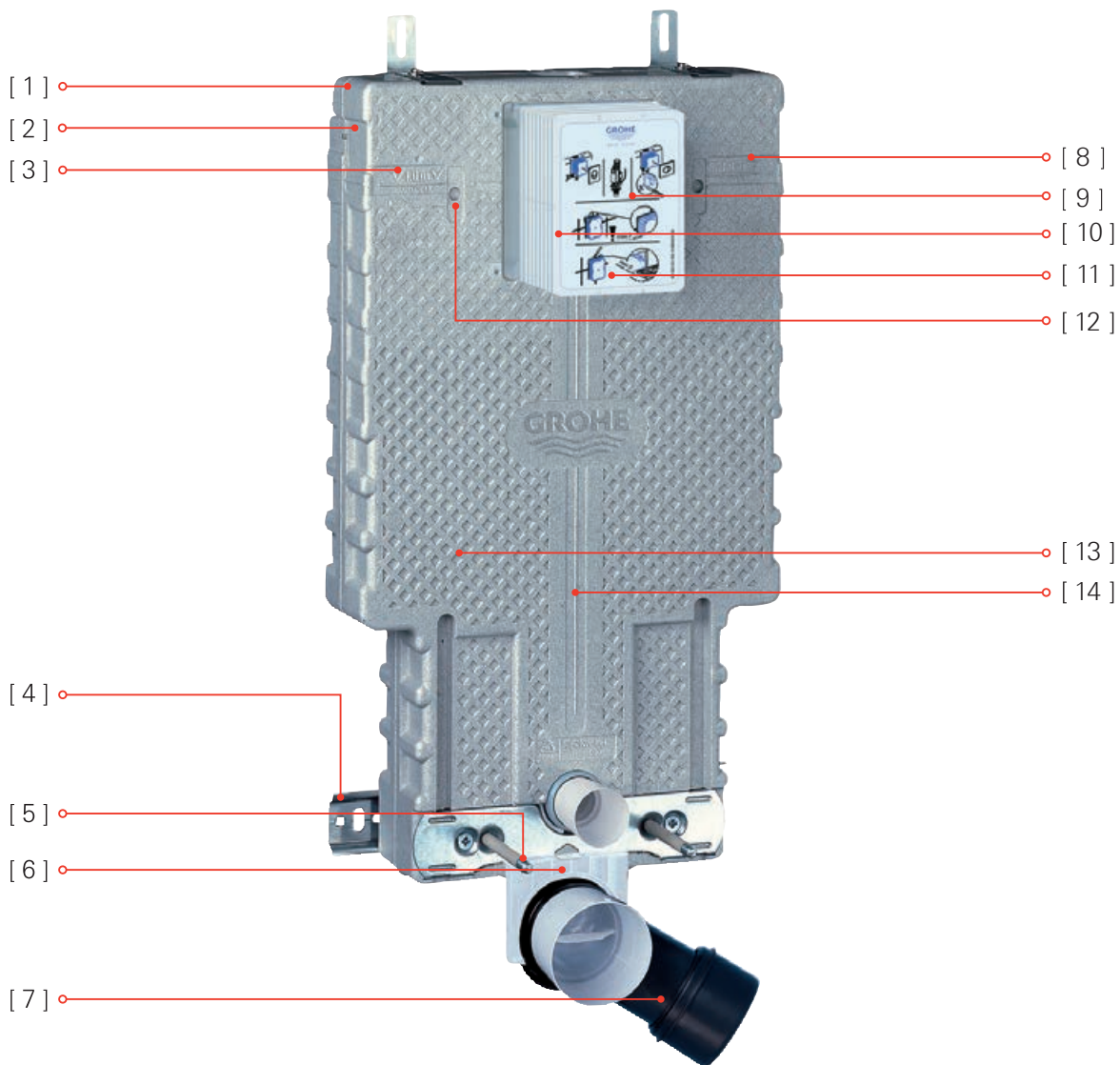
This is the proven, modern modular system that is instantly recognisable by its dimpled grey EPS housing. Uniset has many practical functions. It's a rendering base, it improves noise control and it provides a compact, protective frame for the waste technology. With Uniset, simple walling-in has taken the place of difficult lining with masonry.

ELEMENT

- [1] Shaft for installation of pipes at the back and water inlet from the left/right or rear
- [2] Low weight, housing made of EPS, without sharp sheet metal edges, prevents injuries
- [3] Closed housing made of robust EPS material, which means there is no need for interior masonry lining
- [4] From the packaging directly to the wall.
For even faster installation, the wall rail is now assembled ex factory.
- [5] 400 kg load capacity for the WC
- [6] Noise protection in accordance with DIN 4109, use in areas with highest noise protection requirements. Comfort noise protection 24 dB(A) GROHE 16 dB(A).
- [7] Outlet bend Ø 90 with reducer Ø 90/110

FLUSHING CISTERN

- [8] ½" water inlet can be installed without tools with angle stop valve, replaceable spindle
- [9] Depending on the tile pattern or design requirements, the WC actuation plates can be installed either horizontally or vertically with the variable inspection chamber.
- [10] Tool-free latching of inspection shaft, frame for actuation plate is mounted with two screws only, for vertical or horizontal use
- [11] A QR code printed on each GD2 cistern links to information such as product number, spare parts and technical drawings.
- [12] Filler valve, faucets group I, fills a flow volume of six litres in 30 seconds; it can be used with a flow pressure of at least 0.5 bar.
- [13] SpareFlush eliminates problems when flushing the WC, thanks to a safety flush volume of three litres always being available in addition to the normal flush volume of six litres
- [14] Pneumatic discharge valve with only one hose connection offering 3 modes of operation:
 - Dual flush
 - Start/stop
 - Single flush



GROHE UNISET INSTALLATION 'AS EASY AS IF IT WERE ON RAILS'

What makes the installation of Uniset elements different is the unique rail technology. The wall rails can be pre-installed without any elements; when installing Uniset, the installer has plenty of room for adjustment to the left and right to achieve the perfect position.

The walling-in of WC and urinal cisterns has never been so easy.

This means that Uniset provides greater scope for creativity in bathroom architecture. Free-standing walls are a particularly good way of separating different functional areas in bathrooms from one another. Floor-mounted brackets, which are fixed to the rough floor, are required as accessories for free-standing installation.

1. Roughing-in installation

- WC elements with flushing cistern GD 2, 6 - 9 ltr., 38 643 001
- wash basin element (for wash basin-mounted mixer) 38 576 000
- bidet element 37 578 001

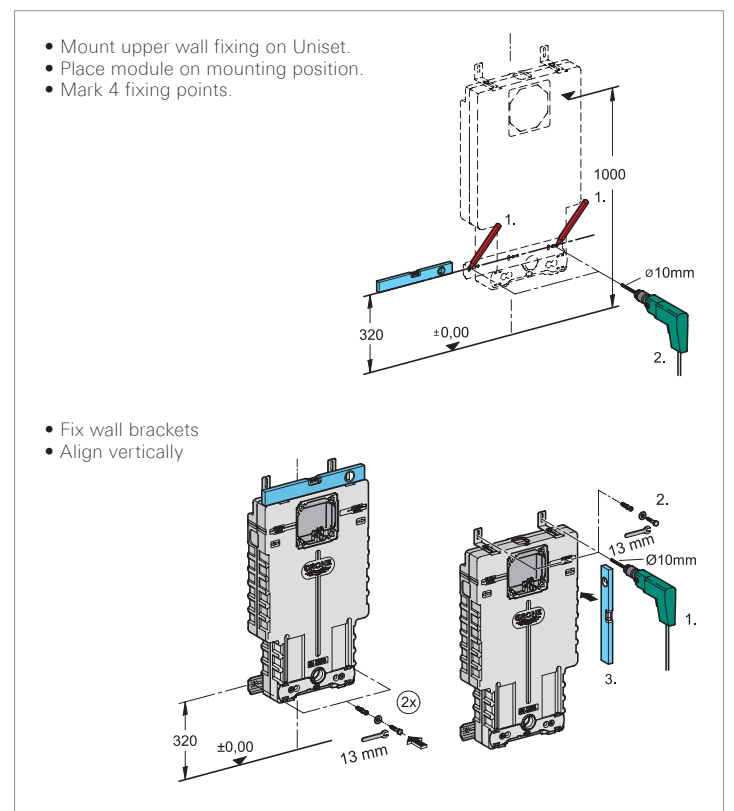
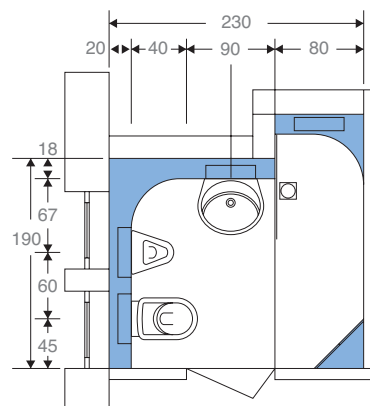
2. Walling in, plastering, tiling

3. Finished installation

Installation of the cover plates

- for WC: wall plate Skate Cosmopolitan, vertical installation, chrome, 38 732 000

Roughing-in installation



Walling in, plastering, tiling

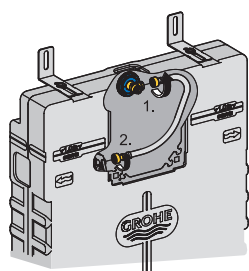
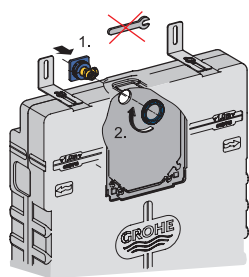


Fertiginstallation

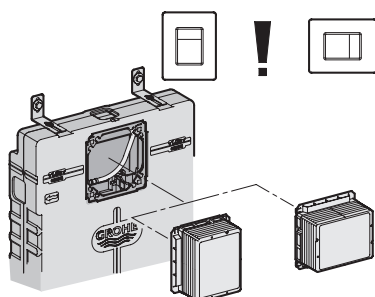


- Mount water inlet and angle stop valve.

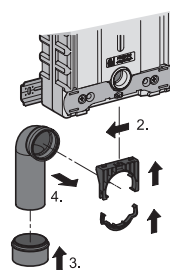
- Mount flexible hose.



- Fit inspection shaft vertically or horizontally.
- Cut off corner if installed horizontally.

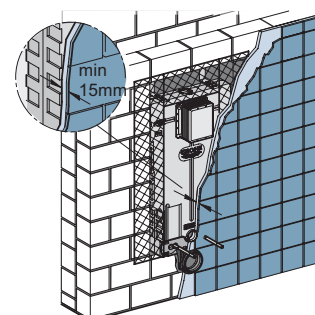


- Mount outlet clip and outlet bend.



- Mount WC fixing bolts.
- Wall in the element and cover transitions into the masonry with armouring.

Minimum plaster build-up, including tiles: 15 mm.



GROHE UNISET FREE-STANDING INSTALLATION: SECURE AND STABLE

Free-standing walls are a design element which is particularly suitable for separating different functional areas in bathrooms from one another. Stand brackets which are fixed to the rough floor are required as accessories for free-standing installation. The mounted elements are accessible from both sides and can be aligned perfectly.

ROUGHING-IN INSTALLATION

1. Roughing-in installation

- WC element with flushing cistern GD 2, 6 - 9 ltr, 38 643 000
- Bidet element 37 578 001
- Stand brackets (for WC and bidet) 37 573 000

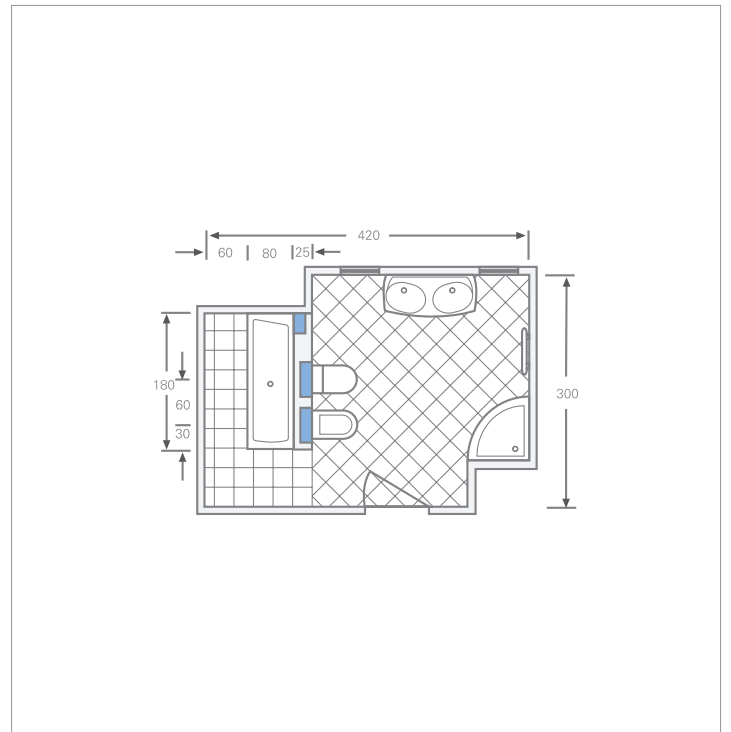
2. Walling in, plastering, tiling

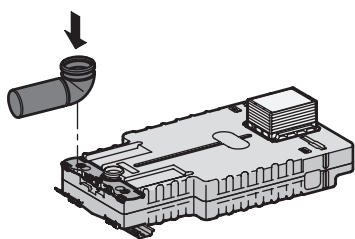
3. Finished installation

Mounting of the cover plates

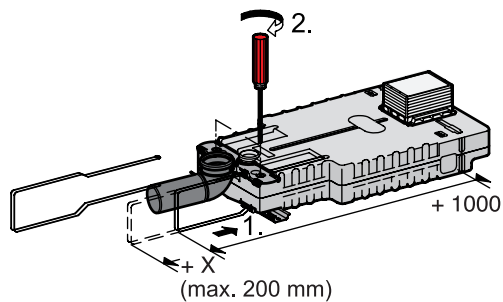
- for WC: cover plate Nova Cosmopolitan, chrome and fittings
for bidet, wash basin, shower, bath tub as well as accessories.

A positive, generous feeling of space is achieved through the low, free-standing wall.

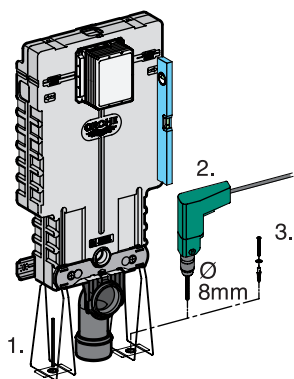




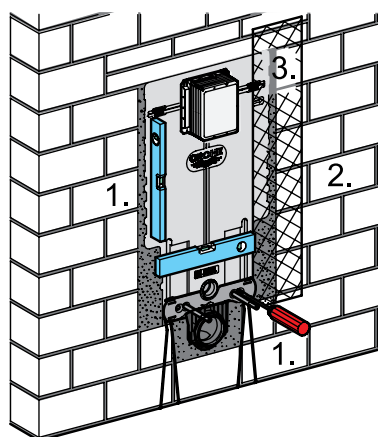
- Fix wall anchor to the rail.



- Mount support feet, set approximate mounting height.




- Fix to the floor.
- Mount upper fixing brackets if needed.




- Align and screw fixing set tight.
- Wall in and cover transitions into the masonry with armoring.

Minimum plaster build-up, including tiles: 15 mm.


GROHE UNISET WC URINAL WASH BASIN



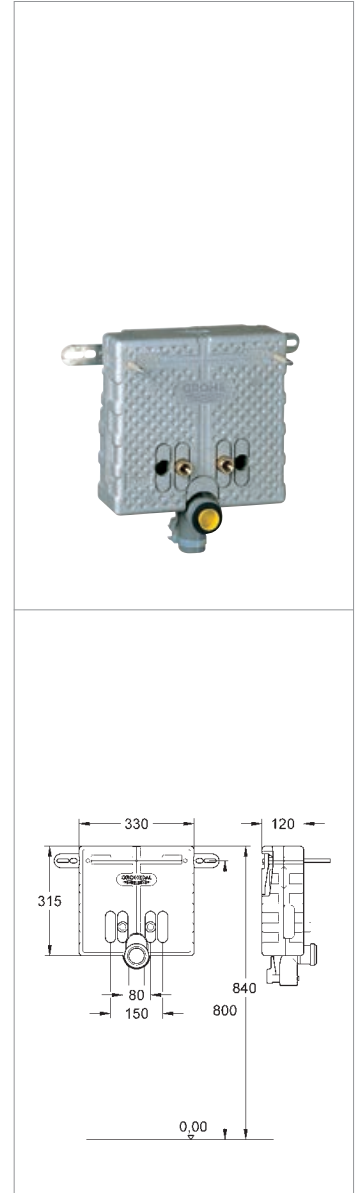
38 643 001
Uniset for WC
with flushing cistern 6 - 9 ltr.
dual flush/start & stop/single flush
water supply from the left, right,
rear or top
for walling in



38 415 001
Uniset for WC
with flushing cistern 6 – 9 ltr.
0.82 m installation height
dual flush/start & stop/single flush
water supply from left, right or top
front or top actuation



38 785 000
Uniset for urinal
with GROHE Rapido U
for manual actuation or infra-red
electronic 6 V or 230 V

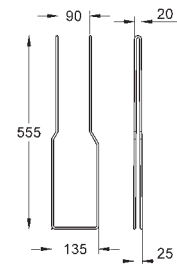
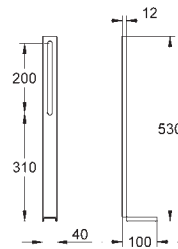
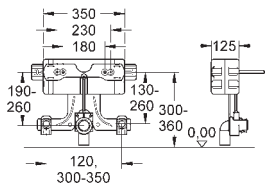
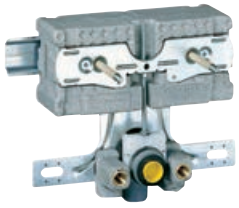


37 576 000
Uniset for washbasin for
single hole installation



VarioPort
ToolFree
Safety
SpareFlush

GROHE UNISET BIDET ACCESSORIES



37 578 001

Uniset for Bidet

39 166 000

Wall shower drain

for Rapid Pro and wet wall (Uniset), made of ABS
for floor drainage of interior rooms
odour trap
22 mm height
flow rate 0.5 l/s for 20 mm accumulation
flange for alternative sealing
drain body in ABS welded on
connection option at the front, on the left or right side
dimension: DN 50 (DA 50 mm)

37 304 000

Uniset support feet

for WC and bidet
for on-the-wall installations

37 310 000

Installation rail

for row installation
with fixing material
2600 x 36 x 20 mm

37 573 000

Uniset support feet

for WC and bidet
for free-standing installations
(not suitable for installation height 0.82 m)



GROHE FLUSHING SYSTEMS

Wall-installed or surface-mounted? When planning and installing flushing mechanisms for WCs and urinals, the decision depends mostly on whether the systems are for a new bathroom or for the renovation of an existing bathroom. It makes financial sense to replace existing surface-mounted systems with economical, yet effective, flushing technology from GROHE, while new buildings mostly use concealed installations.

Flushing valve or cistern? Both variants have their advantages. GROHE offers a wide range of options for both systems, all of which are extremely cost-effective, reliable and easy to maintain – thanks to economical GROHE technologies. The high-quality design of the wall-mounted WC cisterns and flushing valves adds a touch of elegance to any public or sanitary facility. GROHE urinal flushing mechanisms are available to suit all installation conditions and meet hygiene and vandal-resistant requirements. Manual solutions can therefore be extremely cost-effectively, while touchless control – using radar or infrared detection – ensures that the focus is firmly on hygiene. Concealed installations are the ideal choice for both manual and touchless control where protection against vandalism is a priority.

- Complete range: versatile range of flushing valves and cisterns for WCs (surface-mounted or concealed, manual or electronic), wide variety of manual or contactless control options for urinals
- GROHE EcoJoy™: supplies water only when needed; economical and resource-saving
- Safe and reliable in continuous operation
- Touch-free: touchless operation, optimum hygiene
- Long-life battery: long life thanks to unique low-energy electronics (up to seven years/150 cycles per day)
- GROHE StarLight®: highly resistant surface finishes
- Easy-to-clean design
- Easy to maintain in long-term operation

GROHE WC SYSTEMS MAKING A GREAT FIRST IMPRESSION

Outstanding hygiene, easy operation and economical, yet sustainable, long-term operation are key factors when planning WC systems in public areas. Efficient use of resources pays off with every WC flush.

Flushing valves and cisterns from GROHE are available in numerous variants that meet all requirements in relation to economy, hygiene, functionality and design. In addition to 'classic' surface-mounted and concealed products for WCs, the extensive range of GROHE flushing valves and cisterns also includes various electronic solutions.

WALL-INSTALLED CISTERN

Only the actuation plate is visible to the user with this extremely attractive solution – most of the technology is discreetly 'hidden' behind the tiles. Both the GROHE Rapid SL range (from page 48) and the GROHE Uniset range (from page 82) provide numerous variants for all installation and design requirements.



PAGE 106

WALL-INSTALLED FLUSHING VALVE, MANUAL

The stylish Surf and Skate actuation plates have already proven to be extremely popular solutions for actuation of the flushing mechanism. The Skate wall plate, with its vandalism protected stainless steel design, is highly recommended for public areas as it is smooth, easy to clean and germ-resistant.



PAGE 108



WALL-INSTALLED FLUSHING VALVE, ELECTRONIC

Concealed flushing valves with touchless control are an extremely hygienic variant for WC flushing mechanisms in public areas, as users do not have to touch an actuating knob, which could transfer germs. Automatic flushing based on actual requirements occurs after each WC use.

PAGE 109



SURFACE-MOUNTED CISTERN WITH START/STOP BUTTON

Easy to install, surface-mounted cisterns are ideal for renovation projects. Their functionality is impressive. The full-flow volume flows after the first actuation and, with the second actuation, flushing can be ended prematurely.

PAGE 110



SURFACE-MOUNTED FLUSHING VALVE

Flushing valves have the advantage of always being ready for flushing. For each actuation, the flow volume is ready immediately. The WC flushing valve Rondo A.S. offers strong performance combined with good looks. It also operates very quietly.

PAGE 111

GROHE WC INSTALLATIONS CONCEALED FLUSHING CISTERN FOR RAPID SL AND UNISET

Quick connection, small actuation plates

Rapid installation and universal connections are characteristic of this concealed flushing cistern. The recess at the back of the cover for connection from the rear, as well as the other three possible connections from the top, left or right, and the water connection which can be installed most conveniently without requiring tools - this cistern leaves absolutely nothing to be desired by the plumber. Add to this the more attractive small cover plate, the security of a flushing cistern with a capacity of 6 - 9 litres and the optimum pneumatic actuation with its easy installation. All in all: considerable added value for both the plumber and the user.

The actuation plates: for time-saving installation.

The small actuation plates measuring just 156 x 197 mm are available for vertical or horizontal installation. State-of-the-art pneumatic discharge valve technology makes them real all-rounders:

Press large button = full water flow, can be interrupted by pressing the small button. Press small button = economy flush - what better way to save water!





The small GROHE cover plates for

- dual flush technology and start & stop flush on one plate (vertical or horizontal orientation)
- single flush for more security in commercial/public areas, as the full water flow helps to prevent clogged pipes.



1. Skate Cosmopolitan with 3 functions:

Large button only: full flush.

Small button only: economy flush.

Small button after large button: stop flushing.

Skate Cosmopolitan in 2 versions:

vertical or horizontal installation



2. Skate Air with single flush technology and additional start/stop feature.

To install the cover plate, insert the inspection shaft in a vertical or horizontal position. It simultaneously affords protection during the construction work and is simply cut off flush with the tiles using a knife during the final installation phase.

GROHE WC SYSTEMS WALL-INSTALLED FLUSHING VALVE, MANUAL – DISCREET, AND EFFECTIVE



TECHNICAL FEATURES:

Noise class/fittings group 1

Variable flow volume of 6 to 9 l

Flush flow 1.0 to 1.3 l/s; integrated flush flow regulation

Flow pressure min. 1.2 bar for standard-pressure variant; low-pressure variant can be used from 0.6 bar

Integrated isolating valve

Concealed screw coupling attachment

Flushing valves are a popular choice for replacement and modernisation projects, particularly as the level of investment is very manageable for the operator. Use of the robust and durable fittings is also very economical in long-term operation. Ready to flush at all times, flushing valves are powerful and effective. And in the concealed variant, they have the added benefit of good looks. Surf and Skate have already become established as classics in projects all over the world.

- Used mainly in public and commercial projects such as airports, restaurants, stadia, sports and leisure facilities
- Ready to flush at all times
- Extensive range: wall plates in Skate and Surf design, coordinated design with urinal actuating devices
- Protection against vandalism



GROHE
StarLight®



GROHE
EcoJoy®

GROHE features:
EcoCare
VarioPort
ToolFree
SpareFlush

GROHE WC SYSTEMS

WALL-INSTALLED FLUSHING VALVE, ELECTRONIC – MAXIMUM HYGIENE



TECHNICAL FEATURES:

Noise class/fittings group 1

Variable electronic flow volume
of 3 to 9 l

Flush flow 1.0 to 1.3 l/s; integrated
flush flow regulation

Flow pressure min. 1.2 bar

Connection voltage 230 V

7 preset programs

- automatic flushing 24/72 hours
- cleaning mode on/off
- pre-flush on/off

High IP class:
IP 59K certification

Integrated isolating valve

Stainless steel plate: attachment
by concealed screw coupling

Electronically controlled concealed flushing valves on the WC offer optimum hygiene for the user and outstanding economy for the operator. Flushing is automatic after each use, and is started touchlessly and only when needed. This prevents the spread of germs among users, as they do not have to touch an actuating handle. This type of flushing mechanism is also suitable for people with disabilities as well as senior citizens.

- Used mainly in public and commercial projects such as airports, restaurants, stadia, sports and leisure facilities
- Optimum hygiene thanks to touchless flushing of the WC
- Suitable for people with disabilities and senior citizens
- Wall plates in Skate and Surf design; coordinated design with urinal-actuating devices,
- Stainless steel variants



GROHE
StarLight®



GROHE
EcoJoy®

GROHE WC SYSTEMS SURFACE-MOUNTED CISTERN – ECONOMICAL WITH START/STOP FUNCTION



TECHNICAL FEATURES:

Noise class/fittings group 1

Variable flow volume of 6 to 9 l

Flow pressure min. 0.5 bar

Installation in front of the wall
(standard) or behind the wall
with pneumatic remote actuation

Damp heat insulation

Water connection from the left,
right or rear is possible

Refilling: 6 l in just 27 seconds at 3 bar

Surface-mounted cisterns are a simple, low-cost renovation solution. They can be installed quickly on site. Operation is also easy and effective. When actuated once, the full flow volume flows. With the second actuation, flushing is ended prematurely.

- Used mainly in public projects and housing construction
- Easy, low-cost installation; primarily as a replacement for surface-mounted cisterns
- Economical water consumption: flushing is stopped by simply actuating the flushing mechanism



GROHE
StarLight®



GROHE
EcoJoy®

GROHE features:
EcoCare
VarioPort
ToolFree
SpareFlush

GROHE WC SYSTEMS

SURFACE-MOUNTED FLUSHING VALVE RONDO A.S. – ATTRACTIVE AND POWERFUL



TECHNICAL FEATURES:

Noise class/fittings group 1

Variable flow volume of 6 to 9 l

Flow flush 1,0 to 1,3 l/s;
integrated flush flow regulation

Flow pressure min. 1,2 bar;
low pressure variant can
be used from 0,6 bar

With or without integrated
isolating valve

Although it may look small, the surface-mounted WC flushing valve, Rondo, is a powerful performer. It is small, compact and robust. The flow is ready immediately for each actuation.

- Used mainly in public and commercial projects such as airports, restaurants, stadia, sports and leisure facilities
- Sustainable and economical use; suitable for WCs and basins
- Modern Cosmopolitan design; optimum handling
- Protection against vandalism



GROHE
StarLight®

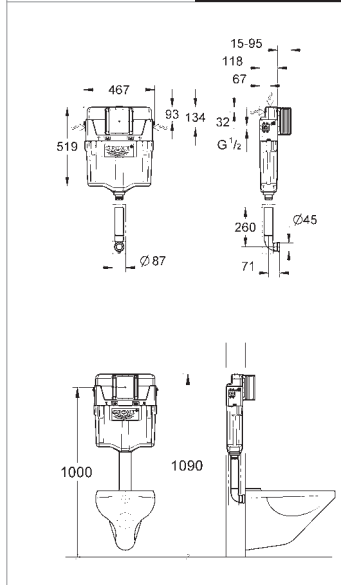


GROHE
EcoJoy®

GROHE WC INSTALLATIONS CONCEALED/EXPOSED WC FLUSHING CISTERNS



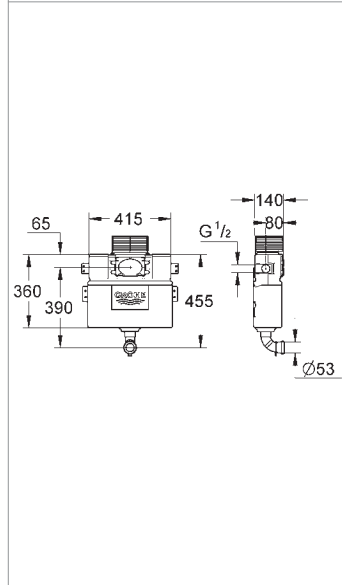
WELL
Water Efficiency Label



38 661 000

Concealed flushing cistern GD2

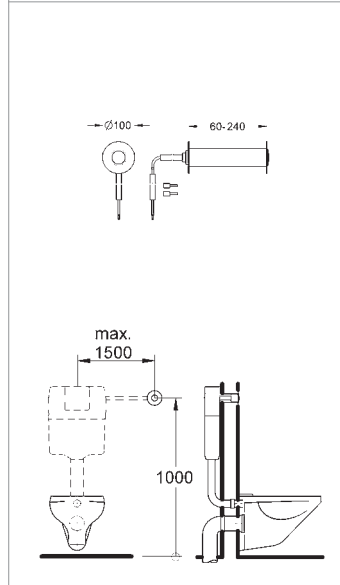
6 - 9 ltr., dual flush or start/stop or single flush
water supply from left/right/back or top
fitting group I
without actuation



38 422 000

Flushing cistern for WC

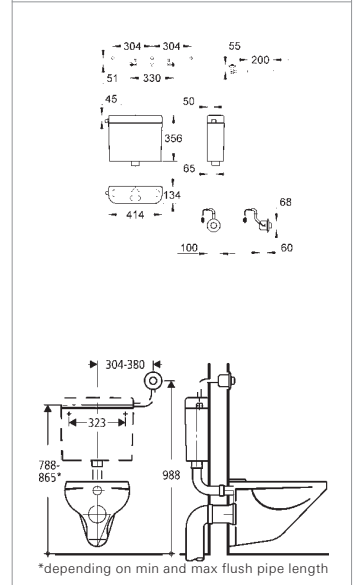
6 - 9 l adjustable
concealed installation
0.82 m installation height
dual flush discharge valve,
pneumatic
front or top actuation
water supply from left/right or top



43 977 000

Pneumatic actuation

remote hand-actuation for institutional requirements
push button with escutcheon Ø 100 mm
for walls of 80 - 240 mm thickness
actuation stop
pneumatic hose 1.50 m
without actuation



37 072 SH0

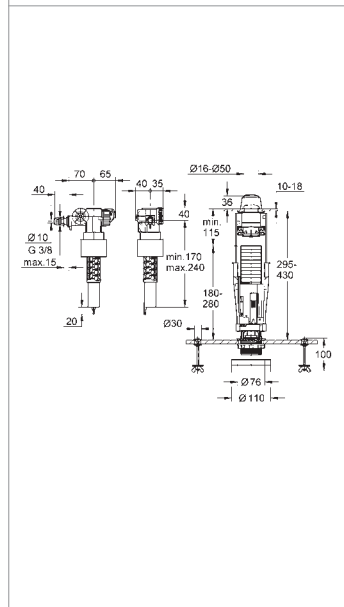
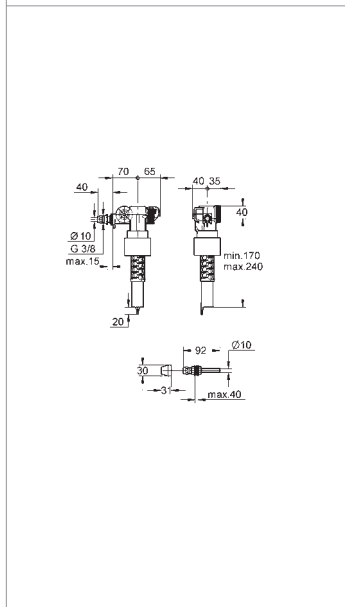
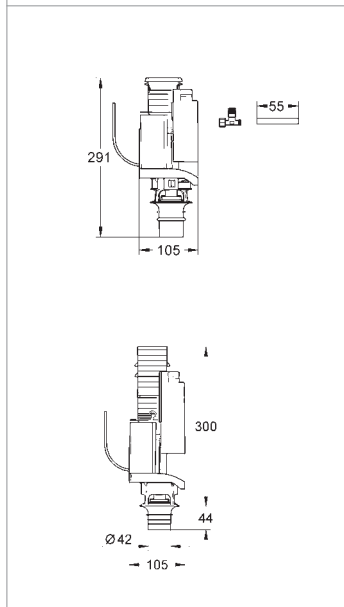
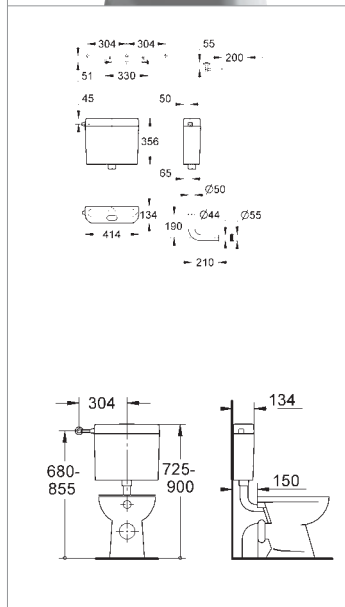
For installation behind the wall: Flushing cistern for WC

with pneumatic remote actuation



GROHE features:
EcoCare
VarioPort
ToolFree
SpareFlush

WC FLUSHING CISTERN FITTINGS



37 355 SH0
Flushing cistern for WC
 flushing cistern for exposed installation
 6 - 9 ltr., fitting group I
 white

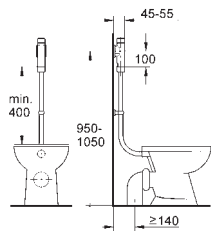
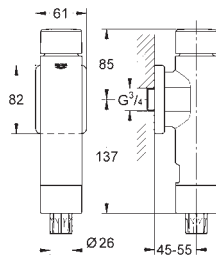
38 735 000
Retro-fit set
 for flushing cistern 6 l concealed installation
 dual flush discharge valve AV1 with valve seat
 without wall plate

38 736 000
Dual Flush retro-fit set
 for flushing cistern GD 2
 6 - 9 ltr. adjustable
 dual flush discharge valve AV1 with valve seat, without wall plate

37 092 000
Filling valve
 ½", for high and low level flushing cisterns

38 801 P10
Eco Set
 retro-fit unit for close-coupled flushing cisterns
 with filling valve
 dual flush discharge valve AV1
 GROHE StarLight® push button actuation Ø 40 mm
 with Eco knob
 with fixing set

GROHE WC INSTALLATIONS EXPOSED AND CONCEALED WC FLUSH VALVES



37 349 000

Rondo A.S.

Exposed flush valve for WC

¾", with integrated stop valve

Fitting Group I

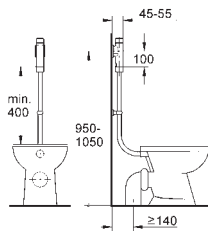
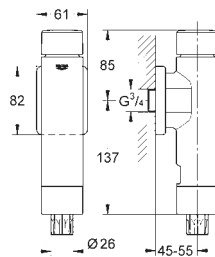
chrome plated

replaces 37 147 IK0

37 347 000

without integrated stop valve

replaces 37 145 IK0



37 388 000

Rondo A.S.

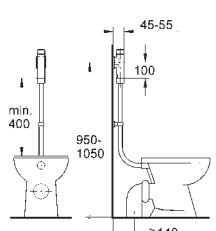
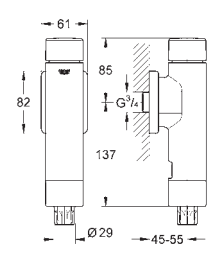
Exposed flush valve for WC

¾", heavy duty

brass, control cap and connection to brass flush pipe with integrated stop valve

6 - 9l adjustable

chrome plated



37 389 000

Rondo A.S.

Exposed flush valve for bowls

¾", for low pressure

chrome plated

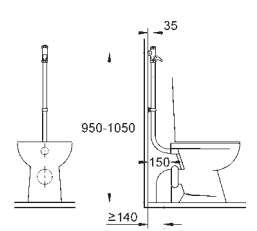
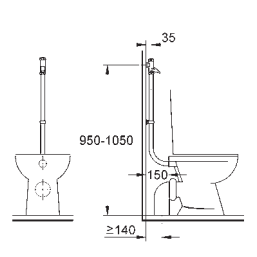
Suitable for following bowls:

Keramag: Hospiz, 165000

V+B: Nova, 6902001/

Nova, 69070001

Rotter: V, 151



37 141 000

Exposed WC

flush valve

DAL full-automatic flush valve ¾"

Fitting Group II

chrome plated

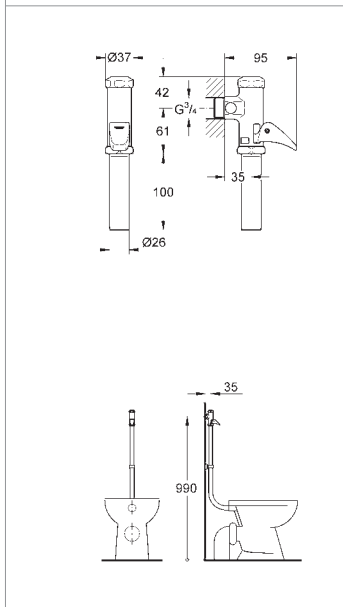


GROHE
StarLight®

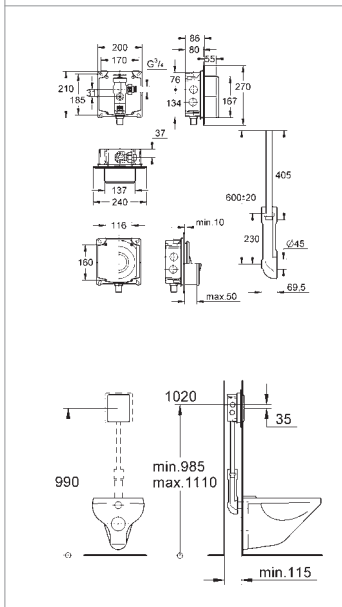


GROHE
EcoJoy®

GROHE features:
EcoCare
ErgoTouch

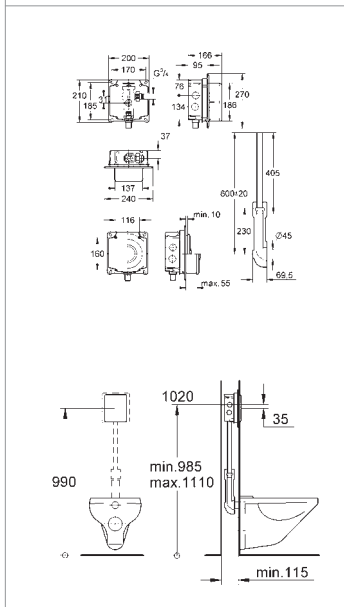


37 139 000
Exposed WC
flush valve
 DAL automatic flush valve ¾"
 chrome plated



37 153 000
Concealed flush valve
 ¾", with box for concealed
 installation
 Fitting Group I
 with flush elbow and flush pipe
 without wall plate

37 157 000
 for low pressure levels
 0.6 - 3.0 bar flow pressure range



37 048 000
Concealed flush valve
 ¾", with connection for solenoid
 valve (for electrical actuations)
 with integrated stop valve
 Fitting Group I
 with flush elbow and flush pipe
 without wall plate

GROHE URINAL SYSTEMS HYGENIC AND ECONOMICAL WITH MANY OPTIONS

The GROHE range of urinal flushing mechanisms incorporates a wide range of technologies that meet demanding requirements in relation to economy, hygiene, design and protection against tampering. Touchless actuation is possible using either radar or infrared electronics. For existing urinal flushing valves in renovation projects, GROHE offers both modern, water-saving replacement products, as well as electronic conversion sets that are easy and inexpensive to install. Both the surface-mounted and the wall-installed variants are easy to fit. Universal back sections and Rapid SL as well as Uniset models ensure fast and easy installation.

URINAL RADAR ELECTRONICS – INVISIBLE AND UNBEATABLE

Here there are virtually no surfaces that can be tampered with. Users of the sanitary facilities don't see the technology, but are detected by it immediately. Discreetly installed behind the tiles, this technology responds reliably and efficiently when someone enters the detection zone. With touchless actuation, the radar electronics are also unrivalled when it comes to hygiene.



PAGE 120

URINAL INFRARED ELECTRONICS – HYGIENIC AND USE WATER ONLY WHEN NEEDED

Touchless control also means better hygiene for urinals, as users do not have to touch an actuating handle, which can transfer germs. GROHE electronics also offer concealed and surface-mounted installation with practical programmes and economical functionality that uses water only when needed.



PAGE 121



RAPIDO U – UNIVERSAL WALL-MOUNTING BOX

One back section, many possibilities: the wall-mounting box Rapido U forms the basis for various urinal flushing actuation types. Manual or touchless? This decision is made by planners and clients or operators at the time of final installation. There are numerous designs to choose from.

PAGE 124



MANUAL URINAL ACTUATION – IDEAL FOR REFURBISHMENT PROJECTS

GROHE offers high-performance models that can easily be adapted to local water requirements for the renovation of sanitary facilities with existing urinal flushing valves. With these economical and sustainable solutions, a urinal can be flushed with just one litre of water.

PAGE 126



SURFACE-MOUNTED URINAL FLUSH RONDO

GROHE Rondo has a modern, minimalist design that adds a touch of elegance to urinals. Thanks to its durable and reliable technology, this high-performance and attractive flushing valve has long been used in sanitary facilities all over the world.

PAGE 127

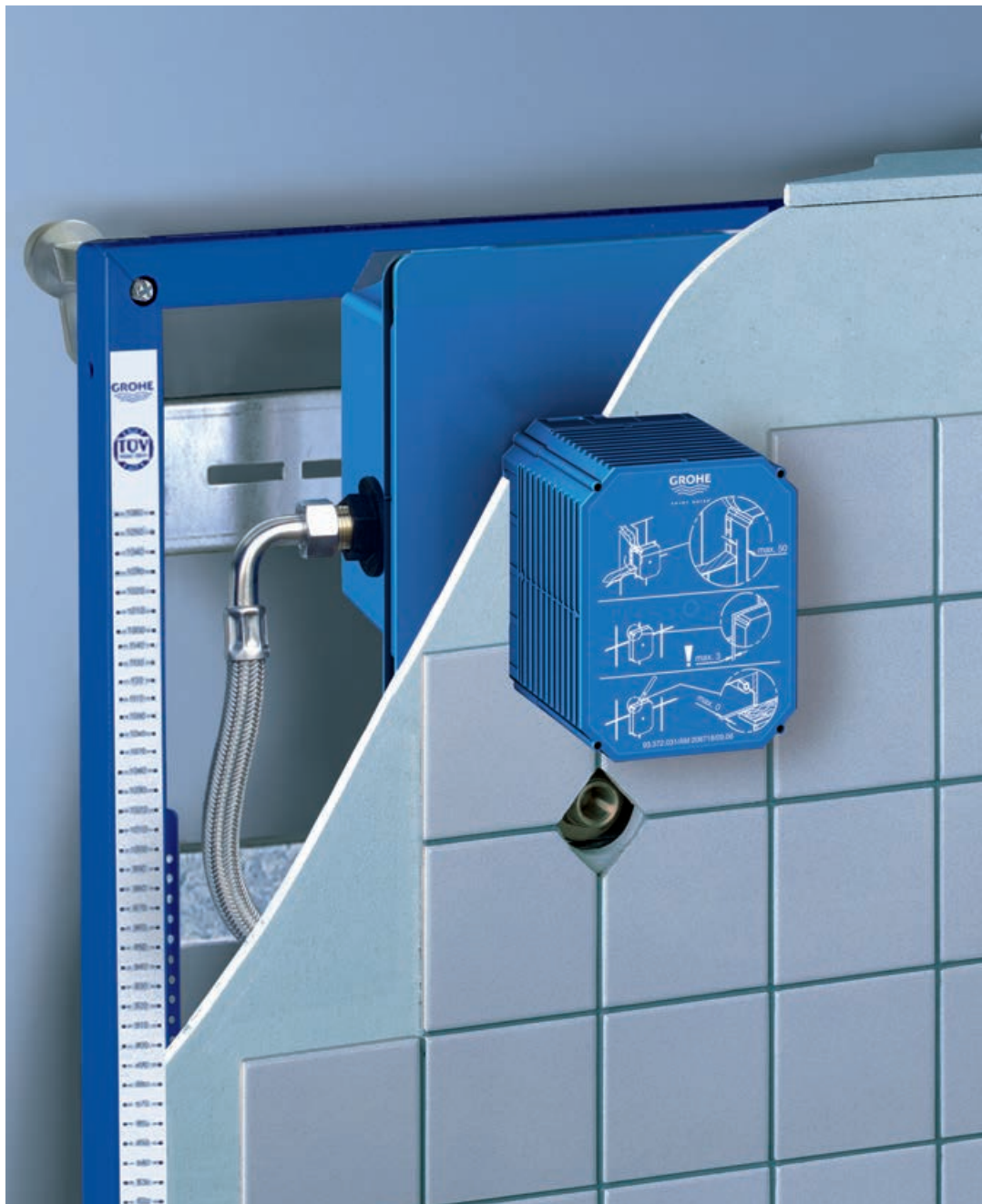
GROHE TECTRON THE INFRA-RED ELECTRONIC CONTROLS FOR HYGIENIC URINAL INSTALLATIONS

Planners, plumbers and end users can choose among a variety of designs (Surf and Skate) and surfaces (including stainless steel) with Tectron concealed electronics. In addition, Tectron is also available in the variants 230 V (mains connection) or 6 V (battery operation).

You can rely on years of functional security. And even more security is provided for you by the moisture resistance feature (protection type IP 55). An essential point is the low level of energy consumption and with it the battery's 7 years of expected service life (150 users/day).



And the beauty of it: many settings can be made with ease using the remote control unit 36 407 000. In addition, the flushing time setting can be modified by bringing one's hand in close.



Skate, chrom



Skate, Edelstahl



Surf, chrom

SIMPLE CONVERSION TO HYGIENIC URINAL INSTALLATIONS

More than 1 million manually actuated 37 021 000 urinal flush valves and almost as many 37 017 000 and 509 concealed urinal flush valves are on the market and could be converted for the improved hygiene. The decision to do so is made easier by the attractive price and the simplicity of installation - no mains connection, but rather a 6 V battery energy supply. It's a compelling argument to offer Tectron for conversion purposes: it will certainly be worth your while.

THE ADVANTAGES AT A GLANCE.

Simple

1-2-3 and the conversion is complete. In 3 installation steps, simpler than you think.

Profitable

An attractive price makes it easier to decide to convert – and to have considerably greater hygiene.

Top design

Innovative and looking good.

Electronic

Automatic operation through Infra-red reflection.

Rapid

Conversion in just a few minutes and simply choose 1 of the 7 preset programs.

Durable

The 6 V lithium battery lasts 7 years with 150 uses per day.

IN THE BLINK OF AN EYE:

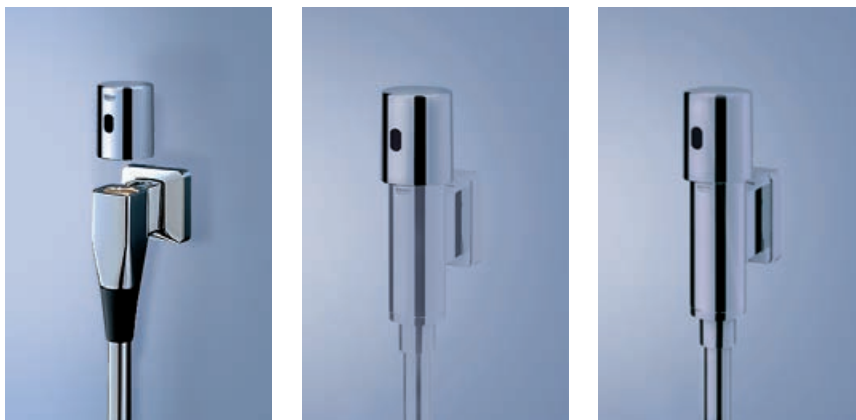
- Shut off the water using the integrated stop valve
- Remove the control cap and the internal cap
- Pull out the old plunger with its spring

INSTALLATION OF THE NEW TECTRON 37 640 000:

- Insert new plunger with spring
- Mount Tectron on the body of the old fitting
- Insert battery and secure cap in place

Set volume and choose 1 of the 7 programs with the programs you can control

- automatic flushing 24/72 hours on/off
- cleaning mode on/off
- user/time dependable on/off



Conversion at lightning speed using Tectron with 37 021 / 37 339

JUST AS FAST:

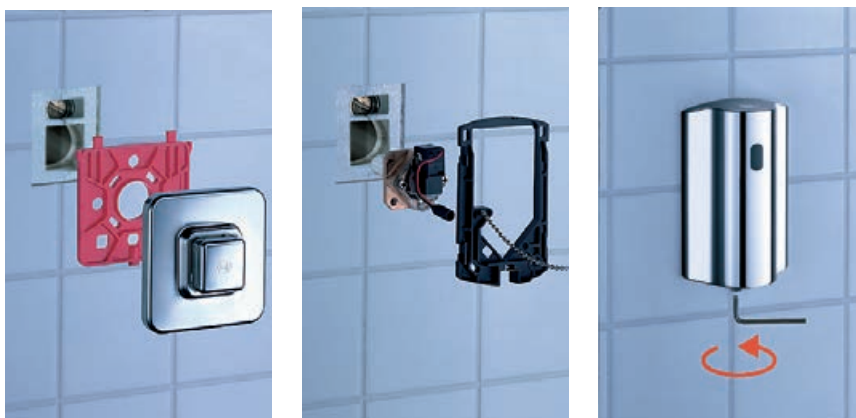
- Detach actuation plate
- Close integrated stop valve
- Detach support frame and inner part

INSTALLATION OF THE NEW TECTRON 37 751 001:

- Install solenoid valve
- Mount support frame
- Make plug connection
- Mount housing

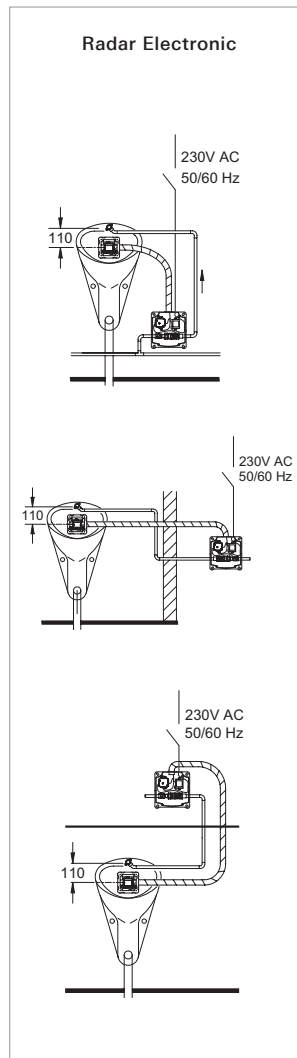
Set volume and choose 1 of the 7 programs with the programs you can control

- automatic flushing 24/72 hours on/off
- cleaning mode on/off
- user/time dependable on/off



Conversion at lightning speed using Tectron with 37 017 and 37 751 001

GROHE URINAL SYSTEMS RADAR PROTECTION AGAINST TAMPERING



TECHNICAL FEATURES:

Installation of the sensor behind the basin or behind the wall above the basin; controller and SV can be installed externally

Variable flow volume of 1 to 7 l

Flush flow 0.3 to 0.7 l/s at 1 to 4 bar, can be used from 0.5 bar

Individual adjustment of

- automatic flush after 24 hours
- intermediate flush after 120 seconds

High IP protection class:
IP 54 certification

Tile frame for wall-installed controllers

When it comes to urinal flushing mechanisms, there is no more elegant solution than radar electronics. Completely invisible to the user, the technology is housed behind the tiles and senses movement in front of the urinal. This installation is ideal not only from a visual design perspective, but also because it provides protection against vandalism and tampering. There are virtually no surfaces that allow the technology to be tampered with and the bathroom is much easier to clean.

- Touchless actuation of the urinal flushing mechanism with radar detection of the user
- Installation invisible to the user: elegant design; protection against vandalism and tampering; sanitary facilities are easier to clean
- Areas of application: airports, restaurants, stadia, sports and leisure facilities; for installation in front of single urinal systems
- Universal application for all types of urinal and reliable operation even for chromium steel basins
- Programme selection (manual or using remote control)



GROHE URINAL SYSTEMS INFRARED KEEPS AN EYE ON DEMAND



TECHNICAL FEATURES:

Variable flow volume of 1 to 7 l

Flush flow 0.3 to 0.7 l/s at 1 to 4 bar,
can be used from 0.5 bar

Connection voltage: 230 V (mains)
or 6 V (lithium battery)

7 preset programs

- automatic flushing 24/72 hours
- cleaning mode on/off
- pre-flush on/off

Battery voltage indicator
through sensor

High IP protection class:
IP 55 certification

Attachment by concealed screw
coupling

Tectron electronics from GROHE have proven themselves as a platform technology for a wide range of applications in fittings and flushing valves over many years and have undergone continuous development. They also ensure maximum hygiene in urinals. For wall installations, the technology is housed behind a small, easy-to-clean actuation plate. They are available in various designs and have virtually no surfaces that can be vandalised or tampered with next generation. A range of programmes, for example for regular automatic flushing, can be set using remote control.

- Touch-free: touchless operation for improved hygiene
- Areas of application: public and commercial sanitary facilities
- Long-life battery: long life thanks to unique low-energy electronics (up to seven years/150 cycles per day)
- Wall plates in Skate or Surf design, coordinated design with urinal actuating devices, stainless steel variants
- Vandalism-protected



GROHE
StarLight®



GROHE
EcoJoy®

GROHE URINAL SYSTEMS EASY INSTALLATION AND OUTSTANDING EASE OF USE



TECHNICAL FEATURES:

Variable flow volume of 1 to 7 l

Flush flow 0.3 to 0.7 l/s at 1 to 4 bar,
can be used from 0.5 bar Point 9.2

Battery power supply 6 V
(lithium battery) Point 9.3

Battery voltage indicator
through sensor

7 preset programs

- automatic flushing 24/72 hours
- cleaning mode on/off
- pre-flush on/off

High IP protection class:
IP 55 certification

The Tectron electronics also ensure maximum hygiene in the surface-mounted variant for urinal flushing mechanisms. These controllers are easy to install and ideal for upgrading from existing manual systems to touchless actuation. Sanitary facilities can thus be given a significant upgrade with enhanced functionality and comfort.

- Touch-free: touchless operation for improved hygiene
- Areas of application: public and commercial sanitary facilities
- Supplied with power through long-life battery: long life thanks to unique low-energy electronics (up to seven years/150 cycles per day)
- Top design for modern bathrooms



GROHE
StarLight®



GROHE
EcoJoy®

GROHE features:
EcoCare
ErgoTouch
TouchFree

GROHE URINAL SYSTEMS FROM MANUAL TO TOUCHLESS CONTROL IN AN INSTANT



TECHNICAL FEATURES:

Variable flow volume of 1 to 7 l

Flush flow 0.3 to 0.7 l/s at 1 to 4 bar,
can be used from 0.5 bar

Battery power supply 6 V
(lithium battery)

7 preset programs

- automatic flushing 24/72 hours
- cleaning mode on/off
- pre-flush on/off

Battery voltage indicator
through sensor

High IP protection class:
IP 55 certification

Attachment by concealed
screw coupling

Millions of GROHE flushing valves for urinals are used in public sanitary facilities worldwide. These can quickly be converted into touchless and therefore extremely hygienic controllers using the special conversion set. A mains connection is not required for the electronics, as the GROHE long-life battery offers durability and reliability in continuous operation. The GROHE conversion set for urinal surface-mounted electronics is thus ideal for renovation and modernisation projects.

- Conversion from manual to contactless urinal flush actuation
- Touch-free: touchless operation for improved hygiene
- Easy, quick and low-cost installation in just three steps
- Areas of application: public and commercial sanitary facilities
- Supplied with power through long-life battery: long life thanks to unique low-energy electronics (up to seven years/150 cycles per day)
- Top design for modern bathrooms



GROHE
StarLight®



GROHE
EcoJoy®

GROHE RAPIDO U IDEAL PLATFORM – WHETHER MANUAL OR TOUCHLESS



TECHNICAL FEATURES:

Flow rate of 1 to 6 l,
pressure-independent

Can be used from 0.5 bar

Installation depth 80 mm

Connection box
for mains connection 230 V

Water group with isolating valve
and flush aid

Infinitely variable shortening of the
inspection chamber for adjustment
at the construction site

The GROHE Rapido U is a universal concealed system for a wide range of urinal flushing mechanisms. It provides a platform for manual or touchless controllers. This decision does not have to be made until final installation – until then the operator can choose from the entire range of options available, with many attractive actuation plates and mechanisms to choose from.

- One basic-wall-mounting box for both manual and touchless/electronic urinal flushing mechanisms
- Main areas of application: domestic bathrooms or commercial toilet areas
- Suitable for conventional masonry and lightweight stud partitions



GROHE
StarLight®

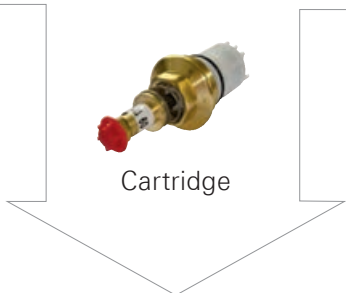


GROHE
EcoJoy®



* For our concealed bodies of Rapido U we offer an extended guarantee of 10 years. Please find our detailed guarantee conditions on www.grohe.com

GROHE features:
EcoCare
ErgoTouch
TouchFree



GROHE URINAL SYSTEMS THE URINAL CLASSIC



TECHNICAL FEATURES:

Flow volume rapid adjustment 1 to 4 l

Can be used from 0.5 bar

Compact dimensions of 116 x 144 mm

Fittings noise class 2 Point 18.4

Manual urinal actuating devices are the easy-to-install and often specified in bars, restaurants and other public and other public sanitary facilities, as well as in private bathrooms. The full flushing power of the flushing valve is available to the user at the touch of a button.

- Main areas of application: commercial toilet areas, domestic bathrooms
- Numerous design variants – Cosmopolitan, Contemporary and Authentic; coordinated design with WC actuating devices, stainless steel and glass variants
- Water-saving: effective from a flow volume of 1 litre



GROHE
StarLight®



GROHE
EcoJoy®

GROHE features:
EcoCare
ErgoTouch
TouchFree

GROHE URINAL SYSTEMS ROBUST SOLUTION FOR SOPHISTICATED AMBIANCE



TECHNICAL FEATURES:

Flow rate of 1 to 4 l

Flow pressure min. 0.5 bar

Self-cleaning, corrosion-resistant
cartridge

Integrated isolating valve

Versions for public buildings available

The GROHE Rondo flushing valve is based on a design that is robust, yet minimalist, resulting in a durable and timeless product that can withstand the demands of everyday use. Intuitive operation and good looks make the GROHE Rondo the ideal choice for heavily frequented sanitary facilities with a sophisticated ambiance where flushing valve technology is required.

- Outstanding economy, functionality and durability with minimal investment
- Used mainly in the public, and commercial sector, e.g. airports, restaurants, stadia, sports and leisure facilities
- Cosmopolitan design for demanding design requirements
- Easy-to-clean design thanks to seamless transition from body to spout
- Vandalism-protected (particularly the variant for public buildings)

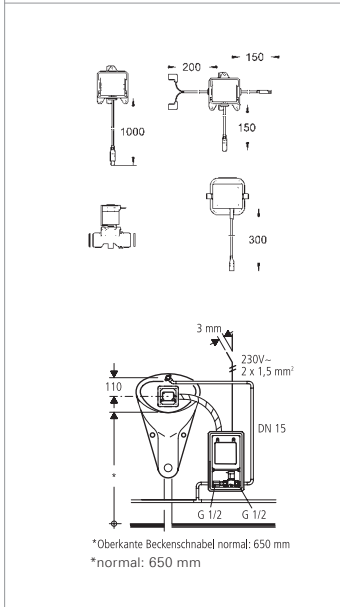


GROHE
StarLight®



GROHE
EcoJoy®

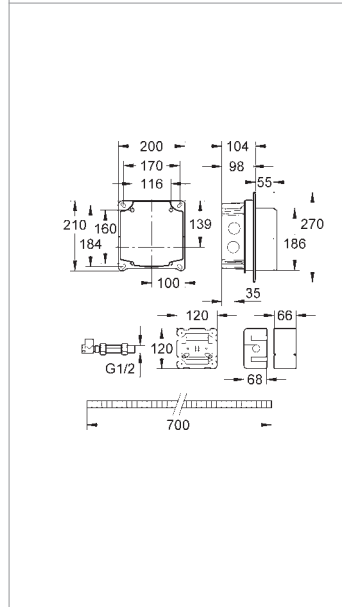
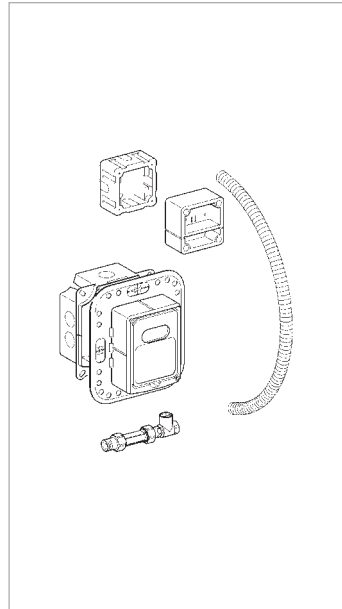
GROHE URINAL INSTALLATION RADAR ELECTRONIC



38 386 000

Radar electronic

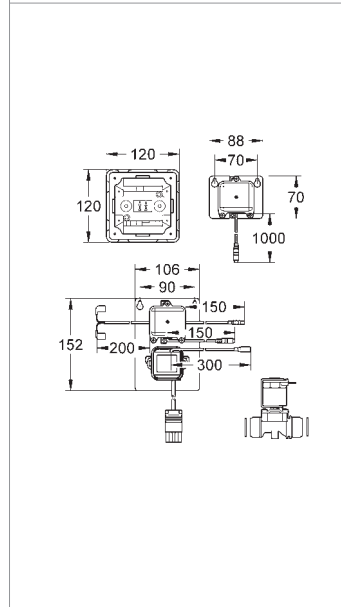
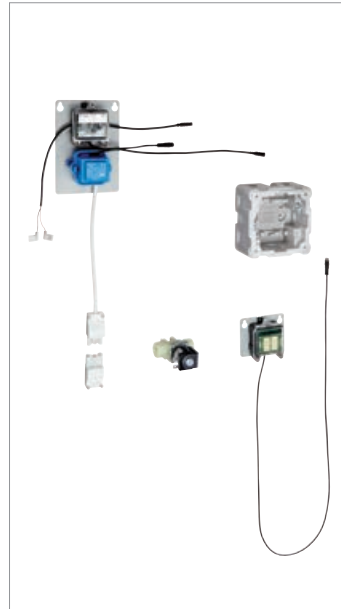
set for final installation for urinal
concealed or external installation
with radar detector
control unit
solenoid valve 1/2"
without roughing-in set
without tiling set



38 387 000

Roughing-in set radar

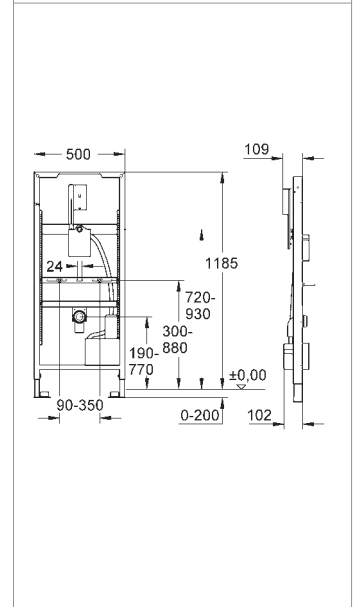
electronic
with box for concealed
installation for radar detector,
stop valve and flush elbow



43 863 000

**Replacement electronic
Radar for urinal**

for old concealed RADAR Urinal
systems
Content:
Radar control unit, radar detector
Transformer 230 V AC, 50 Hz, 12
V AC plug-in, solenoid valve
Holding plates for control unit
and sensor module
Adaptor (plug to transformer)
Concealed installation box
fixing material



38 511 001

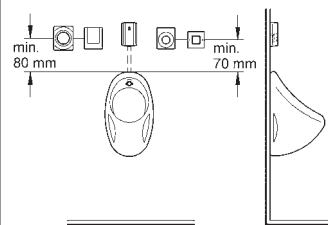
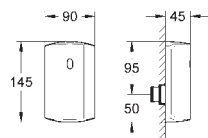
Rapid SL for urinal

with roughing-in set for radar
electronic, 1.13 m and 1.30 m
installation height

GROHE URINAL INSTALLATION MANUAL / ELECTRONIC FITTINGS, EXPOSED



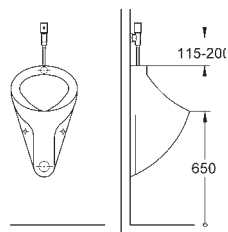
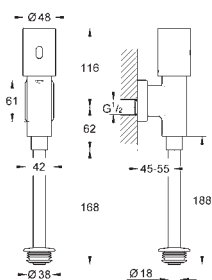
min. 1 Liter



37 751 001

**Tectron
retro-fit unit**

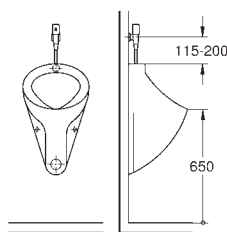
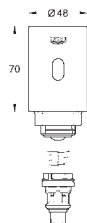
battery supply
exposed installation
for concealed urinal flush valve
37 017 000 and DAL 509
with infra-red electronic
solenoid valve
metal housing
chrome



37 421 000

Tectron Skate

Infra-red electronic for urinal
battery supply 6 V lithium-battery
type CR-P2
exposed installation
CE approved
battery lifetime: approx. 7 years
(150 actuations a day)
with cleaning mode
battery status check
with integrated stop valve

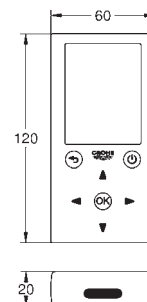


37 427 000

**Tectron
retro-fit unit**

exposed installation
for urinal flush valve 37 021 000
and variants
battery supply 6 V lithium-battery
type CR-P2
CE approved
battery lifetime: approx. 7 years
(150 actuations a day)
with cleaning mode
battery status check

37 428 000 - dito, for 37 339



36 407 000

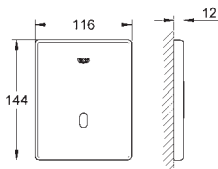
Remote control

Always take into consideration with concealed installation the mounting advantages offered by the on-the-wall installation systems Rapid SL

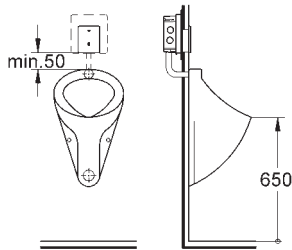
GROHE URINAL INSTALLATION MANUAL / ELECTRONIC ACTUATIONS FOR RAPIDO U



min. 1 Liter



37 321 001



37 321 001

Tectron Skate

set for final installation for Rapido U, infra-red control 210-230 V AC, solenoid valve without roughing-in set

Front plate/Surfaces:

001 chrome

SD1 stainless steel

SH1 white

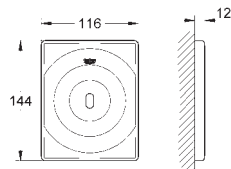
37 324 001

with 6 V DC battery supply

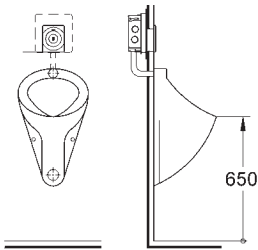
SD1 stainless steel



min. 1 Liter



37 336 001 / 37 337 001



37 336 001

Tectron Surf

set for final installation for Rapido U

infra-red control

210-230 V AC

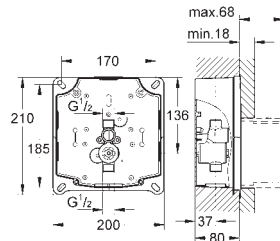
solenoid valve

front plate chrome

without roughing-in set

37 337 0001

with 6 V DC battery supply



37 338 000

GROHE Rapido U

roughing-in set for urinal

for manual actuation or Tectron

infra-red electronic 6 V or 230 V

with stop valve, flush aid

38 787 000

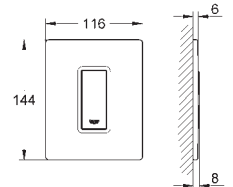
GROHE Rapido UMB

roughing-in set for urinal

for manual actuation or Tectron

infra-red electronic 6 V

with stop valve, flush aid



38 846

Wall plate Skate

Cosmopolitan

with glass surface

plastic actuation button

chrome plated Surfaces:

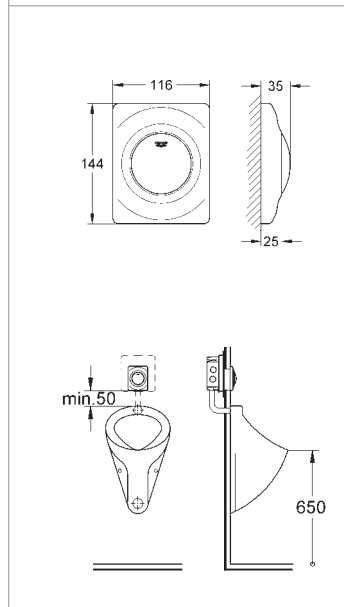
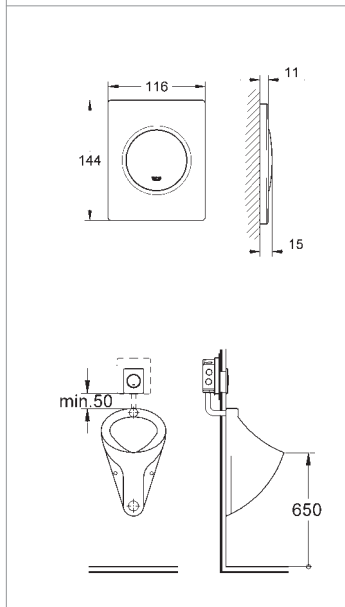
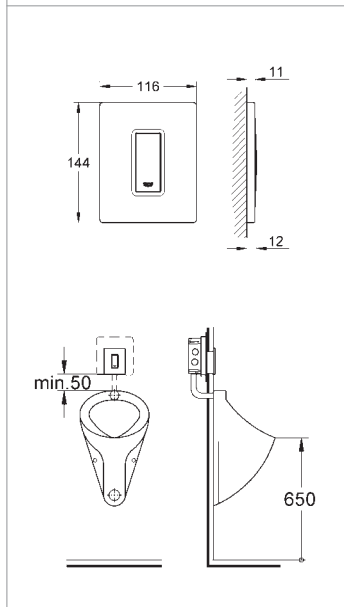
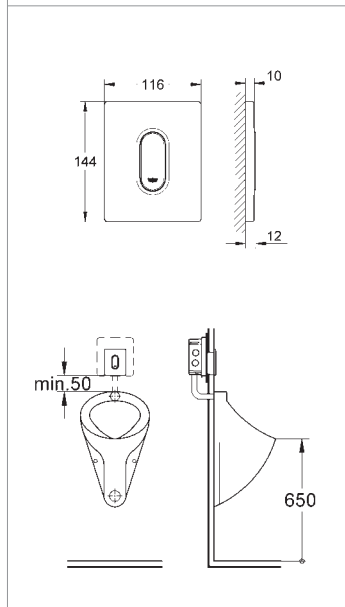
LS0 Moon White

KS0 Velvet Black

MF0 chrom/daVinci satin



GROHE features:
EcoCare
ErgoTouch
TouchFree



38 857

**Wall plate Arena
Cosmopolitan**

manual actuation for urinal
116 x 144 mm
Surfaces:
000 chrome
SH0 alpine white
P00 mat chrome

38 784

**Wall plate Skate
Cosmopolitan**

manual actuation for urinal
116 x 144 mm
Surfaces:
000 chrome
SH0 alpine white
P00 mat chrome
BR0 anti-fingerprint

38 784 SD0

stainless steel
hidden fixing screws

38 804

**Wall plate Nova
Cosmopolitan**

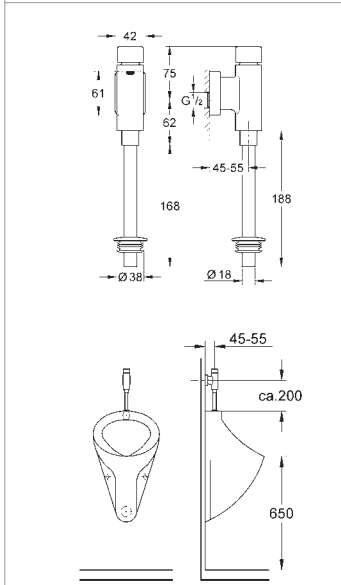
manual actuation for urinal
116 x 144 mm
Surfaces:
000 chrome
SH0 alpine white
P00 mat chrome

38 808

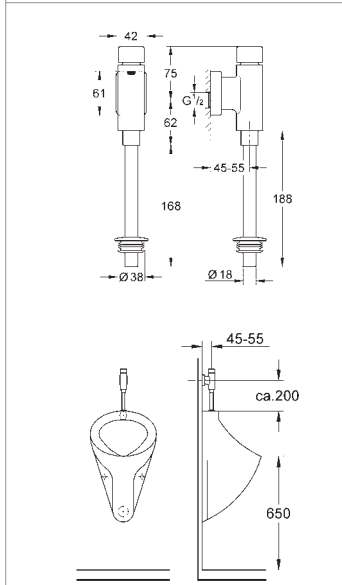
Wall plate Surf

manual actuation for urinal
116 x 144 mm
Surfaces:
000 chrome
SH0 alpine white
P00 mat chrome

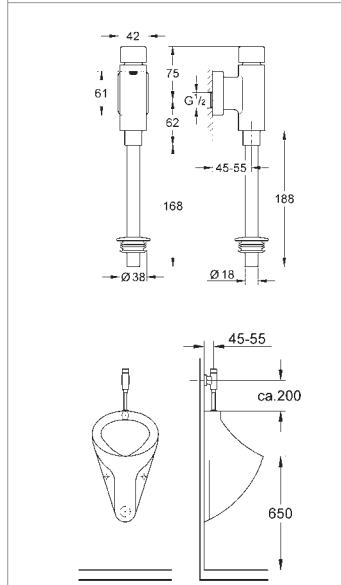
GROHE URINAL INSTALLATION MANUAL FITTINGS, EXPOSED



37 339 000
Rondo
Flush valve for urinal
 1/2", integrated stop valve
 flush pipe 200 mm
 rubber connector with escutcheon
 chrome



37 342 000
Rondo
Flush valve for urinal
 1/2", for heavy duty
 integrated stop valve
 flush pipe 200 mm
 rubber connector with escutcheon
 chrome



37 346 000
Rondo
Flush valve for urinal
 1/2", without integrated stop valve
 flush pipe 200 mm
 rubber connector with escutcheon
 chrome





GROHE PROFESSIONAL
WORK SMARTER

GROHE ACTUATION PLATES

VERSATILE DESIGN FOR ALL OF THE SENSES

At GROHE, we follow through modern bathroom design consistently right down to the WC actuation plate. Apart from the purely functional aspect of flushing, this detail also fulfils an important design function. GROHE has developed a unique and diverse range in which the WC actuation mechanism, which is available in a number of extremely attractive variants, is a core element of the design concept and can be coordinated perfectly with the faucets and other equipment features. Along with products designed to enhance the looks and functionality of any bathroom, the GROHE range includes GROHE Fresh solutions, designed to leave the WC smelling clean and fresh.

- Wide range of design options for every style of bathroom furnishing (Cosmopolitan, Contemporary or Authentic), currently available in more than 130 outstanding designs
- Universal platform: all plates match all WC installation elements; choice of horizontal or vertical installation to suit the individual tile pattern
- Single-flush or dual-flush mechanisms, start/stop function, manual or touchless (electronic) actuations and combinations
- High-quality surface finishes: GROHE StarLight® (highly resistant surface finishes), stainless steel (germ-resistant), glass, wood, leather, print or mirror
- Rapid installation with GROHE EasyConnect (pneumatic hose)



GROHE
StarLight®



GROHE
EcoJoy®

GROHE features:
EcoCare
EasyConnect

GROHE ACTUATIONS ALL ROUNDERS WITH STATE-OF-THE-ART FLUSHING TECHNOLOGY

Water is a precious resource and its treatment is becoming more and more expensive. This means that now is the time to save water. With the state-of-the-art flushing technology from GROHE – the start/stop systems and dual flush – water can be saved in a sensible way and in line with the user's preferences in any given situation.



GROHE
StarLight®



GROHE
EcoJoy®

GROHE features:
EcoCare
EasyConnect



Radiant chrome finish resistant to dirt and tarnishing - stays like new for years.



Integrated water-saving technology reduces water and energy consumption



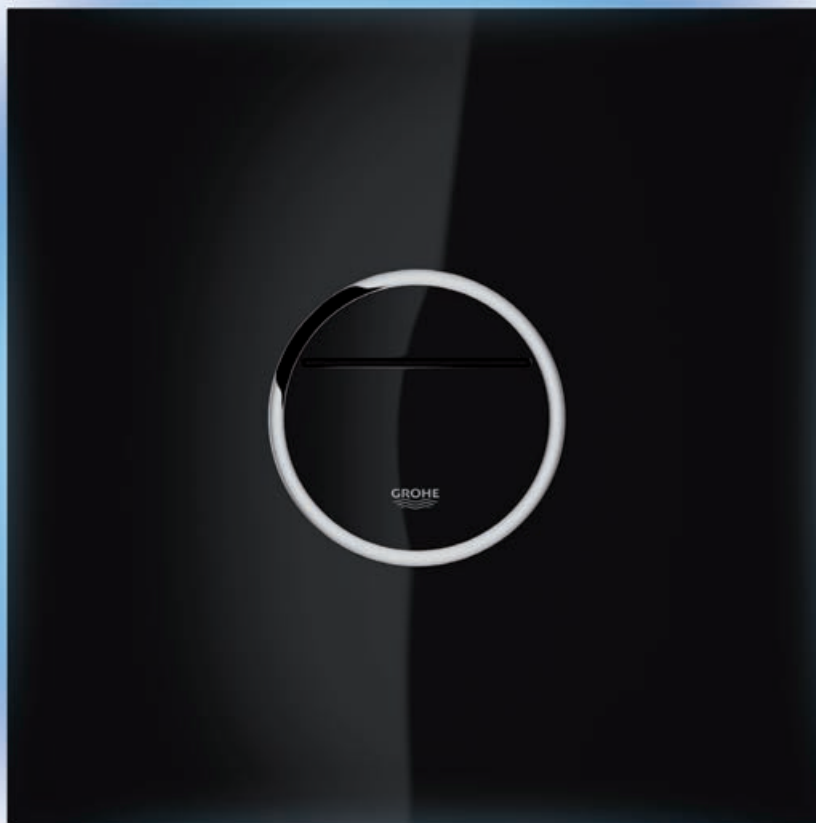
The actuation is connected to the AV1 by a hose. This means straightforward connection without measuring and adjustment, also after maintenance.



Reduces water consumption by more than 50 %. Activation of the GROHE EcoButton releases a smaller water quantity of 3 l.

GROHE ACTUATION PLATES SHINING EXAMPLES OF WC INNOVATION

GROHE PROFESSIONAL
WORK SMARTER



GROHE Ondus® Digitecture Light – add atmosphere to your bathroom

Ambient lighting can set the mood in a living room. Now, thanks to GROHE Ondus® Digitecture Light, you can create the same relaxing atmosphere in your bathroom. You can adapt the background illumination to suit your own taste, with a range of more than 200 colours to choose from.

The WC glass actuation plate is based on the GROHE Ondus® design and available in Velvet Black and Moon White. GROHE Ondus® Digitecture Light sets the scene with a simple combination of a square and a circle and a GROHE StarLight® chrome border around the pushbutton. It measures an elegant 200 x 200 mm. The dual flush is activated touchlessly by tapping the actuation plate.



GROHE
StarLight®



GROHE
EcoJoy®

GROHE features:
EcoCare
EasyConnect



Nova Cosmopolitan Light – changing colours to reflect your mood

GROHE Nova Cosmopolitan Light brings light and colour that you can adapt to suit your mood to an area of your bathroom that would otherwise be cast in shadow: the illuminated ring adds a touch of class to the WC area. The mains-operated LEDs can be adjusted to any colour: with blue, green, red, yellow or a total of 200 shades to choose from. In keeping with the GROHE Cosmopolitan faucets and shower range, the Nova Light actuation plate is based on geometric shapes: the circle and the square. Nova Cosmopolitan Light with the GROHE StarLight® chrome finish can be installed vertically or horizontally.



Arena Cosmopolitan – sporty elegance in a lozenge shape

The lozenge shape of the actuation button lends the Arena Cosmopolitan WC plate a sporty touch. The characteristic lozenge shape takes the key aspects of GROHE design and interprets them with a 'sensual minimalism'. The Arena Cosmopolitan range also includes a model for urinals.

GROHE WALL PLATES INNOVATIVE DESIGN AND CONSTANT INSPIRATION

GROHE PROFESSIONAL
WORK SMARTER



Skate Cosmopolitan Glass – pure transparency

Water and glass share a lot of visual characteristics and complement one another beautifully. This is particularly evident in Skate Cosmopolitan Glass. Polished surfaces and tapered edges reflect precision and quality on both the WC and the urinal. Like all GROHE WC actuation plates, the glass variants can be installed either horizontally or vertically.

A special variant of GROHE Skate Glass are plates installed flush with the wall. GROHE offers an additional matching wall-installation frame for the plates in four finishes: Velvet Black, Moon White, Chrome/daVinci, Chrome/Titanium. With this frame, the glass plate is installed in the wall so that its surface sits flush with the tiles. A tile thickness of at least 8 mm is required. An additional cover frame can also be fitted where there are very wide gaps to ensure that the finished bathroom looks perfect.



GROHE
StarLight®



GROHE
EcoJoy®

GROHE features:
EcoCare
EasyConnect



GROHE ACTUATION PLATES MORE THAN JUST A SURFACE FINISH

GROHE PROFESSIONAL
WORK SMARTER



Skate Cosmopolitan Leather – exudes style and warmth

Leather finishes for WC actuation mechanisms provide a stylish alternative to conventional cover plates. Available in Black, and Tanin Red, the GROHE Skate Cosmopolitan Leather, with its striking finish, is available in either plain or quilted leather. Magnetic mountings, which render the fastening invisible, as well as the GROHE StarLight® chrome finish of the pushbutton and border, complete the design.



GROHE
StarLight®



GROHE
EcoJoy®

GROHE features:
EcoCare
EasyConnect



Skate Cosmopolitan Wood – natural versatility

With two different wood finishes for the WC actuation mechanism, it's easy to make your bathroom instantly more welcoming. Skate Cosmopolitan Wood uses real wood veneers to create an atmosphere of individuality and exclusivity.



Skate Cosmopolitan Anti-fingerprint – be inspired

Nova and Skate Print offer completely new and unique design solutions for those creating modern bathrooms. The stylish Nova and Skate Print surfaces in high-quality chrome show pieces with avant-garde aspirations at their absolute best.

GROHE ACTUATION PLATES COMBINATION MANUAL + TOUCHLESS



Convenient electronics and reliable flushing

Touchless/electronic activation and traditional actuation at the touch of a button are combined in a unique GROHE WC plate. In normal operation, WC flushing is activated automatically through the infrared electronics. The touchless technology is extremely hygienic, as no contact with the plate is required for activation.

Users can also activate additional flushes at the touch of a button if required. Manual single-flush actuation works independently of a power supply, which means that it is functional at all times. The modern Skate design is easy to clean and available in stainless steel (germ-resistant) or with GROHE StarLight® (highly resistant chrome finish). GROHE EcoJoy® technology guarantees economical and resource-conserving water consumption for flushing by using only the amount of water needed.



GROHE
StarLight®



GROHE
EcoJoy®

GROHE features:
TouchFree
EcoCare
EasyConnect



GROHE REMOTE-CONTROL FLUSHING



WC remote control makes flushing much easier. It means you don't have to turn around towards the actuation plate. Instead, simply touch a button on the grab handle or the wall. Depending on the installation, variations are available for all leading manufacturers' of grab rails and buttons.

- Remote activation via direct cable connection:
Connection to WC controls on support grips by manufacturers including Hewi, Keuco, Lehen, Normbau, Pressalit, AMS, Deubad, Erlau, FRELU or FSB, with GROHE receiver in stainless steel (38 759 SD0)
- Wireless remote activation with 230V mains supply:
Connection to WC remote controls on grab rails by various manufacturers of wall switches (manufacturers including: Gira, Jung, Busch Jaeger or Berker) with GROHE wireless technology (39 142 000) and GROHE receiver in stainless steel (38 934 SD0)
- Wireless remote activation with 6V supply:
Connection to WC remote controls on grab rails by various manufacturers of wall switches (manufacturers see above) with GROHE wireless technology (39 142 000) and GROHE receiver inside the cistern (39 141 000)



GROHE
StarLight®



GROHE
EcoJoy®

GROHE features:
TouchFree
EcoCare
EasyConnect

PNEUMATIC



New build and renovation

WIRED



230 V New Build

RADIO CONTROLLED

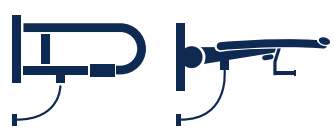


230 V New Build
6 V New Build and Renovation

For all GROHE WC actuation plates, for all major brands of grab rails

For all major brands of grab rails with a cable

For all GROHE WC actuation plates
For all major brands of grab rails with a radio controlled transmitter and for wall switches



TECHNICAL FEATURES:

For flushing cistern 6 - 9 l

Automatic flushing after 72 h

Radio frequency 868.4 MHz

Battery lifetime: 25 years
(at 25 cycles a day)

GROHE FRESH CLEAN AND FRESH AT THE TOUCH OF A BUTTON

GROHE Fresh brings a new level of convenience to the bathroom: with this innovative system, continuous hygiene and a pleasant fragrance are guaranteed with every flush of the WC. Conventional WC tablets can be added to the cistern using an easy-to-access opening in the actuation plate. GROHE Fresh is compatible with all concealed cisterns and is suitable for new installation projects as well as upgrades. Complete sets including actuation plate or upgrade kits are available. For older cisterns, simply remove the retaining frame and insert the tablet holder in the cistern. Then attach the new retaining frame and connect the pneumatic hose to the actuation plate. For cisterns without the pneumatic waste valve, a complete upgrade kit is available.



Standard WC tablets in concealed cisterns? No problem with GROHE Fresh!



1. Simply open the actuation plate.



2. Take your WC tablet.

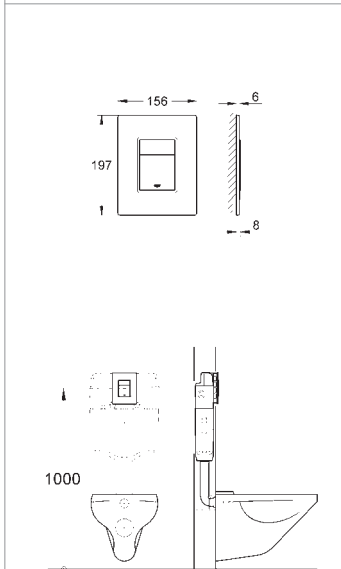


3. Insert the WC tablet.



4. Close the cover and flush for freshness!

GROHE WALL PLATES FOR DUAL FLUSH AND START/STOP



38 845

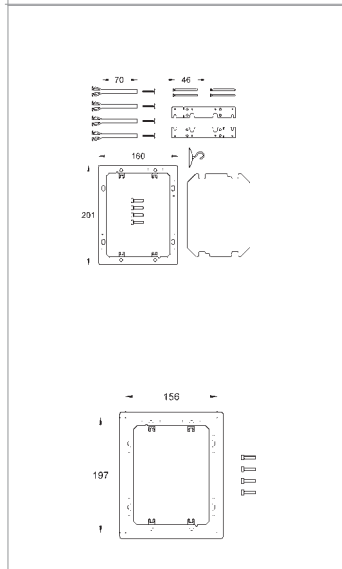
**Skate Cosmopolitan
Wall plate**

with glass surface
made of security glass
vertical and horizontal installation
for pneumatic discharge valve AV1
flushing cistern 6 - 9 l

Surfaces:
LS0 Moon White
KS0 Velvet Black
MF0 chrom/daVinci satin

38 916 0A0

with mirror surface



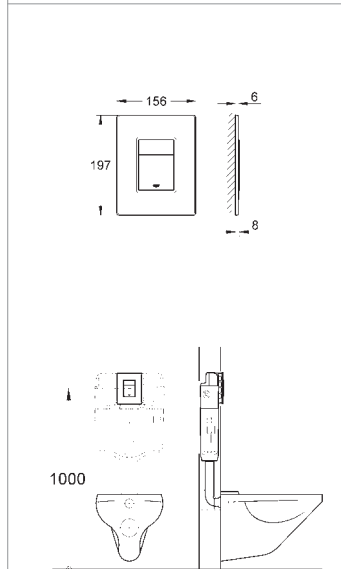
38 957 000

Mounting set

for wall-aligned installation of
Skate Cosmopolitan
with glass surface
for GD 2 and flushing cistern 80 mm
plastic mounting frame, chrome
plated, minimum 8 mm tile
thickness
for vertical or horizontal use
protection plate
dismantling tool for wall plate
fixing material

38 958 000

Covering frame
chrome plated plastic
for covering wide tile joints

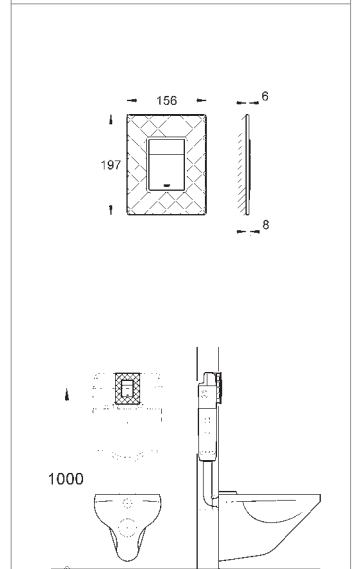


38 849

**Skate Cosmopolitan
Wall plate**

with wood surface
plastic frame and actuation buttons
chrome/mat chrome plated
vertical and horizontal installation
for pneumatic discharge valve AV1
flushing cistern 6 - 9 l

Surfaces:
frame/button chrome:
HP0 american walnuss
HR0 macassar

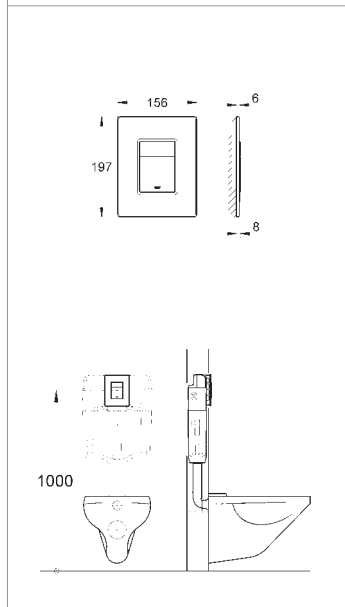


38 913

**Skate Cosmopolitan
Wall plate**

with leather surface quilted
plastic frame and actuation buttons
chrome plated
vertical and horizontal installation
for pneumatic discharge valve AV1
flushing cistern 6 - 9 l

Surfaces:
XM0 tainred
XN0 black



38 914
Skate Cosmopolitan
Wall plate
 with leather surface
 plastic frame and actuation buttons
 chrome plated
 vertical and horizontal installation
 for pneumatic discharge valve AV1
 flushing cistern 6 - 9 l
 Surfaces:
XM0 tan/red
XN0 black

38 732 000
Skate Cosmopolitan
Wall plate
 vertical installation
 for pneumatic discharge valve AV1
 chrome plated
 hidden fixing screws

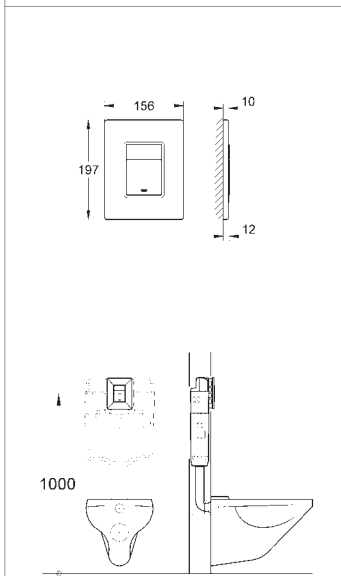
38 821 000
Skate Cosmopolitan
Wall plate
 vertical installation
 for pneumatic discharge valve AV1
 made of brass
 chrome plated

38 732 SD0
Skate Cosmopolitan
Wall plate
 vertical installation
 for pneumatic discharge valve AV1
 stainless steel
 hidden fixing screws

38 776 SD0
 horizontal installation

38 732 BR0
Skate Cosmopolitan
Wall plate
 with anti-fingerprint surface
 vertical and horizontal installation
 for pneumatic discharge valve AV1
 made of ABS

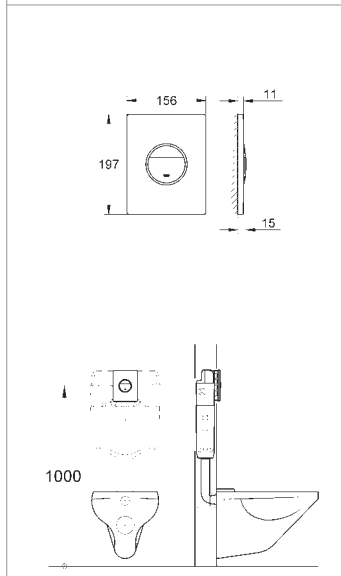
GROHE WALL PLATES FOR DUAL FLUSH AND START/STOP



38 859 XG0

**Skate Cosmopolitan
Wall plate**

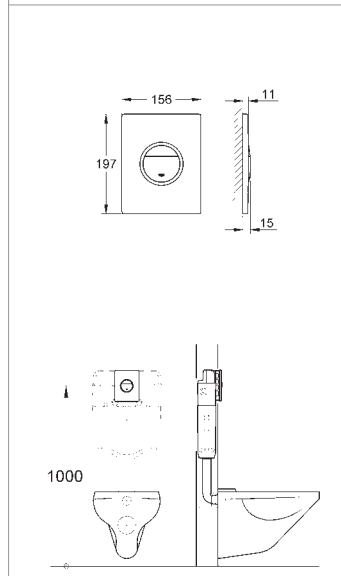
with printed graphics
vertical and horizontal installation
for pneumatic discharge valve AV1
made of ABS



38 766 000

**GROHE Ondus
Wall plate**

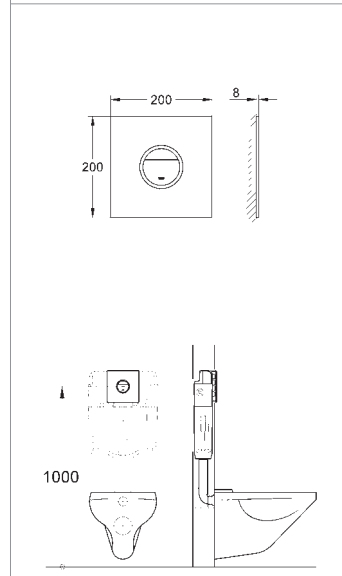
vertical and horizontal installation
for pneumatic discharge valve AV1
made of ABS
chrome,



38 809 000

**Nova Cosmopolitan Light
Wall plate**

external highlighted outline with
LEDs in blue, red, yellow, green
vertical and horizontal installation
for pneumatic discharge valve AV1
made of ABS, chrome



38 915

**GROHE Ondus® Digtecture
Light
Wall plate**

for touch-free flushing activation
external highlighted outline with
LEDs in blue, red, yellow, green
vertical and horizontal installation
for pneumatic discharge valve AV1
made of security glass

Surfaces:

KS0 Velvet Black

LS0 Moon White

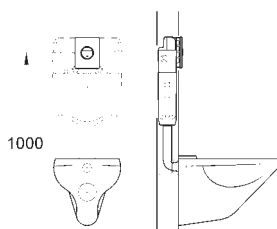
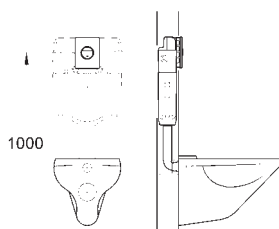
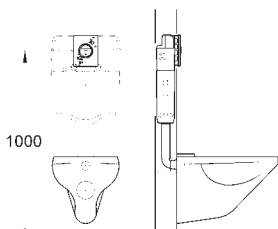
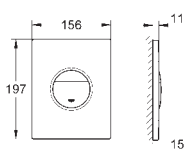
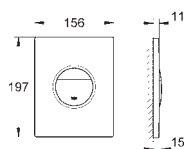
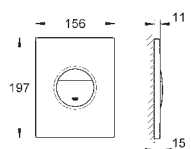


GROHE
StarLight®



GROHE
EcoJoy®

GROHE features:
EcoButton
EasyConnect



38 847

**Nova Cosmopolitan
Wall plate**

with printed graphics
vertical and horizontal installation
for pneumatic discharge valve AV1
made of ABS

Surfaces:

K10 black/chrome

L10 white/chrome

LS0 moon white

38 847 XG0

**Nova Cosmopolitan
Wall plate**

with printed graphics
vertical and horizontal installation
for pneumatic discharge valve AV1
made of ABS

38 765

**Nova Cosmopolitan
Wall plate**

vertical and horizontal installation
for pneumatic discharge valve AV1
made of ABS

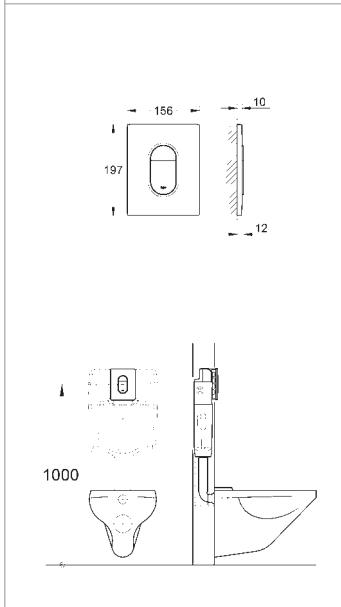
Surfaces:

000 chrome

P00 mat chrome

SH0 alpine white

GROHE WALL PLATES FOR DUAL FLUSH AND START/STOP



38 844

**Arena Cosmopolitan
Wall plate**

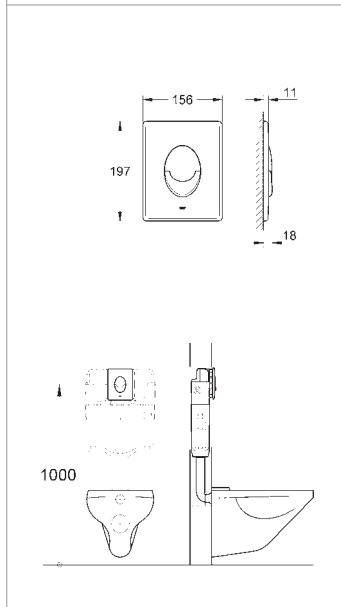
vertical installation
for pneumatic discharge valve AV1
made of ABS

Surfaces:

- 000** chrome
- SH0** alpine white

38 858

horizontal installation



38 505

**Skate Air
Wall plate**

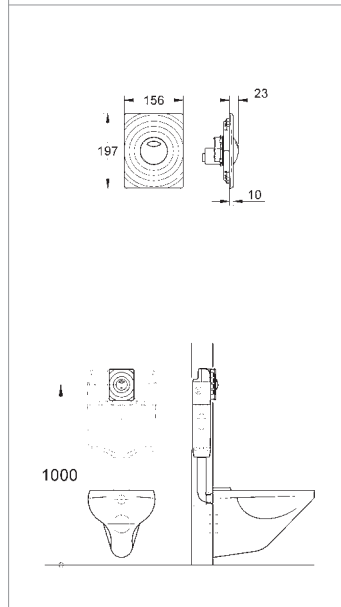
vertical installation
for pneumatic discharge valve AV1
made of ABS

Surfaces:

- 000** chrome
- P00** mat chrome
- SH0** alpine white

38 506

horizontal installation



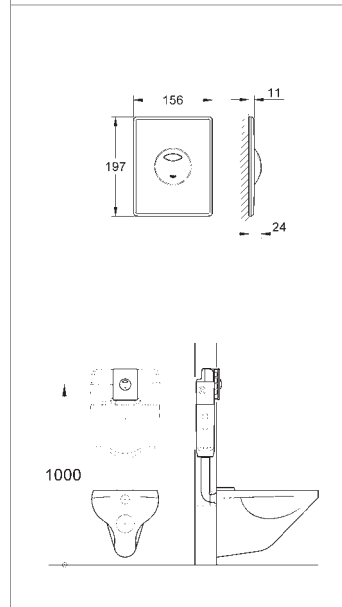
38 861

**Surf
Wall plate**

vertical installation
for pneumatic discharge valve AV1
made of ABS

Surfaces:

- 000** chrome
- P00** mat chrome
- SH0** alpine white



38 862

**Skate
Wall plate**

vertical installation
for pneumatic discharge valve AV1
made of ABS

Surfaces:

- 000** chrome
- P00** mat chrome
- SH0** alpine white

38 862 SD0

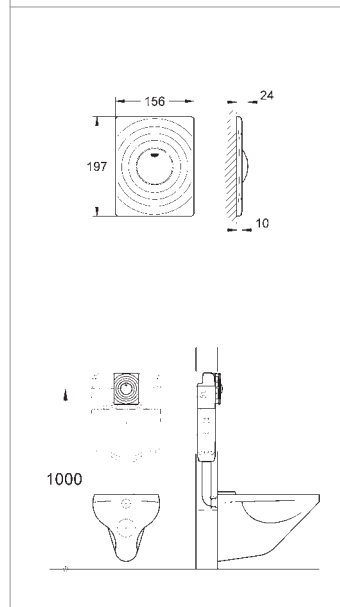
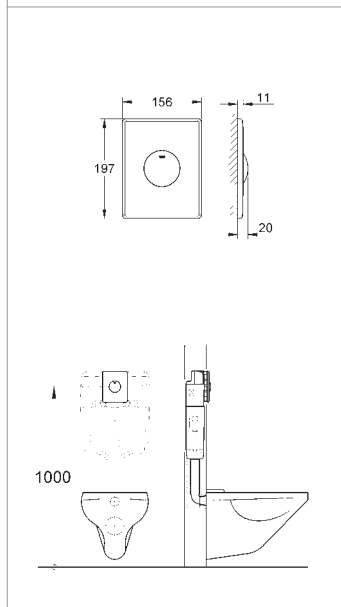
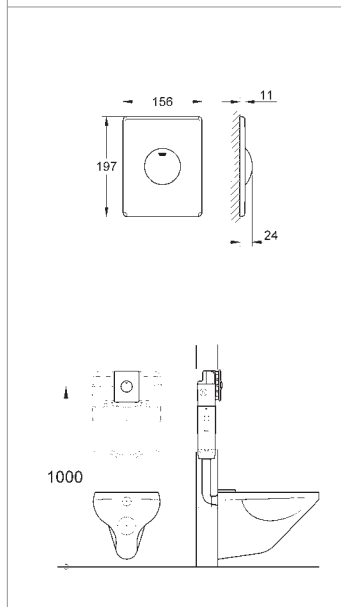
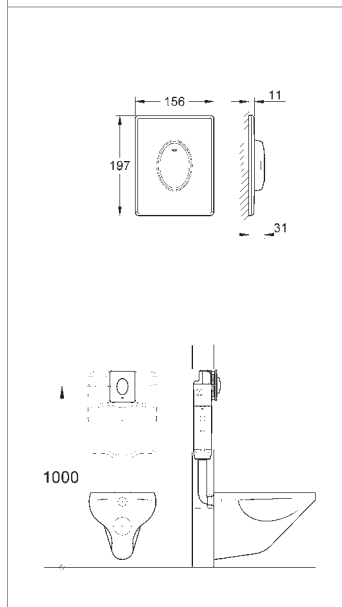
stainless steel



EcoButton
EasyConnect

Always take into consideration with concealed installation the mounting advantages offered by the on-the-wall installation systems Rapid and Uniset.

GROHE WALL PLATES FOR SINGLE FLUSH AND START/STOP



38 564
Skate Air
Wall plate
for single flush actuation
vertical installation
for pneumatic discharge valve
made of ABS
Surfaces:
000 chrome
P00 mat chrome
SH0 alpine white

38 565 Skate Air*
horizontal installation

38 573
Skate
Wall plate
for single flush actuation
vertical and horizontal installation
for pneumatic discharge valve
made of ABS
Surfaces:
000 chrome
P00 mat chrome
SH0 alpine white

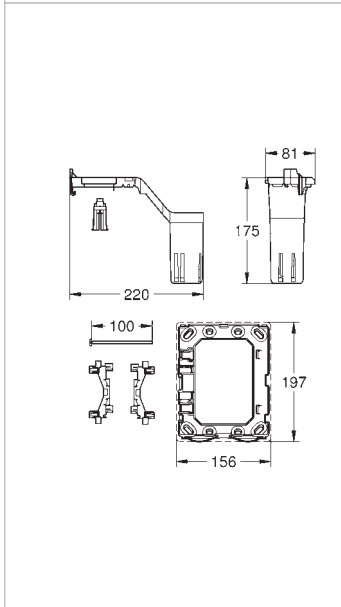
38 672 SD0
Skate
Wall plate
stainless steel
vertical installation
push button actuation
for pneumatic discharge valve
plastic fixing frame
hidden fixing screws

38 574 000
Surf
Wall plate
for single flush actuation
vertical and horizontal installation
for pneumatic discharge valve
made of ABS
chrome

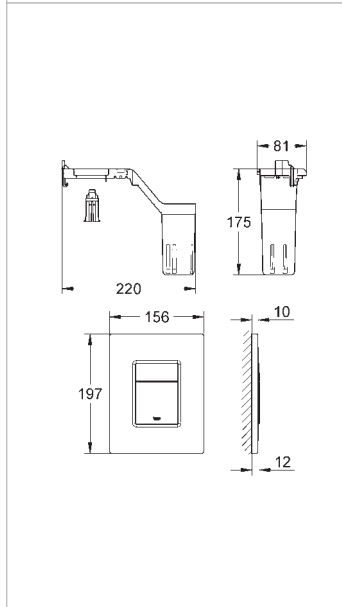
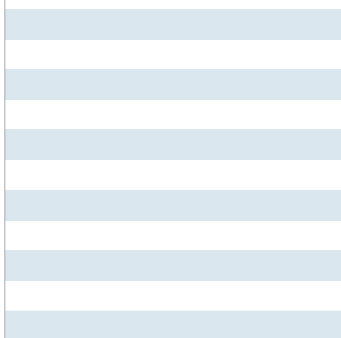


* Certified actuation for less able people
Skate Air Single Flush is certified by the German GGT-seal „good“. The push button which juts out 20 mm is particularly qualified for people with limited freedom of movement

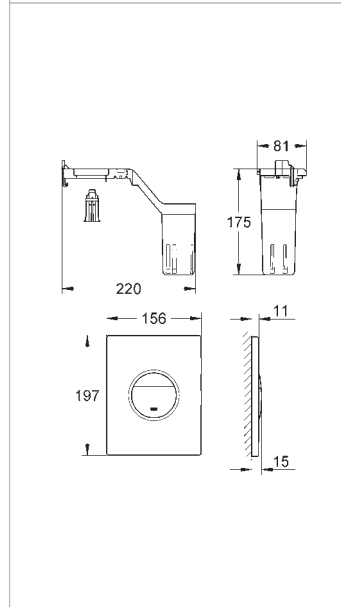
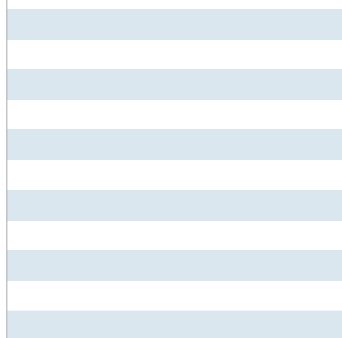
GROHE FRESH CLEAN FRESHNESS AT THE PUSH OF A BUTTON



38 796 000
GROHE Fresh retro-fit set
for GROHE flushing cisterns with AV1 and small inspection shaft
fixing frame with box for support of aromatic tabs



38 805 000
SkateCosmopolitan Set Fresh
Wall plate Skate Cosmopolitan with GROHE Fresh fixing frame
with box for support of aromatic tabs

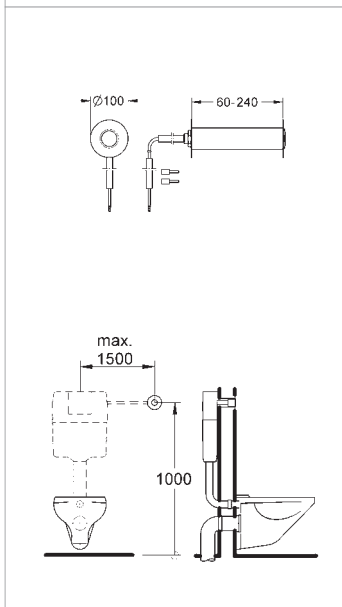
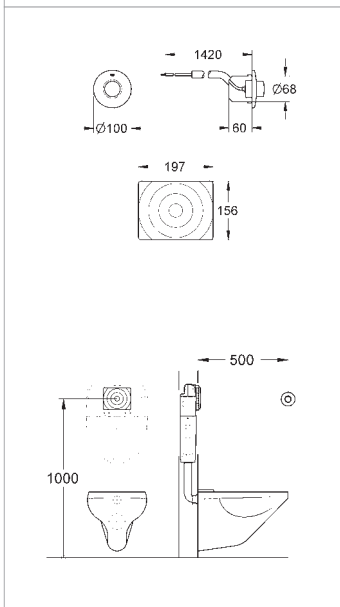
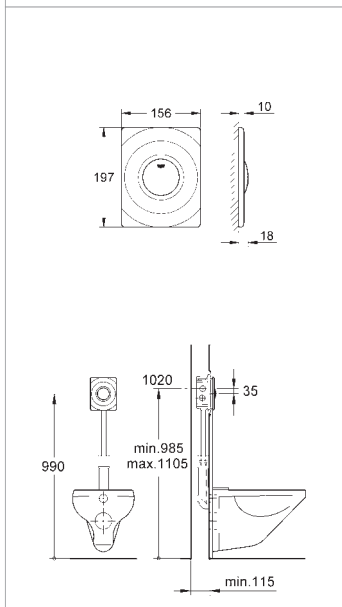
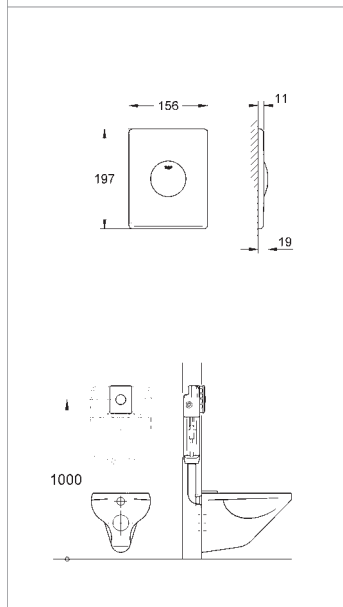


38 799 000
NovaCosmopolitan Set Fresh
Wall plate Nova Cosmopolitan with GROHE Fresh fixing frame
with box for support of aromatic tabs

37 798 000
Skate Air Set Fresh
with wall plate Skate Air



GROHE WC ACTUATIONS FOR FLUSHING CISTERNS AND FLUSH VALVES



37 547
Skate
Wall plate
 vertical installation
 156 x 197 mm
 push button actuation
 made of ABS
 Surfaces:
000 chrome
P00 mat chrome
SH0 alpine white

37 063
Surf
Wall plate
 vertical installation
 156 x 197 mm
 push button actuation
 made of ABS
 Surfaces:
000 chrome
SH0 alpine white

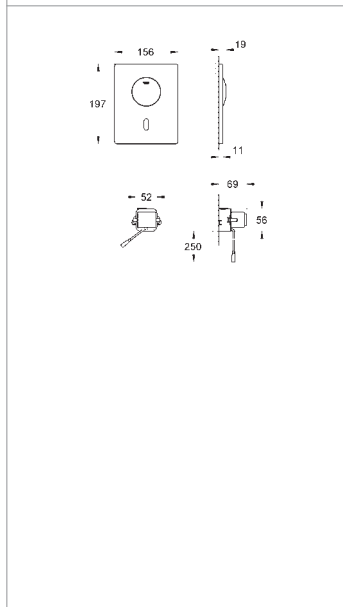
37 059 000
Pneumatic actuation
 remote manual actuation
 push button actuation
 with escutcheon Ø 100 mm
 vertical and horizontal installation
 wall plate Surf 156 x 197 mm
 pneumatic hose 1.50 m
 chrome

37 060 000
 without wall plate

43 977 000
Pneumatic actuation
 remote manual actuation
 for institutional requirements
 push button actuation with
 escutcheon Ø 100 mm
 chrome
 for walls of 80 - 240 mm
 thickness
 actuation stop
 pneumatic hose 1.50 m
 without wall plate

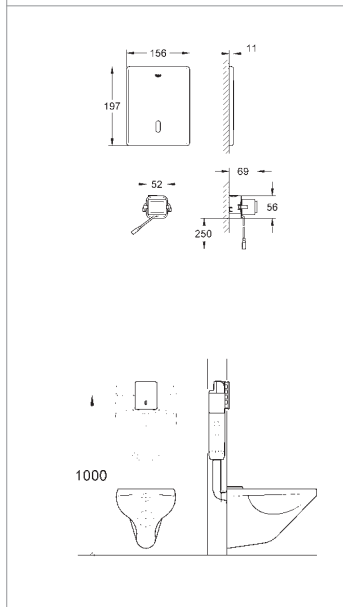
Always take into consideration with concealed installation the mounting advantages offered by the on-the-wall installation systems Rapid and Uniset.

GROHE WC ACTUATIONS ELECTRONIC FOR FLUSHING CISTERNS/FLUSH VALVES

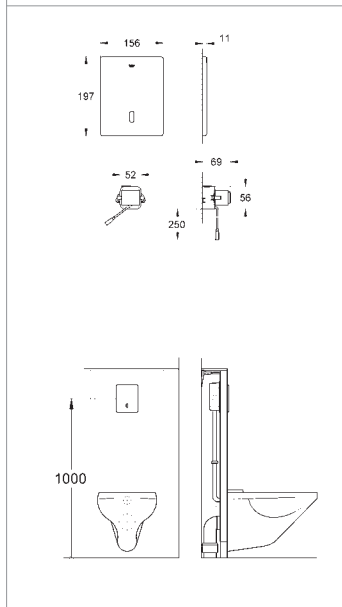


37 419 000
Tectron Skate
 infra-red control
 with additional manual actuation
 for flushing cistern GD 2
 GROHE StarLight® chrome finish
 concealed installation
 CE approved
 hidden fixing screws
 push button actuation
 for single flush actuation
 servo motor, transformer for
 external installation
 operating voltage 230 V AC,
 50/60 Hz, 4.0 VA

37 419 SDO
 stainless steel



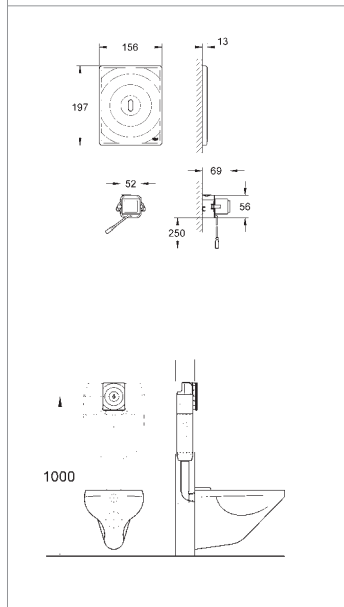
38 698 SD1
Tectron Skate
 for flushing cistern GD2
 concealed installation
 infra-red control
 210-230 V AC
 servo motor
 wall plate stainless steel



38 393 SD1
Tectron Skate
 for WC flush valve
 concealed installation
 infra-red control
 210-230 V AC
 servo motor
 wall plate stainless steel

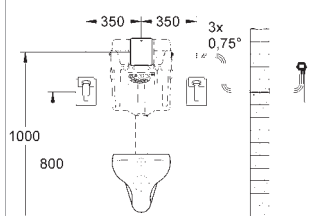
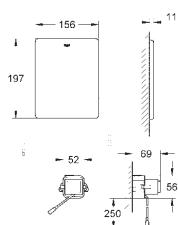
36 221 000
 Extension cable 3 m

36 222 000
 Extension cable 10 m

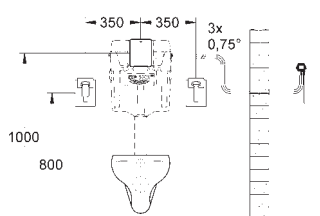
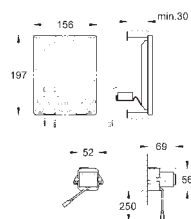
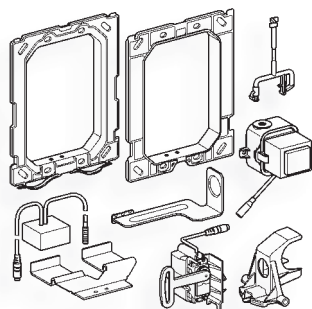


38 699 001
Tectron Surf
 for flushing cistern GD2
 concealed installation
 infra-red control
 210-230 V AC
 servo motor
 wall plate chrome

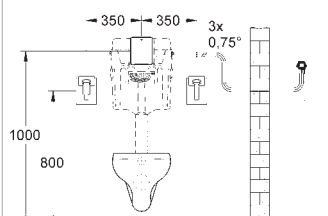
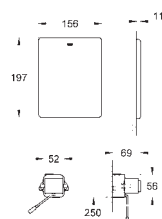


**38 759 SD0****Radio electronic**

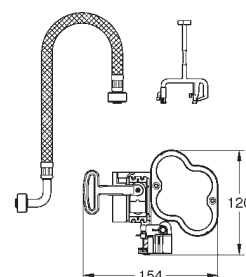
for WC flushing cistern
concealed installation
wall plate 156 x 197 mm
stainless steel
for support rails of HEWI, Keuco,
Normbau

**38 778 000****Radio electronic**

for an additional wall plate
for manual actuation
for WC
for support rails for the disabled
with radio transmitter of HEWI,
Keuco, Normbau

**38 934 SD0****WC control**

for manual remote actuation for
concealed flushing cisterns 6 - 9 l
for connecting one or more
potential-free actuation buttons
suitable for support rails for the
disabled with integrated actuation
buttons from Hewi, Keuco,
Lehnen, Normbau, Pressalit,
AMS, Deubad, Erlau, FRELU, FSB
stainless steel wall plate
156 x 197 mm
transformer for external
installation operating voltage
230 V AC, 50/60 Hz
4,0 VA servo motor
3 m connection cable

**39 141 000****Radio electronic**

for WC with flushing cistern GD2
receiver modul 868,4 MHz
for wall sender 39 142 000 or
radio transmitter 38 758 000
CE-approved, servo motor
integrated battery box for 4 x 1.5
V Mono D (LR20)
adjustable flush volume
72 h flushing can be activated

39 142 000

Radio transmitter for WC receiver
module 39 141 000, 38 759 SD0,
38 934 SD0, frequency 868.4 MHz
with option for Dual Flush
CE-approved

GROHE COSMOPOLITAN DESIGN

WC actuations

GROHE
Ondus®



chrome



Digitecture Light/
velvet black



Digitecture Light/
moon white

Nova



chrome



matt chrome



alpine white

Cosmopolitan



black /
chrome



moon white /
eco green



white /
chrome



black graphics

Cosmopolitan
Print



chrome

Light

Skate



chrome



matt chrome



alpine white



titanium/
anti-fingerprint



stainless steel



black graphics
print

Cosmopolitan



high glossy
velvet black



high glossy
moon white



chrom/
daVinci satin



Glass



Mounting set for
wall-aligned installation

Cosmopolitan
Glass



walnut /
chrome



macassar /
chrome

Cosmopolitan
wood



taininred



black

Cosmopolitan
Leather,
quilted



taininred



black

Cosmopolitan
Leather

Arena



chrome



matt chrome

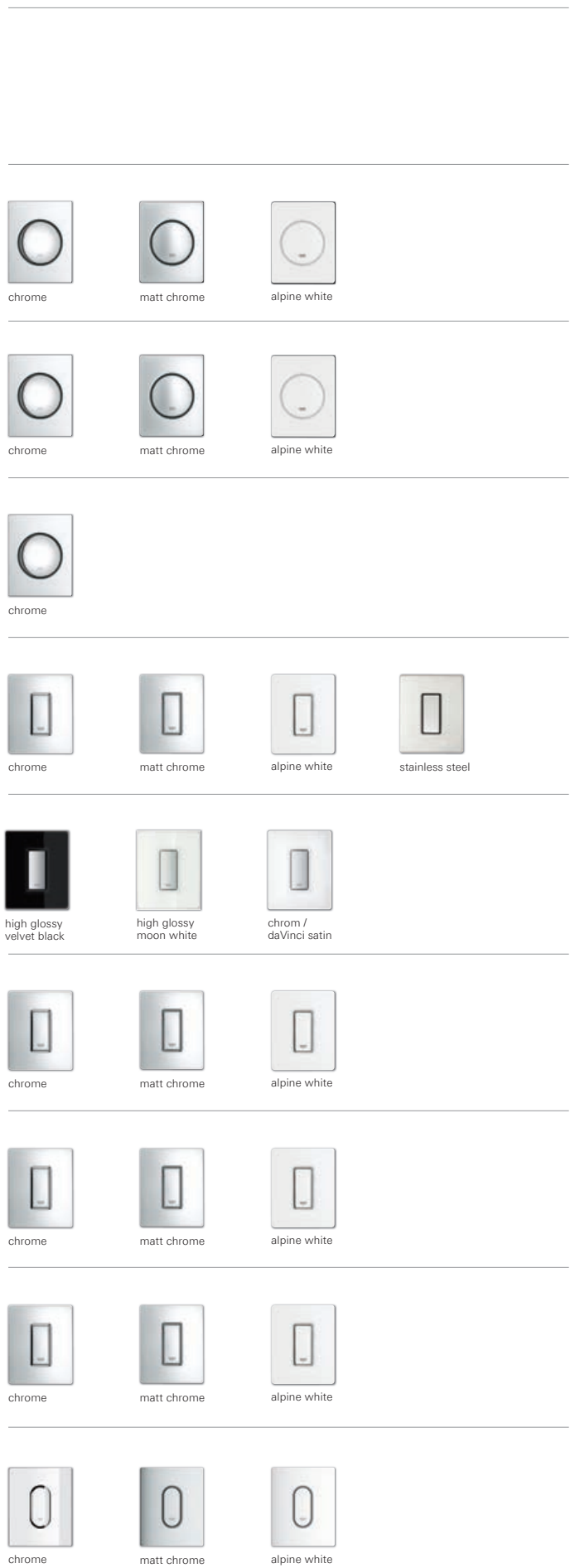


alpine white

Cosmopolitan
















Urinal actuations

Possible combinations







GROHE CONTEMPORARY DESIGN

WC actuators

Skate Air				
Single Flush	chrome	alpine white		
Dual Flush				
	chrome	mattchrome	alpine white	
Skate				
Single Flush	chrome	mattchrome	alpine white	Edelstahl
Dual Flush				
	chrome	mattchrome	alpine white	
Electronic actuation		combination manual/ electronic		
	stainless steel 230 V		chrome	stainless steel

GROHE AUTHENTIC DESIGN











Surf				
Single Flush	chrome	alpinweiß		
Dual Flush				
	chrome			
Electronic actuation				
	stainless steel 230 V			

Urinal actuations














Possible combinations



Manual actuation Dual flush and start & stop									
									
	38 766 vertical and horizontal installation	38 809 vertical and horizontal installation	38 847 vertical and horizontal installation	38 847 XG0 vertical and horizontal installation	38 765 vertical and horizontal installation	38 844 vertical installation	38 505 vertical installation	38 861 vertical and horizontal installation	38 862 vertical and horizontal installation
						38 858 horizontal installation	38 506 horizontal installation		38 862 SD0 vertical and horizontal installation
	38 766 horizontal installation	38 809 horizontal installation	38 847 horizontal installation	38 847 XG0 horizontal installation	38 765 horizontal installation	38 858 horizontal installation	38 506 horizontal installation	38 861 horizontal installation	38 862 horizontal installation

GROHE WC & URINAL ACTUATIONS SELECTION GUIDE

WC	Manual actuation start & stop				Manuel electronic	Infra-red electronic	Radio electronic		Pneumatic actuation	Push button
										
 38 528 001 38 643 001 38 661 000	38 564 vertical installation 38 565 horizontal installation	38 672 SD0 vertical installation	38 573 vertical and horizontal installation	38 574 vertical and horizontal installation	37 419 vertical installation	38 699 001	39 141 000	38 759 SD1 38 758	37 059 37 060	38 934 SD0
 38 525 001 38 415 001 38 422 000	38 565 horizontal installation		38 573 horizontal installation	38 574 horizontal installation					37 060	
 38 519 001 37 153 000		38 445 SD0 vertical installation	37 547 vertical installation	37 063 vertical installation						

Urinal	Manual actuation					Infra-red electronic		Radio electronic
								
 38 511 001 38 387 000 Radio electronic								38 386 Set for final installation 37 002 000 Tiling set
 38 787 000 GROHE Rapido UMB manuel / 6 V	38 846	38 857	38 784	38 804	38 808	37 337 001	37 324 001	
 38 786 001 37 785 000 37 338 000 manuel / 230 V / 6 V	38 846	38 857	38 784	38 804	38 808	37 336 001/ 37 337 001	37 321 001/ 37 324 001	



GROHE PROFESSIONAL
WORK SMARTER

GROHE PLANNING

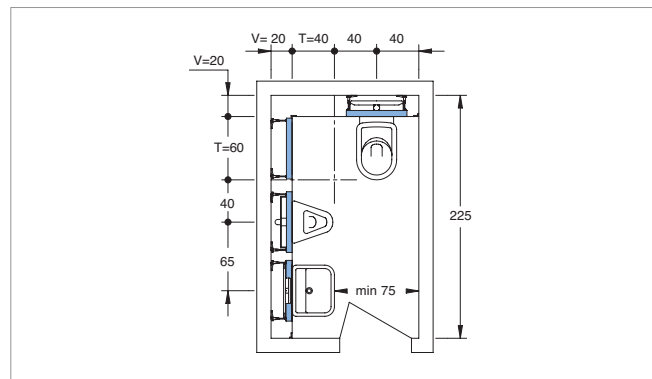
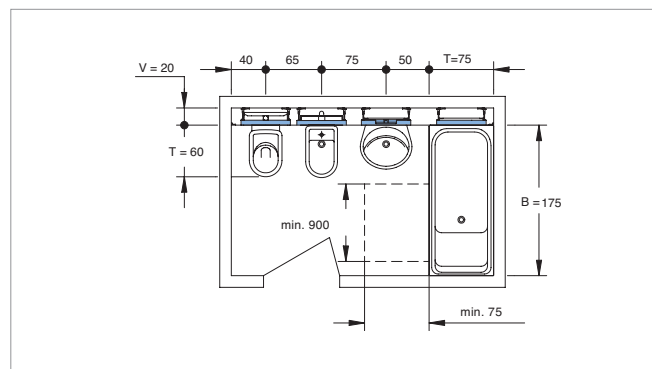
Whether you're planning public sanitary facilities, bathrooms in an apartment building or a private bathroom, GROHE products offer impressive flexibility as well as fast and clean installation. Sound planning is the basis for the ideal solution. This includes interesting special solutions for private bathrooms – such as free-standing or space-saving solutions - as well as consideration of measurements of products used and the necessary space required between them for free movement. GROHE Whisper® technology also allows freedom of design when it comes to noise control. Certification from the renowned Fraunhofer Institute confirms the excellent noise control properties of the GROHE Rapid SL and Uniset elements.

GROHE PLANNING INSTALLATION SYSTEMS – AREAS OF APPLICATION, DISTANCES AND DIMENSIONS

Areas of utilisation for the installation systems								
	Masonry < 80 mm	Masonry > 80 mm	LSWP, single 75x50x 0.6mm	LSWP, double 50x50x 0.6mm	Free- standing*)	Parquetry >19 mm	Concrete	Floor pavement >50 mm
Rapid SL WC/bidet load feet	+		+	+	+	-	+	-
Rapid SL WC/bidet	-		+	+	-	+	+	+
Rapid SL wash basin/urinal	-		+	+	+	+	+	+
Uniset	-		-	-	+	+	+	+

*) Free-standing walls shall only be mounted on concrete floors. LSWP = lightweight studded wall partitions

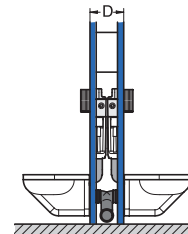
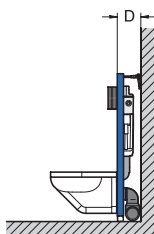
Fixture dimensions							
1. Average fixture dimensions	W: 60 D: 55	W: 50 D: 40	W: 40 D: 60	W: 40 D: 40	W: 40 D: 60	W: 80 D: 80	W: 175 D: 75
2. Room for movement for using the fixtures							
3. Min. fixture clearances							
a. Axis clearances							
b. Shower bath tub							
c. Side wall							
c. Side walls							








Structural depths

* = Horizontal waste water connection – dimensions stated without cladding

1) = Vertical waste - water connection



	DN 50	DN 90	DN 100	DN 50	DN 90	DN 100
 Actuation from front  Actuation from front or above   	-	140 ¹⁾ /170*	165 ¹⁾ /180*	-	265	265
	-	175	175/180*	-	-	-
	130	170*	180*	170	220	230
	130	170*	180*	265	265	265
	130	170*	180*	240	265	265

Minimum clearance for Rapid SL

Wall clearance

The installation depth of Rapid SL is adjustable. The object with the largest wall clearance determines the overall wall clearance.

Side clearance

If the distance between the elements or from the element to the side wall

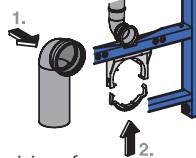
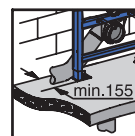
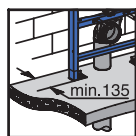
- is greater than 600 mm in the case of on-site panelling with plasterboard/plaster fibre board,
- is greater than 450 mm in the case of Rapid SL panelling, a support element must be used.

Support element

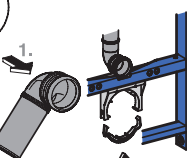
For distances from 450 to 1,200 mm.

Outlet bend with depth adjustment

Against the run of the wastewater pipe the DN 80 outlet bend can be installed in 2 positions of depth in the clip.



Back position for vertical connection of the wastewater pipe.



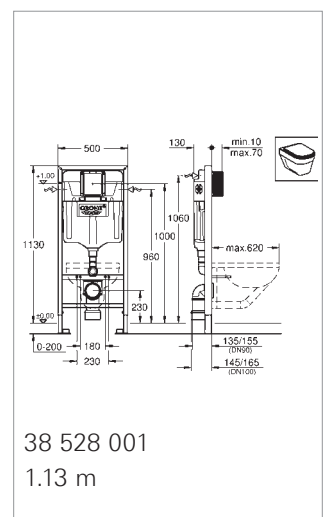
Front position for horizontal connection of the wastewater pipe.

GROHE PLANNING RAPID SL – BASICS OF MATERIAL SELECTION

Guidelines for material selection with a partial-height studded wall

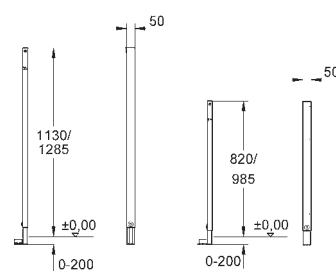
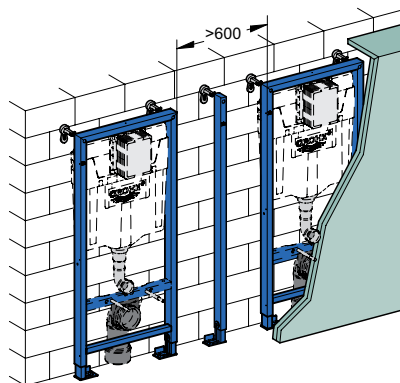
1. Selecting the elements.
2. Support elements: how big are the distances between the elements and to the next wall connection?
3. Wall connection: what type of wall connection is it – two-sided, single-sided or no wall connection?

1. Selecting the elements	1.13 m	1.00 m	0.82 m	
Elements are taken into account in material selection with a width of 500 mm.	WC	38 528 001	38 525 001	38 526 000
	Urinal	38 786 001 (manual + infra-red) 38 511 001 (Radar)		
	Wash basin	38 554 001 (for single hole installation) 38 557 001 (ditto, but without fitting connections)	38 541 000	
	Bidet	38 553 001	38 545 000	38 543 000



2. Support elements

- 600 mm in the case of on-site panelling with plasterboard/plaster fibre board,
- 450 mm in the case of Rapid SL panels, a support element must be used between the elements or from the element to the side wall.




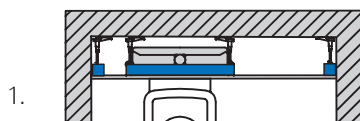
38 549 001
1.13/1.30 m


38 550 000
1.00/0.82 m

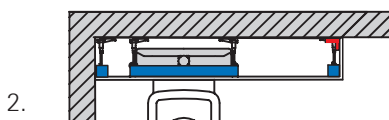
3. Wall connection with wall brackets and support elements


Wall brackets and support elements are used to fasten panels to masonry and form corners.

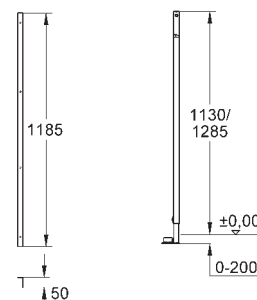
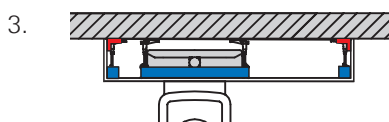
1. Two-sided wall connection: 
2 support elements



2. One-sided wall connection: 
2 support elements +
1 wall bracket



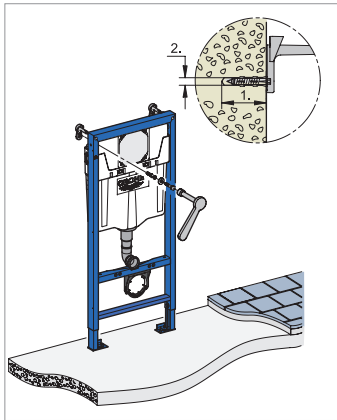
3. No wall connection: 
2 support elements +
2 wall brackets



37 220 001
1,13/1,00/
0,82 m
wall bracket

38 549 001
1,13/1,30 m
support
frame

GROHE PLANNING RAPID SL – PLANNING INSTRUCTIONS FASTENINGS

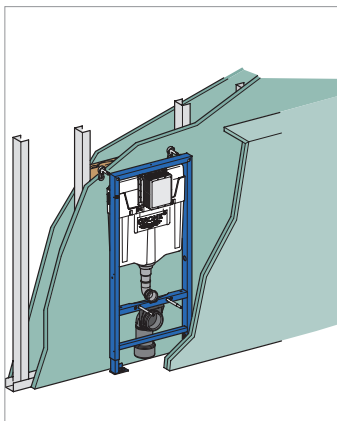


Studded wall installation on masonry:

Rapid SL can be fastened to all adequate load-bearing masonry.

- The screws and dowels supplied can be used in solid masonry
- Suitable special dowels must be used in walls made from materials with lower compressive strength

1. Depth of drilled hole = dowel length + 10 mm
2. Drill diameter = dowel diameter



Studded wall installation in front of lightweight stud partitions:

Rapid SL can also be installed in front of lightweight stud partitions.

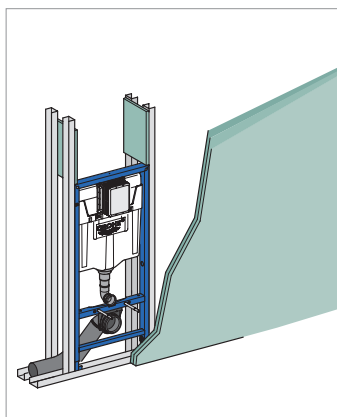
Minimum dimensions for metal stud partitions

- Single stud partition, CW profiles 75 x 50 x 0.6 mm.
The profiles positioned behind the respective WC and bidet elements must be designed as UA profiles 75 x 40 x 2.0 mm.
- Double stud partition with fishplating, e.g. Knauf W116, CW profiles 50 x 50 x 0.6 mm.

Minimum dimensions for wood stud partitions

- Single stud partition 80 x 48 mm.
- Panelling: 2 x 12.5 mm plasterboard or 1 x 12.5 mm plaster fibre board.

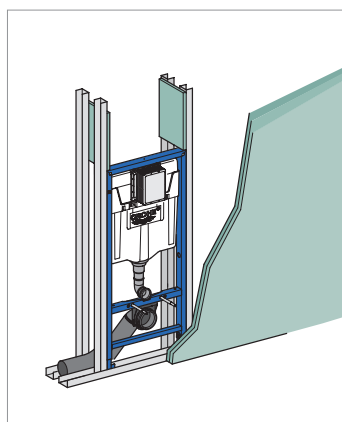
It is preferable that the elements are secured to a water-resistant laminated wood panel, which is fitted between two profiles so that it is flush with the front edge of the profile behind the panelling.



Installation in room-height metal or wood stud partitions

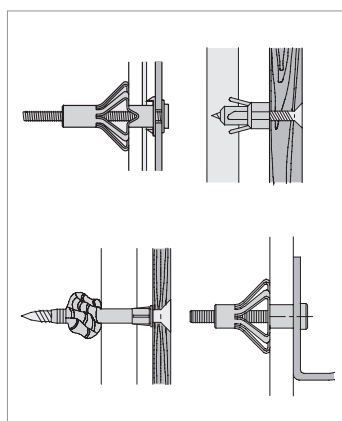
Rapid SL can be installed in lightweight metal stud partitions to DIN 18183. The wall can be constructed in accordance with the worksheets for Rigips plumbing wall 50 or Knauf W116. Accurately fitting element feet for UW-50 and UW-75 profiles ensure that the elements are easily positioned on the front edge of the stud partition. They are secured at the sides to metal stud partitions with self-tapping screws.

Timber uprights – min. dimensions 80 x 48 mm – are required for wood stud partitions. The elements are secured with four wood screws in wood stud partitions.



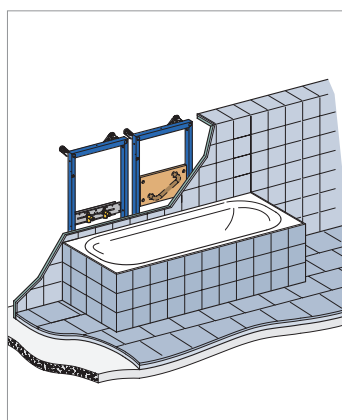
Attachment to the floor:

Rapid SL can be installed on all finished or unfinished load-bearing floors. The maximum adjustment range is 200 mm.



Fixing of equipment fixtures

Equipment fixtures can easily be fixed to tiled plasterboard. Light and medium loads, such as towel holders, toilet roll holders, mirror cabinets etc. can be secured directly to the wall using the standard fixings (KS universal dowels) or with metal cavity dowels.



Heavy loads, such as bath grips, bathroom furnishings etc.

Heavy loads, such as bath grips, bathroom furnishings etc. are secured to a 19-mm thick water-resistant laminated wood panel. Support bars for the disabled are secured with retaining element 38 559 001.

For planning, we recommend informing the client/customer that the inclusion of handles at an early stage can prevent costly retrofitting later on. As users/residents get older, demand for aids such as additional handles or bath grips, shower seats etc. increases. This frequently requires structural changes in sanitary facilities. With modifications made at a later stage, damage to tiles etc. may be unavoidable, whereas forward-looking planning means lower follow-up costs in the long term.

GROHE PLANNING RAPID SL – PLANNING INSTRUCTIONS FOR SPECIAL AREAS OF APPLICATION



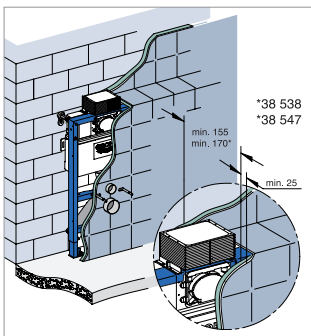
Element with cistern, 0.82 m installation height.

WC bowl with short reach:

Depending on the type of wall-mounted WC used, the open WC lid may rest against the actuation plate. In the case of WC bowls with a reach of less than 50 cm, such as

- V&B Viala 765310, Viala 765210
- Keramag Renova-Comprimo 204550
- Joly 203060
- Duravit Duraplus 022809.00

the possibility of the lid falling down cannot be excluded. Actuation from above must always be used in such cases.



Installation depths

For actuation from the front, there are no restrictions.

For actuation from above, minimum installation depths must be observed:

- 155 mm for Rapid SL
- 170 mm for Uniset.

Use of the plates

In general, all plates are suitable for use from the front and from above.

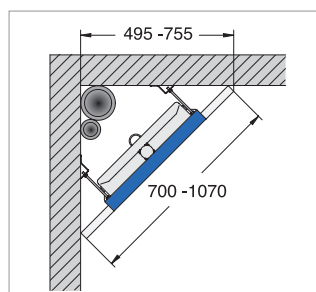
Free-standing installation

Particularly large bathrooms can be elegantly designed with optimum use of the space in the centre of the room when using a free-standing installation. Free-standing WC elements can be installed only on the unfinished (concrete) floor.

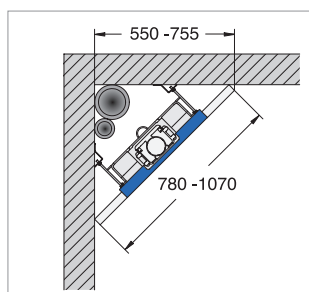
1. Define installation position
Adjust element height, secure the set height
2. Fit element on the floor
3. Connect wall brackets
Ensure the same element clearance at the top and bottom
4. In addition:
Vertical fixing for elements with an installation height of 1.13 m with 12.5 mm plasterboard

CORNER INSTALLATION

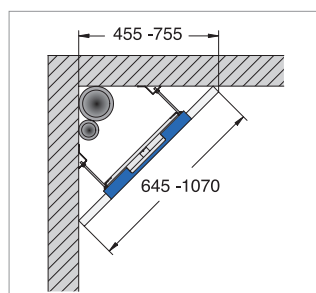
Corner installation set: All Rapid SL elements can be installed in the corner of any room with the corner installation set 38 562 000.



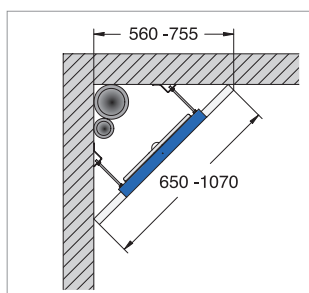
WC element, with flushing cistern GD 2, 1.13 m



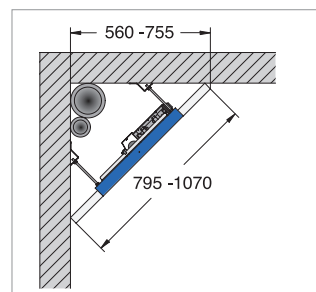
WC element, with flushing cistern 0.82 m or 1.00 m



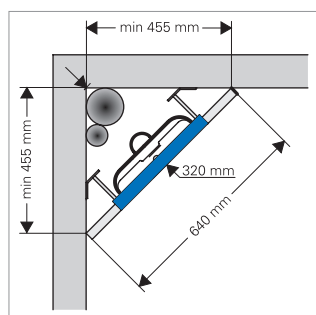
Wash basin element, 1.13 m



Urinal element, with manually actuated urinal flush valve 37 338 000, 1.13 m



Urinal element, with infra-red electronic, 1.13 m



Corner element for WC

The corner element for WC permits optimum use of the space available. Particularly in small bathrooms or toilets, it opens up completely new possibilities for

- Actuation from front - the top can be used for other purposes
- Space for supply and disposal pipes
- For floor constructions up to 200 mm
- Installation height 1.00 m

GROHE PLANNING OPTIMUM SOLUTIONS WITH INSTALLATION AND FLUSHING SYSTEMS

The Fraunhofer Institute for Building Physics carried out noise measurements with Rapid SL and Uniset under real-life conditions. The excellent measurement results of all products meet the requirements of DIN 4109/A1, VDI 4100 or DIN 4109, Supplement 2.

This section establishes values that deviate from the standard noise control level of 30 dB(A) (DIN 4109/A1), namely:

- Increased noise control requirements of 27 dB(A)*
- Comfort noise control of 24 dB(A)*

* Applies to apartment buildings. For semi-detached and terraced houses, the values are 25 dB(A) for increased noise control requirements and 22 dB(A) for comfort noise control.



Enhance the quality of living with noise protection.

You can improve the quality of living in both older and more recent buildings by concentrating thoroughly on noise protection. In order to comply with the noise protection requirements contained in DIN 4109, we recommend to do the following:

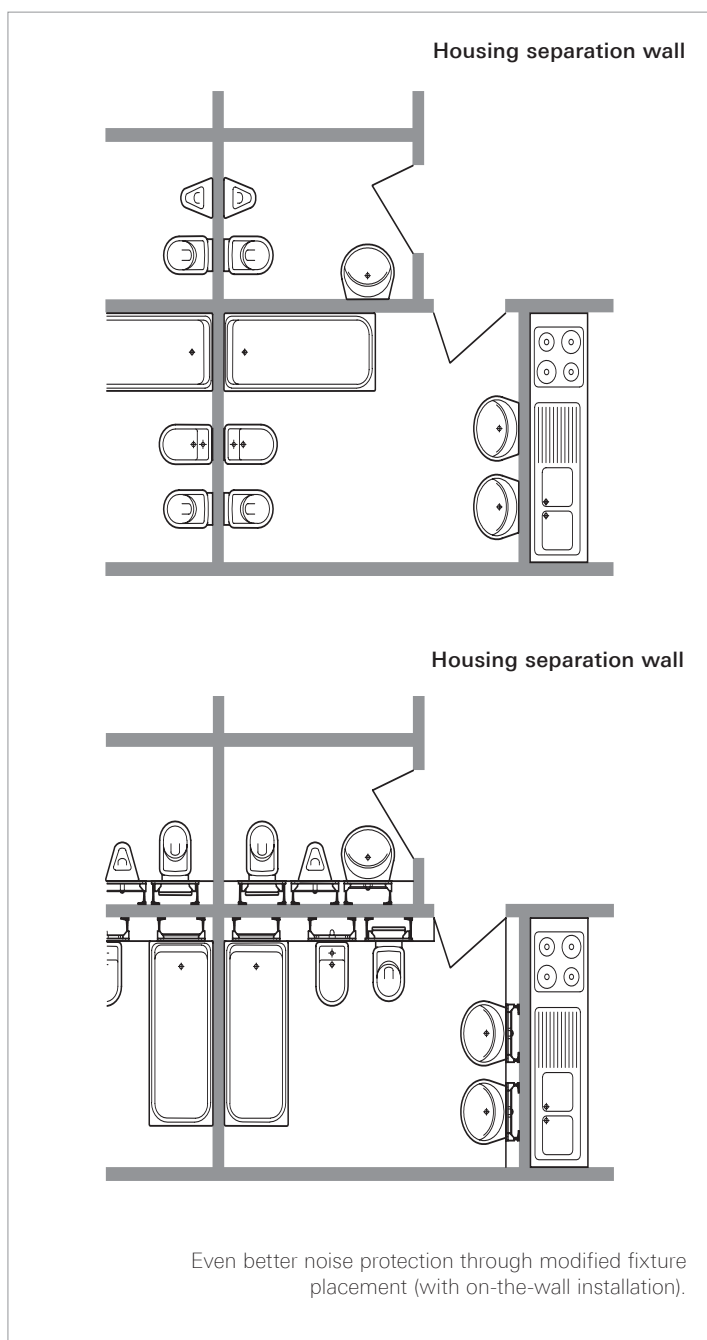
1. Favorable acoustics into your floor plans
2. Take care to ensure that the installation walls leading to the living rooms, bedrooms and workrooms in other apartments exhibit a minimum weight of 220 kg/m².
3. Lay pipelines in a manner compatible with noise protection measures.
4. Install only those products which have noise protection certification (e.g. Fraunhofer Institut für Bauphysik) on or in walls with surface weights less than 220 kg/m².
5. Take advantage of the possibilities of noise protection for on-the-wall installation.

The inlet and outlet pipes are laid without any contact between element and masonry with on-the-wall installation with Rapid SL.

The advantage: there is no structure-borne sound. Elaborate pipe insulation efforts are thus not necessary. In cases of on-the-wall installation in wet conditions, Uniset offers optimum noise protection by wrapping sources of structural sound with an insulation made of EPS. The pipelines must be completely clad in material for deadening structural sound.

Pipe-in-pipe system for WC flush valves

Double connector boxes are used for connecting exposed installation fittings. Double fitting connections are available with concealed fittings. The feeding line is in the dimensions 16 x 2.2 mm or 20 x 2.8 mm.

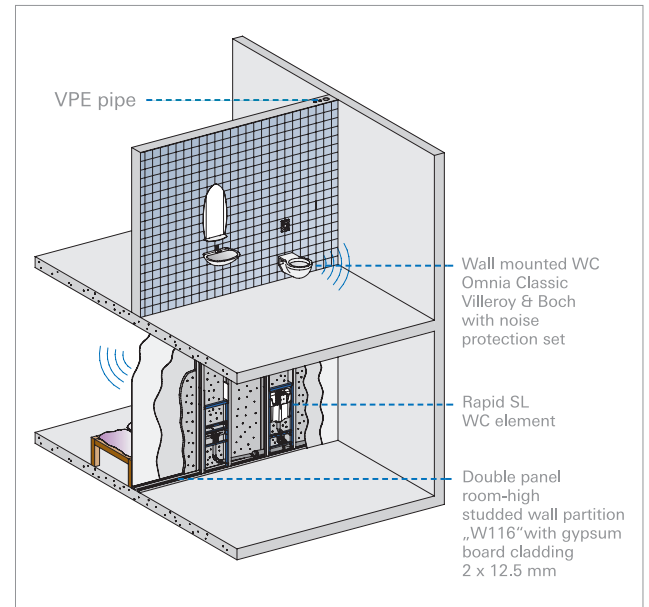


GROHE PLANNING INSTALLATION SYSTEMS – STANDARDS AND CERTIFICATION FOR NOISE CONTROL

The Fraunhofer Institute for Building Physics carried out noise measurements with Rapid SL and Uniset under real-life conditions. The excellent measurement results of all products meet the requirements of DIN 4109/A1, VDI 4100 or DIN 4109, Supplement 2.

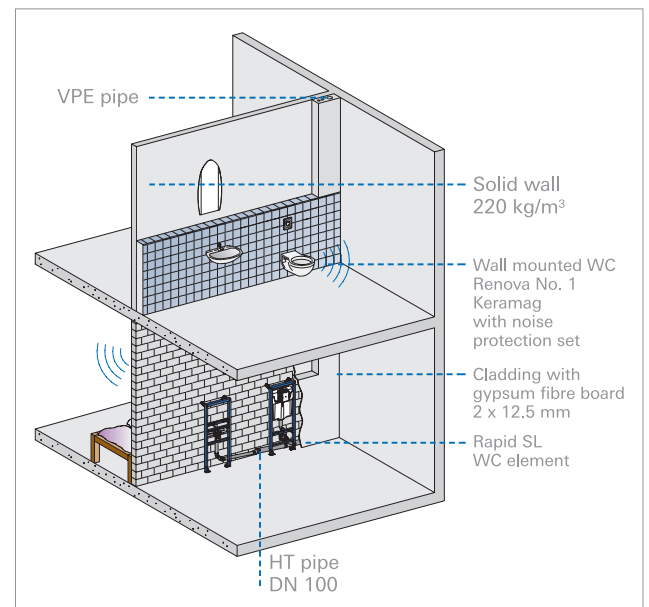
Testing construction for Rapid SL in lightweight studded wall partitions				
Test results obtained by the Fraunhofer Institut für Bauphysik				
Rapid SL	Test result	Requirements		
with flushing cistern, 6–9 l	Installation noise level in other living areas	DIN 4109	DIN 4109-10	
Dual flush	L_{in} in dB(A)	Stage I	Stage II	Stage III
	14 dB(A)	<30	<27 ¹⁾	<24 ²⁾

1) 27 dB(A) = increased noise protection
2) 24 dB(A) = comfort noise protection



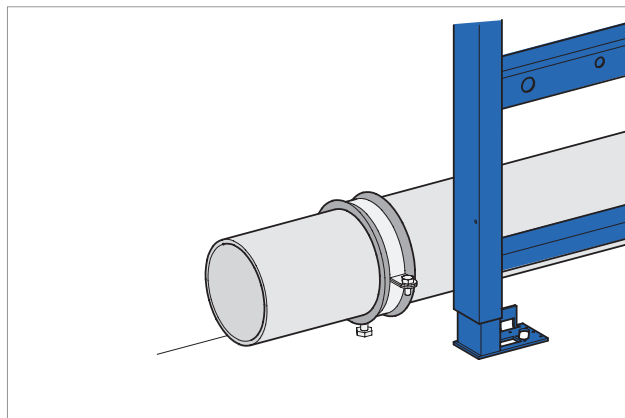
Testing construction for Rapid SL on-the-wall installation				
Test results obtained by the Fraunhofer Institut für Bauphysik				
Rapid SL	Test result	Requirements		
with flushing cistern, 6–9 l	Installation noise level in other living areas	DIN 4109	DIN 4109-10	
Dual flush	L_{in} in dB(A)	Stage I	Stage II	Stage III
	21 dB(A)	<30	<27 ¹⁾	<24 ²⁾

1) 27 dB(A) = increased noise protection
2) 24 dB(A) = comfort noise protection



On-site measures for noise reduction

- Design floor plans that are favourable in terms of construction acoustics.
- Lay inlet and outlet pipes in the element area without contact with the structure. This makes complex pipe insulation measures unnecessary.
- Use sets for noise control with WCs and bidets.
- The panelling has a sound-absorbing effect in the user area.



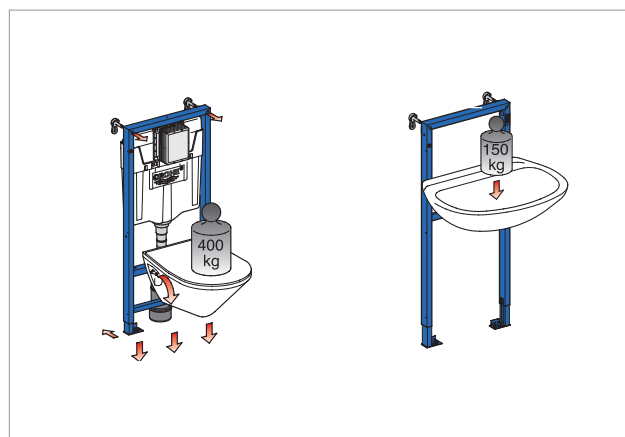
Safety thanks to independent testing

Rapid SL is certified by an independent testing institute. You can therefore rely on its

- safe installation
- practical operating instructions
- maximum dimensional stability with closed element profiles
- high load capacity

The Rapid SL WC element can bear loads of up to 400 kg even when adjusted by 200 mm in height.

Please note: the wash basin element can bear loads of up to 150 kg.

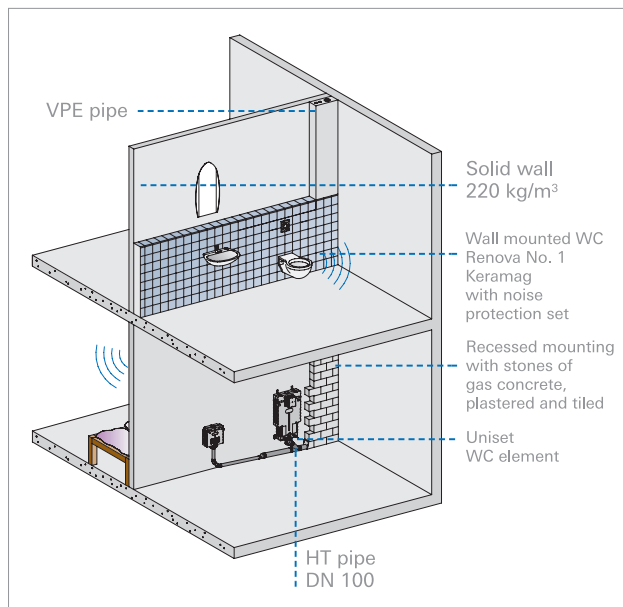


Testing construction for Uniset wall installation

Test results obtained by the Fraunhofer Institut für Bauphysik

Uniset for WC	Test result	Requirements		
with flushing cistern, 6–9 l	Installation noise level in other living areas	DIN 4109	DIN 4109-10	
Dual flush	L_{in} in dB(A)	Stage I	Stage II	Stage III
	16 dB(A)	<30	<27 ¹⁾	<24 ²⁾

1) 27 dB(A) = increased noise protection
2) 24 dB(A) = comfort noise protection

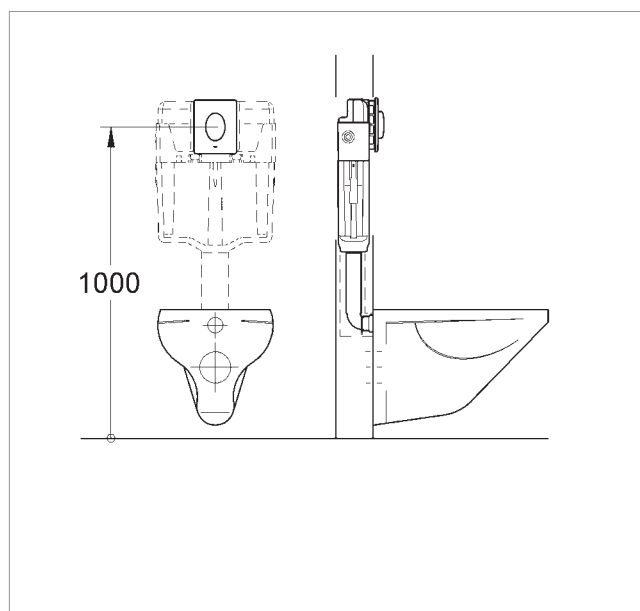


GROHE PLANNING INSTALLATION SYSTEMS BARRIER-FREE LIVING

Barrier-free living according to DIN 18025 part 1+2 and DIN 18024 part 2. Bathrooms designed to meet the needs of senior citizens and disabled people are becoming increasingly important as people live longer. In addition to space, such bathrooms need products meeting the specific requirements. For example, WC flushing systems which are very easy to install and operate thanks to protruding or large buttons. The use of modern pneumatics provides for highly convenient functionality.



Certified actuation for less able people: Skate Air Single Flush is certified by the german GGT- seal "good". The push button which protrudes 20 mm is particularly useful for people with limited freedom of movement.



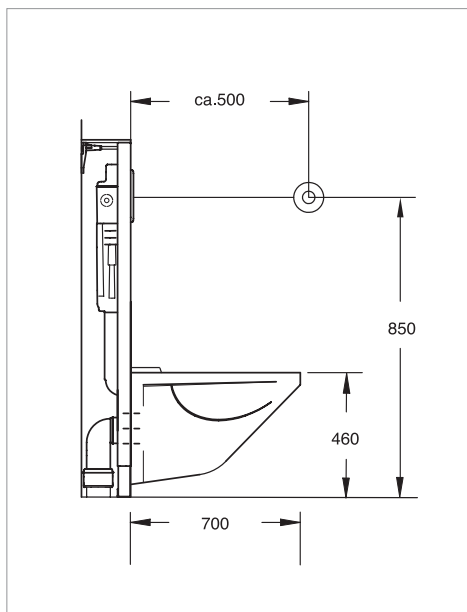
Height for disabled WC 460 mm

GROHE PLANNING INSTALLATION SYSTEMS BARRIER-FREE LIVING

The planning, execution and equipment of rental and state-owned homes and similar housing blocks suitable for wheelchair users is covered by Part 1 of DIN 18025.

Part 2 of DIN 18025 covers the planning, execution and equipment of accessible dwellings

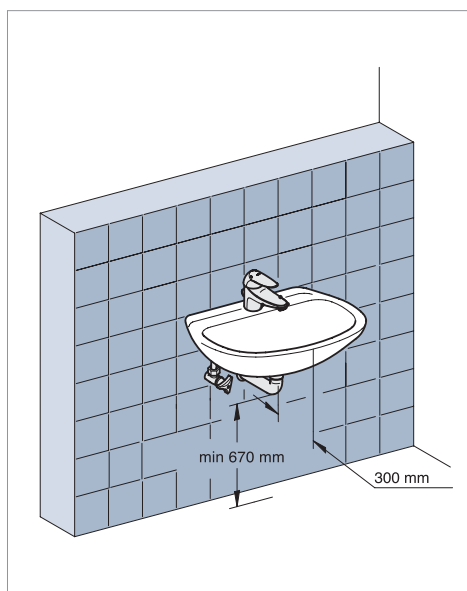
DIN 18024-2 covers the planning, execution and equipment of publicly accessible buildings and workplaces



DIN norms 18024 and 18025 are planned to be integrated into one DIN 18030. A draft of DIN 18030 is already available, but it has not come into force yet.

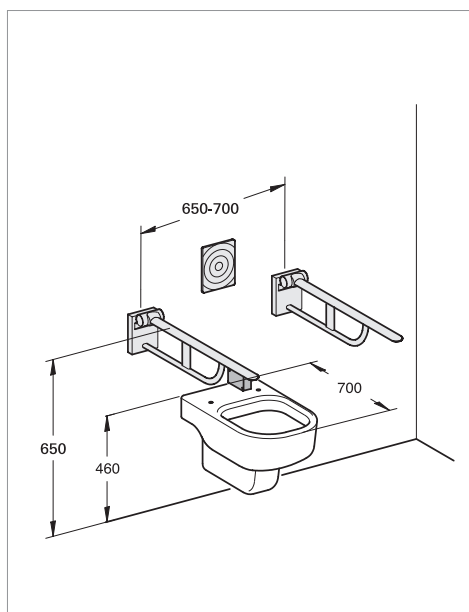
WC area:

The new standard DIN 18030 specifies an installed height of 480 mm incl. WC seat. A reach of 700 mm is required so that disabled people can transfer without difficulty from a wheelchair to the WC. Support rails must be installed at a distance of 650 mm on both sides if necessary. The support rails must be designed as folding supporting rails on the transfer sides. DIN 18024, part 2 recommends a distance of 700 mm between the support rails. The Rapid SL WC element 38 675 001 is designed for an installed WC height of 460 mm and for WC bowls with a reach of 700 mm.



Wash basin area:

Wash basins for use by disabled people should be high enough to allow a wheelchair underneath. This means that a legroom 30 cm deep and at least 670 mm high is necessary. These requirements are ideally met by the wash basin element No. 38 625 001 with concealed siphon. The element additionally includes a replaceable holder permitting use of either a wall mixer or a pillar mixer. According to DIN 18024, part 2 and DIN 18030 (draft), the top edge of the wash basin may be installed to a maximum height of 800 mm.



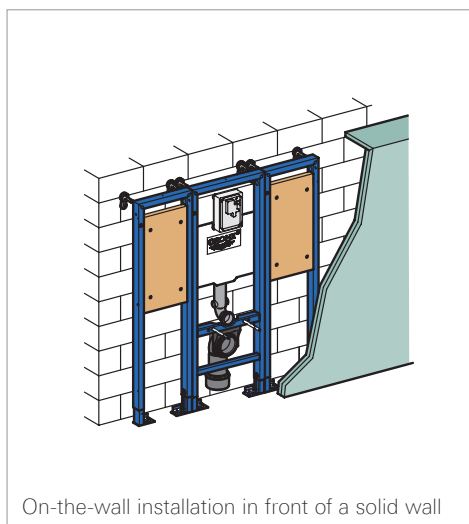
WC actuations:

The actuation (e.g. WC flushing cistern/valve) must be located in such a way that it can be reached by a person in a wheelchair. The actuation must be installed at a height of 85 cm. The distance to the side wall or to any installations must be at least 50 cm. It must be possible to operate the flushing system from both sides by arm or hand without the user having to change the seating position (DIN 18025, part 2, DIN 18030 (draft)). All operating devices must enable safe and easy access.

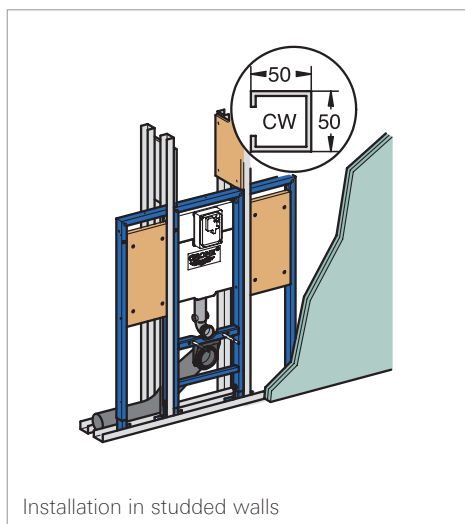
Recommendation: flushing cistern for WC with

- pneumatic manual remote control
- electric push button actuation
- infra-red electronic, radio-electronic

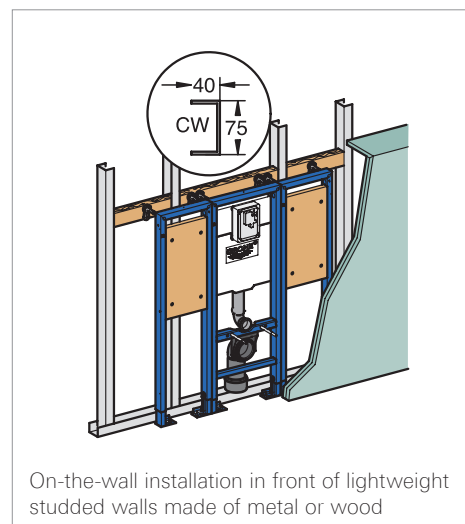
Rapid SL for barrier-free living – perfectly installed for all kinds of installation



On-the-wall installation in front of a solid wall

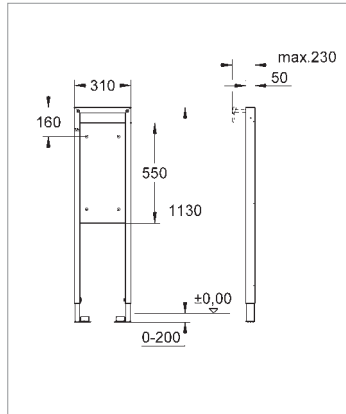


Installation in studded walls



On-the-wall installation in front of lightweight studded walls made of metal or wood

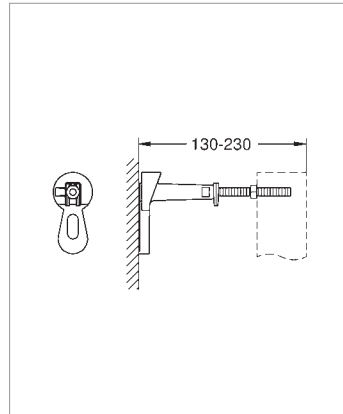
GROHE PLANNING INSTALLATION SYSTEMS BARRIER-FREE LIVING



38 559 001

Rapid SL hold element

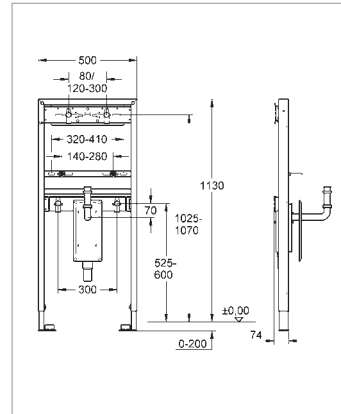
for support and holding grips in
lightweight studded wall partitions
or on-the-wall installations



38 558 00M

Rapid SL wall brackets

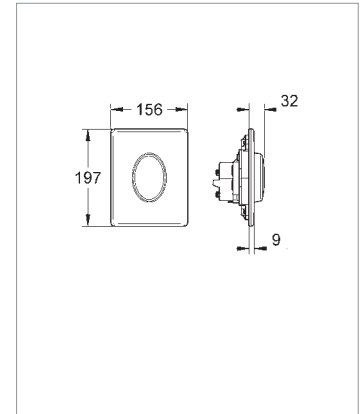
for on-the-wall installation,
2 pieces



38 625 001

Rapid SL for wash basin

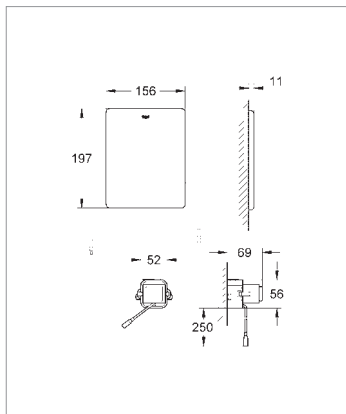
for single hole installation
or wall mounted fittings,
1.13 m installation height,
with concealed syphonsyphon



38 564 000

Skate Air wall plate

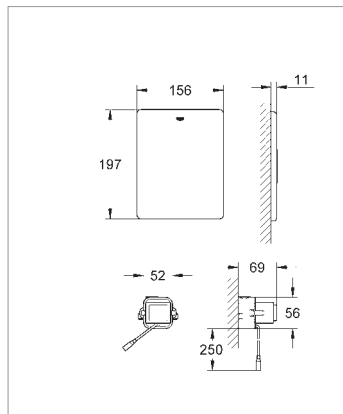
for single flush, vertical
installation, 156 x 197 mm,
for pneumatic discharge valve,
made of ABS



38 759 SD0

Radio electronic for WC

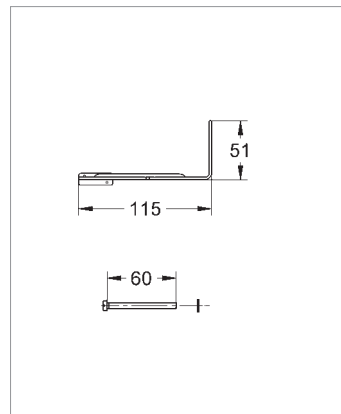
for flushing cistern,
concealed installation,
wall plate 156 x 197 mm,
chrome, for support rails of
HEWI, Keuco, Normbau



38 934 SD0

WC control

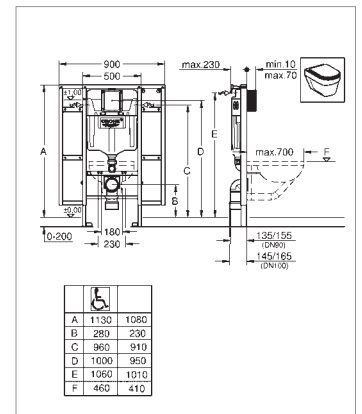
for manual remote actuation for
concealed flushing cisterns, 6 - 9 l
for connecting one or more
potential-free actuation buttons



43 617 000

Motor support

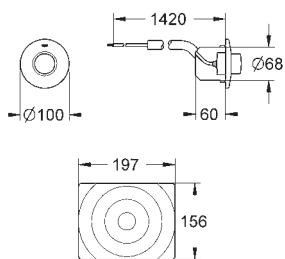
for Rapid SL 38 675 001, for
installation of infra-red electronic



39 140 000

Rapid SL for WC

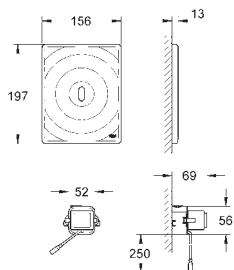
flushing cistern GD 2
with small maintenance access
1.13 m installation height
with fixing element for back
support and bars
for the disabled
for WC bowls 70 cm projection
for on-the-wall installations or
studded walls, for dry-cladding,
completely pre-assembled, with
fixed connections



37 059 000

Pneumatic actuation

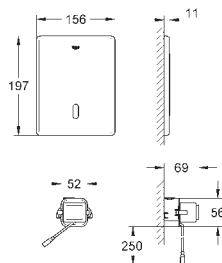
manual remote control, push button actuation with escutcheon
 Ø 100 mm, wall plate 156 x 197 mm, pneumatic hose 1.50 m



38 699 001

Tectron Surf

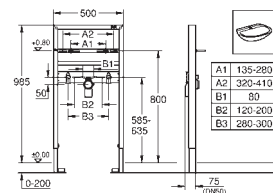
for flushing cistern GD2, concealed installation, infra-red control, 210-230 V AC, servo motor
 wall plate chrome



38 698 SD1

Tectron Skate

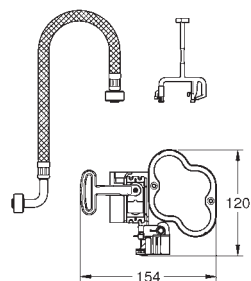
for flushing cistern GD2, concealed installation, infra-red control, 210-230 V AC, servo motor
 wall plate stainless steel



38 541 000

Rapid SL for wash basin

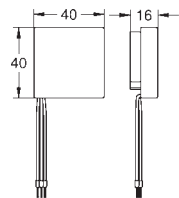
1.00 m installation height



39 141 000

Radio electronic

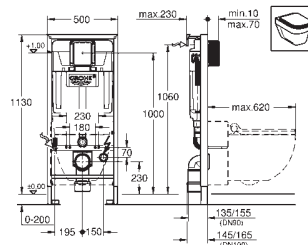
for WC with flushing cistern GD2 receiver modul 868,4 MHz
 for wall sender 39 142 000 or radio transmitter 38 758 000
 CE-approved, servo motor integrated battery box for 4 x 1.5 V Mono D (LR20)
 adjustable flush volume
 72 h flushing can be activated



39 142 000

Radio transmitter

for WC receiver module 39 141 000, 38 759 SD0, 38 934 SD0, frequency 868.4 MHz
 with option for Dual Flush
 CE-approved



39 112 000

Rapid SL for shower WC

flushing cistern GD 2
 with small maintenance access
 1.13 m installation height, for on-the-wall installations or studded walls, flushing cistern GD 2, 6 - 9 l
 adjustment ex factory 6 l and 3 l
 pipe for GROHE Sensia® water inlet, positioning help for electrical connection, 2 wall brackets with fixing material

GROHE PLANNING WC SYSTEMS DIMENSIONS FOR RELIABLE PLANNING

GROHE WC faucets are designed in such a way that they form a harmonious unit with the WC bowl. Nevertheless, it is only when they are in accord with optimally planned room sizes and correspondingly dimensioned room for movement that these advantages really make themselves felt. An unending variety of room sizes, as well as regulations and DIN provisions, must be taken into account.

Modern WC systems should be designed with the following features:

1. Sufficient shelving space
2. Wall-installed faucet ready to flush at all times, ideally with vandal-proof actuation
3. Stable WC seat with robust holding device
4. Wall-installed toilet roll holder with integrated reserve roll feed
5. Waste container
Additionally a large waste container in the front area (not shown)
6. WC brush
7. Clothes hook
8. Bibcock (faucet combination) to DIN 1988 (not shown)
9. Floor drain (not shown)
10. User-friendly design, bright, good ventilation



Room for movement in accordance with DIN 18022

1. Average fixture dimensions	2. Room for movement for using the fixtures	3. Minimum fixture clearances		B. Shower bath tub	C. Side wall	D. Side wall			
		A. Axis clearances							
40	80	70	65	60	60	65	40	40	45 45

GROHE PLANNING URINAL SYSTEMS STANDARD RECOMMENDED VALUES

Planning and installation are precision work. To make both of these tasks easier, here you will find specifications concerning required spatial depths, object distances, room for movement etc.

An attractive urinal design should include the following:

1. Sufficient shelving space
2. Siphon urinal bowl with concealed inlet and outlet
3. Automatic flushing unit
4. Separations between the urinal bowls
5. Waste container
6. Bibcock (faucet combination) to DIN 1988
7. Floor drain
8. Friendly overall design, bright lighting, good ventilation

* Height dimension dependent on the faucet used.

** Recommendation 700 mm, default 650 mm, for boys 500 mm.

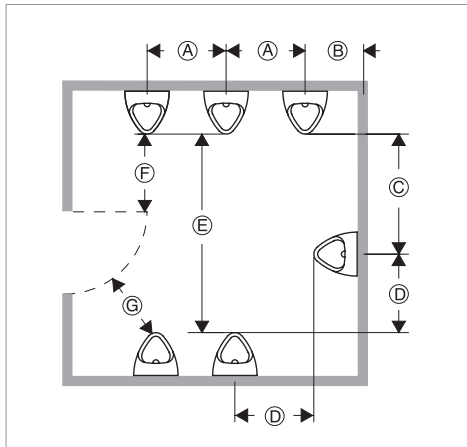


Room for movement in accordance with DIN 18022

1. Average fixture dimensions	2. Room for movement for using the fixtures	3. Minimum fixture clearances								
		A. Axis clearances		B. Shower bath tub	C. Side wall	D. Side wall				
40	80	70	65	60	60	65	40	40	45	45

GROHE PLANNING URINAL SYSTEMS

Whether you select our hand actuated urinal fittings or our automatic ones: with GROHE you will make a terrific impression. Nevertheless, in public urinal installations with a great deal of public traffic, you should as a fundamental principle install "self-triggering" flushing devices. This is also required by DIN 1986 for reasons of hygiene.



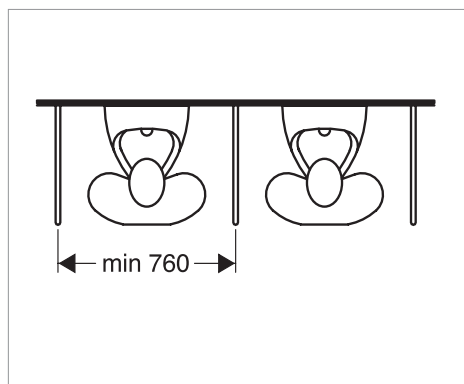
Minimum clearances with urinals / public sector		
	Radar electronic	Infra-red electronic
A	600 mm	600 mm
B	400 mm	400 mm
C	900 mm	900 mm
D	900 mm	900 mm
E	1.400 mm	1.400 mm
F	500 mm	350 mm
G	350 mm	350 mm

Automatic flushing systems such as Tectron or radar electronics ensure regular touchless and automatic flushing after each use. To prevent accidental flushing, the area for movement of other objects (e.g. WC, wash basin) must not overlap the area for movement of the urinal specified above.

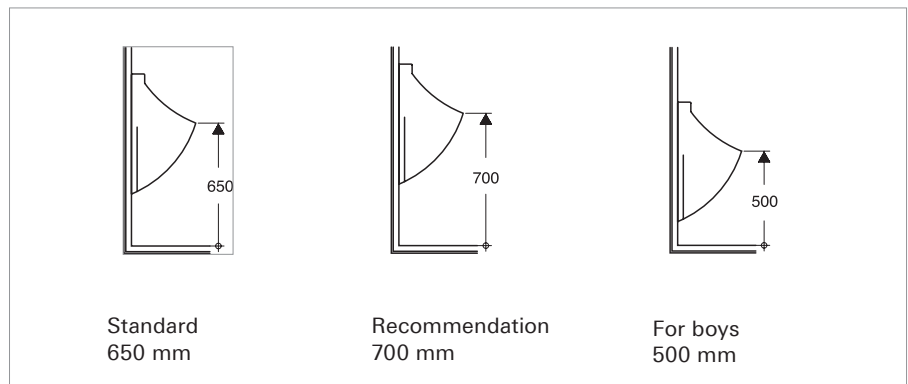
Suction urinals with concealed inlet and outlet are highly recommended. Suction urinals reduce the development of odours and are easy to clean.

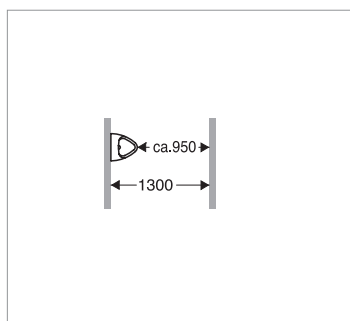
In men's public conveniences – particularly those with a great deal of public traffic, such as those found in sports and leisure facilities, urinal systems should be planned to reduce water consumption. Urinals are generally much more economical, even compared with WC flush mechanisms with a relatively low flow volume of 6 l. Many urinal systems manage with a flow volume of 2 l, and others with just 1 l. Another advantage of urinals compared with WCs is that the length of each use is shorter. This means that more people can use the toilet facilities during event intermissions.

Minimum separation clearances



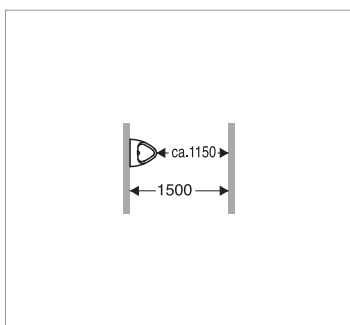
This is how you install urinal hygiene made to measure



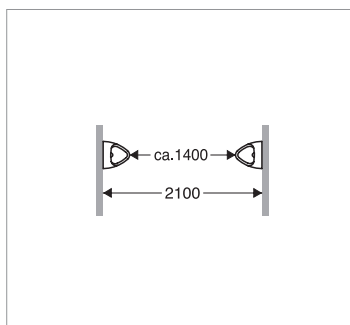


**Spatial depths:
Urinals on a wall**

Minimum clearance between:
Urinal/wall approx. 950 mm
the walls approx. 1.300 mm

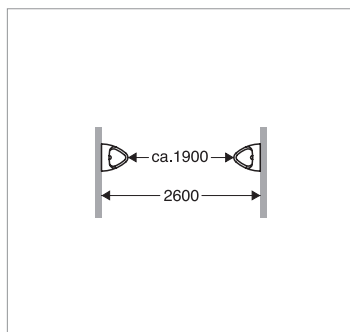


Normal clearance between:
Urinal/ wall approx. 1.150 mm
the walls approx. 1.500 mm

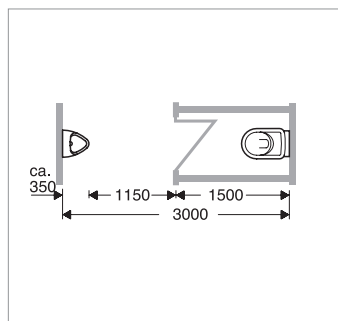


**Spatial depths:
Urinals on opposite sides**

Minimum clearance between:
Urinal/wall approx. 1.400 mm
the walls approx. 2.100 mm

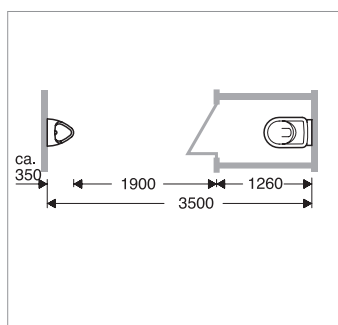


Normal clearance between:
the urinals approx. 1.900 mm
the walls approx. 2.600 mm

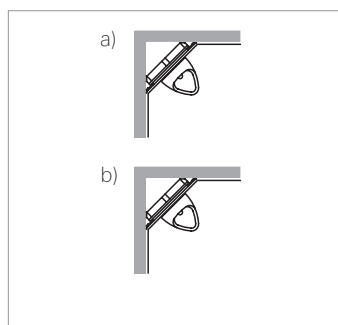


**Urinals in connection with
WC stalls/With WC stalls
with door openings.**

Inward clearance between:
Urinal/WC stall approx. 1.150 mm
the walls approx. 3.000 mm



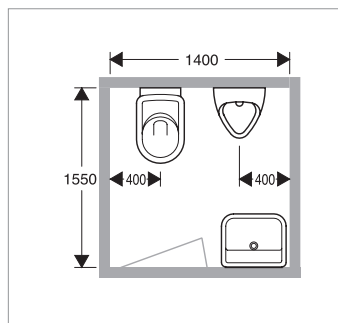
Outward clearance between:
Urinal/wall approx. 1.900 mm
the walls approx. 3.500 mm



Urinals in the corner.

Recommended corner solutions
with urinal bowls:

- a) with Rapid SL and the installation set
for corners of rooms 38 562 001 or
- b) with Uniset and a masonry-infill in
the corner

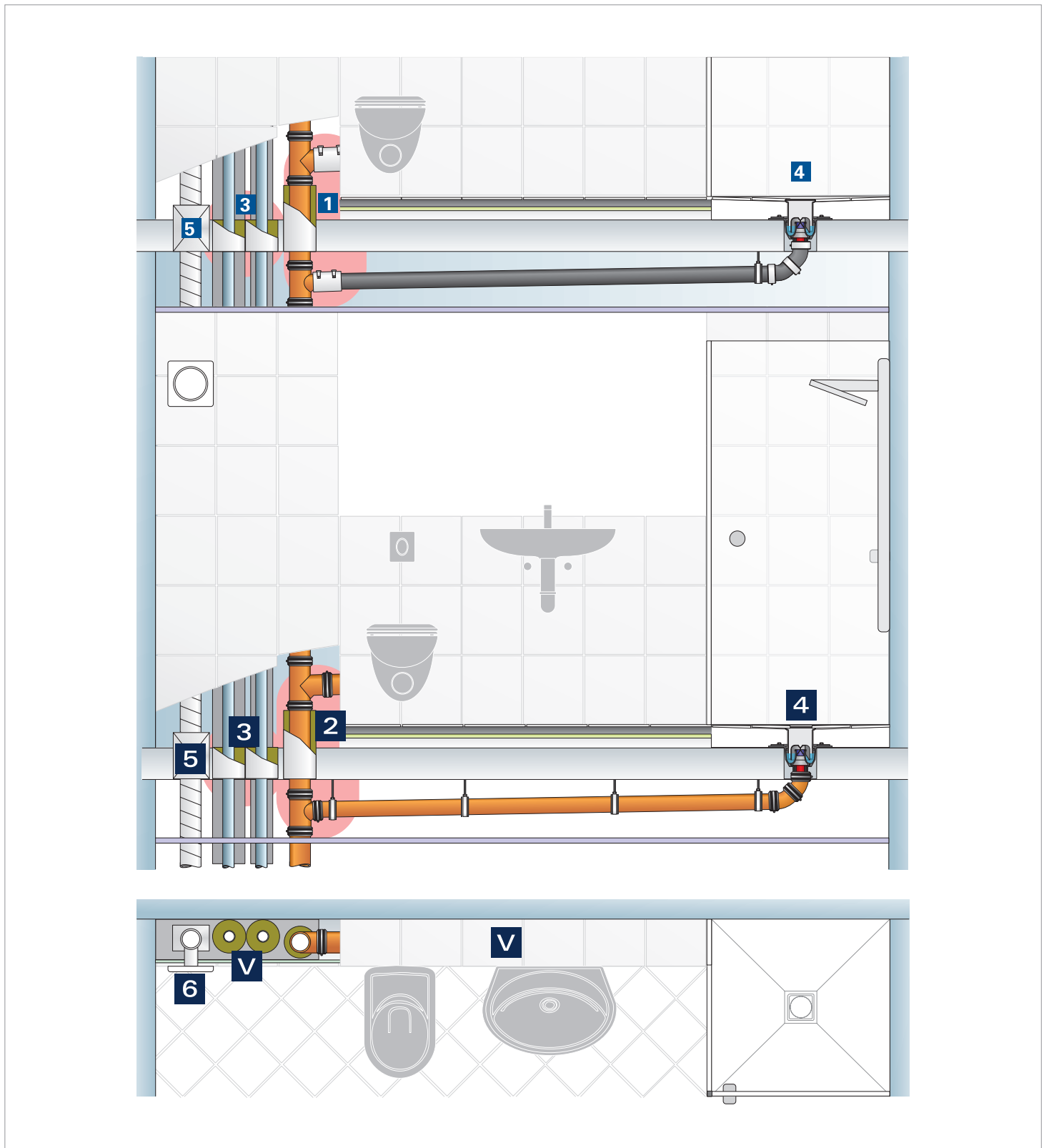


Urinals in the private sector.

Small urinals with lids offer more
hygiene in the home and help conserve
water. The private urinal has a place
even in small rooms and should as a
rule be lined up next to the WC.

GROHE PLANNING PREVENTIVE FIRE SAFETY WITH GROHE STUDDED- WALL INSTALLATION SYSTEMS

Preventive fire safety with GROHE studded- wall installation systems must be planned and implemented on the basis of the applicable building regulations for pipe systems. For planning and implementation in accordance with MLAR/LAR (MLAR = Model Conduit Systems Directive), Section 4.1, all relevant sealing systems can be used with proof of usability (abP/abZ) or on the basis of the "alleviations" of MLAR/LAR, Section 4.3.



USE APPROVED, COMMERCIALY AVAILABLE PRODUCTS FOR THE IMPLEMENTATION OF PREVENTIVE FIRE SAFETY.

1

1. R 90 – (EI 90 u/u) pipe screening for sealing a mixed installation SML (SML = cast- iron pipe) with flammable connection cables made from plastic (B1/B2)

Alternatively:

2

R 90 – (EI 90 c/u) pipe screening for sealing non-flammable pipe systems including non-flammable connection cables

Or:

R 90 – (EI 90 u/u) pipe screening for sealing flammable pipe systems using fire protection sleeves and flammable connection cables made from plastic (B1/B2)

3

R 90 – (EI 90 c/u) pipe screening for sealing non-flammable drinking water and heating pipe systems including insulation of the pipes

Alternatively:

R 90 – (EI 90 u/u) pipe screening for sealing multi-layer composite pipes (B2) for drinking water and heating pipe systems including insulation of the pipes

4

R 90 – (EI 90 u/u) floor drain with general technical approval for the connection of non-flammable and flammable pipe systems

5

K 90 – 18017 shut-off device for the ventilation of interior bathrooms with general technical approval

6

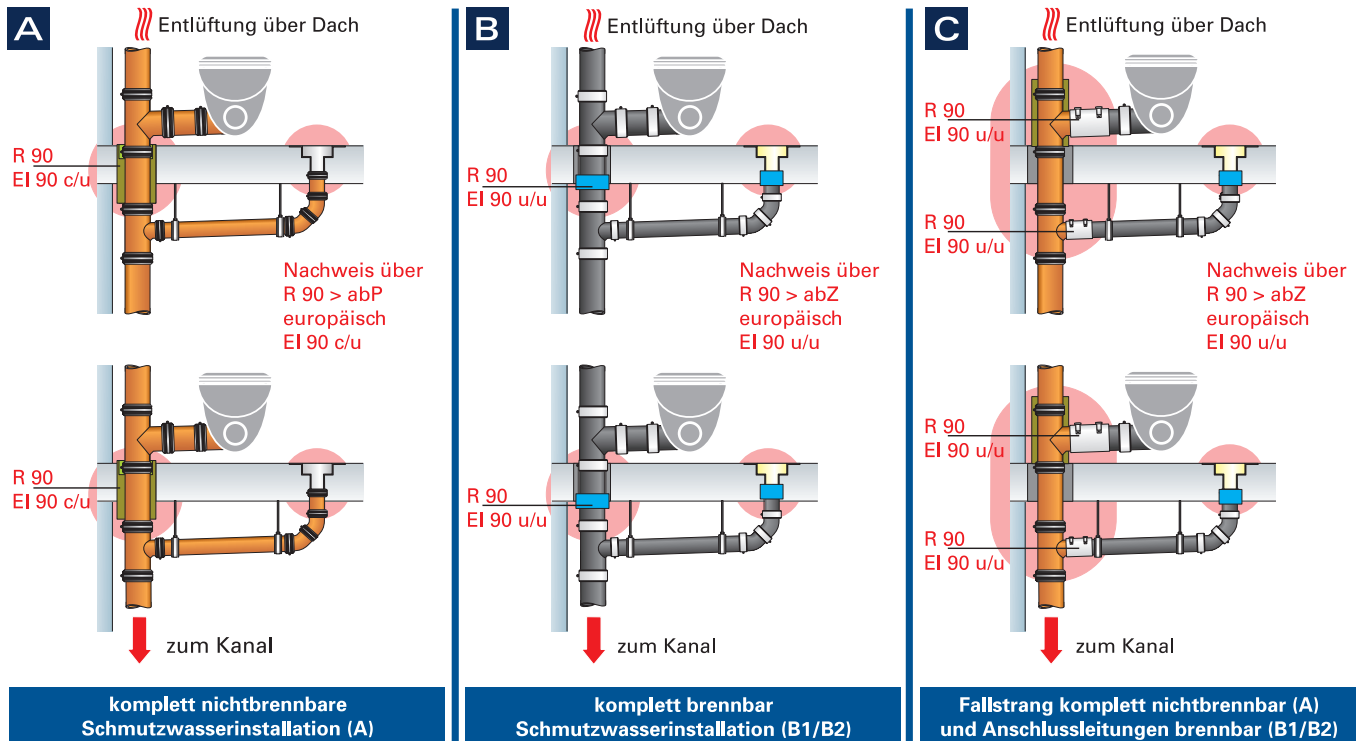
Ventilating valve or vent poppet valve in combination with central exhaust air fan

V

When using the described penetration sealing principle, non-classified studded- wall installation / panelling is sufficient from a fire- safety perspective.

GROHE PLANNING PREVENTIVE FIRE SAFETY WITH GROHE STUDDED- WALL INSTALLATION SYSTEMS

Sealing principles for waste- water installations



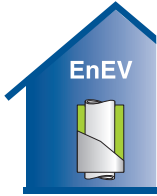
Use approved, commercially available products for the implementation of preventive fire safety.

- A** Waste- water installation with universal non-flammable pipe systems (Construction Materials Class A)
 - > Sealing according to proof of usability with a general appraisal certificate (abP)
 - > Pipe routing according to the "alleviations" of MLAR, Section 4.3
- B** Waste- water installation with universal flammable pipe systems (Construction Materials Class B1/B2)
 - > Sealing according to proof of usability with general technical approval (abZ)
- C** Waste- water installation as a mixed installation with non-flammable and flammable pipe systems with general technical approval (abZ required from 01.01.2013)

Note:

The requirements of providers for pipe and sealing systems, including proof of usability / alleviations of MLAR/LAR, Section 4.1 and 4.3, must be observed in fire- safety planning.

The following insulation regulations / requirements must be observed in connection with studded-wall installations:



EnEV:

The current version of the German Energy Saving Regulation (EnEV) (currently EnEV 2009, Appendix 5, Table 1)

- 100% insulation thickness, WLG 035 (WLG = thermal conductivity class), for all hot- water pipes (drinking water and heating)
- > 50% insulation thickness, WLG 035, for fittings and ceiling ducts / seals (drinking water and heating)



DIN 1988-200:

Sealing for drinking water, cold (DIN 1988 – 200: 2012-05)

- Pipes laid in pipe ducts with an ambient temperature $\leq 250\text{C}$, WLG 040, insulation thickness ≥ 13 mm
- Pipes laid in pipe ducts with an ambient temperature $\geq 250\text{C}$, WLG 040, e.g. through heating along with hot- water pipes, insulation thickness in accordance with EnEV, Appendix 5, Table 1, Rows 1-5
- Multi-storey feeds and individual feeds in studded- wall installations, WLG 040, insulation thickness ≥ 4 mm or pipe-in-pipe system



VDI 2055:

Thermal insulation of heated and refrigerated installations
(VDI 2055 - Part 2055 – Part: 2011-04 and 2012-04)

- Rating of pipe insulation in industry and building services, e.g. for:
- Cooling pipes
- Internal pipelines for rainwater drainage



Noise control:

Structure-borne and airborne noise control with installation systems

The following requirements must be met:

- DIN 4109/A1 Sound insulation in accordance with minimum legal requirements (≤ 30 dB (A)). Note: nNot sufficient for increased sound- insulation requirements in the construction of luxury apartments.
- Supplement 2 to DIN 4109: 1989-1
Recommendations for increased sound insulation in personal living and working areas
- VDI H100: 2012-10 – Sound insulation in building construction
Proposals for increased sound insulation





GROHE SENSIA[®] IGS SHOWER TOILET

FOR THAT ULTIMATE FRESH FEELING

GROHE's new Sensia[®] IGS shower toilets promise a pleasant feeling of cleanliness and optimal comfort with every use. This technological innovation offers the user a comprehensive wellness programme that encompasses personal hygiene, odour extraction and gentle blow-drying.

GROHE Sensia[®] IGS shower toilets are the latest expansion of GROHE's expertise in installation technology, high quality design and outstanding functionality. Together with the tried-and-tested GROHE plumbing systems and the installation components, they form sophisticated, comprehensive solutions that are perfectly co-ordinated both technically and in terms of their design.

GROHE SENSIA® IGS THE NEW GENERATION OF SHOWER TOILETS



Maximum Comfort: As a completely integrated system, the GROHE Sensia® IGS shower toilet sets new standards in terms of the combination of optimum hygiene and maximum comfort. The user can individually determine the temperature, strength and direction of the water jet, as well as additional comfort functions, via the easy-to-use remote control, or save settings in a user profile. Alternatively, the practical multi-function button allows the shower toilet to be operated directly from the toilet seat.

Automatic thermal disinfection and descaling optimise hygiene, minimise cleaning effort and, improve comfort and longevity. Elegant lines and exquisite materials characterise the high-quality and outstanding design of the GROHE Sensia® IGS shower toilet. The all-ceramic body is particularly easy to clean due to its dirt-repellent special glazing. The seat and lid are made from Duroplast and with the real metal controller it forms a perfect optical unit.

- A central controller with a rotation and pressure function
- Remote control using the touchscreen
- Individually adjustable user profiles
- Individually adjustable shower (temperature, strength and position of the cleansing jet, different settings, separate feminine cleansing function)
- Integrated warm-air dryer
- Integrated odour extraction
- Automatic shower cleaning, thermal disinfection mode and descaling, easy-to-remove toilet seat
- High-quality materials (all-ceramic toilet body with dirt-repellent special glazing, Duroplast toilet seat and lid, real metal controller)
- Environmentally aware and convenient due to selectable energy saver modes
- Outstanding design

GROHE
Digital®GROHE
DreamSpray®



Intuitive control: The well-designed remote control touchscreen allows up to four user profiles to be adjusted or stored, as required, to control the temperature, strength and position of the jet (each in 7 steps), different jet settings or the separate feminine cleansing function

Easy activation: The user controls all options, even without the remote control, using the centrally located multi-function button with rotation and pressure function. The real metal controller enhances the feeling of cleanliness on all Sensia® IGS surfaces.

Top hygiene: A rotating jet with warm water and the feminine cleansing function contribute to a perfect personal hygiene experience. The spray cleans itself automatically before and after each use. Regular thermal cleaning and automatic descaling are programmable.

TECHNISCHE DATEN

Voltage rating 220-240 V (AC)

Network frequency 50/60 Hz

Power consumption operation
(max.) 1 400 W

Power consumption stand-by
approx. 0.5 W (Boiler on ECO or OFF and LED display OFF)

Power consumption holiday programme
approx. 0.25 W

Type of protection I px4

Protection class I

Length of mains cable 1 m

Flow pressure area water 1 to 10 bars

Water connection 3/8 "

Load seat and lid (max.) 150 kg

Operating temperature range + 5 to + 40 °C

Number of pressure settings shower 7 steps

Number of temperature settings shower
7 steps

Shower duration range of adjustment
15 to 30 sec.

Flow volume optimised for 3 l and 6 l

Material Visible Parts polycarbonate

Material toilet seat and lid Duroplast

Toilet bowl

Sanitary ceramic with special coating

Standards

corresponds to EN 1717, EN 13077, CE

Equipment/delivery specification

Remote control, batteries, odour filter, descaler, test strip water hardness, waste sleeve, rinse fitting, fastening and connection materials, assembly instruction, quick guide, splash guard

GROHE SENSIA® IGS BENEFITS AT A GLANCE

A new generation's convenience

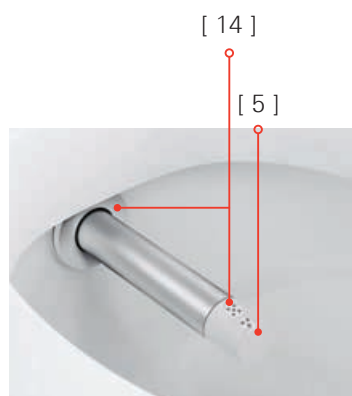
- [1] **Remote control with touchscreen** in a smartphone design with wall holder. Buttons for four storable user profiles, feminine cleansing function, power shower and additional pressure, adjustable in seven steps (temperature, strength and position of cleansing jet, blow-dryer temperature), start thermal cleansing, start descaling programme, holiday settings
- [2] **Real metal central controller** with a rotation and pressure function. Select user profile, start/stop shower, adjust jet intensity and blow-drying temperature, adjust jet position

Hygiene with comfort

- [3] Thirty-second warm-water cleanse; separate feminine cleansing function; massage cleanse; oscillating flow
- [4] Automatic odour extraction with filter
- [5] Integrated warm-air dryer in an ergonomically central position; nozzle with automatic rinse before and after each use
- [6] Programme for regular thermal disinfection of the system

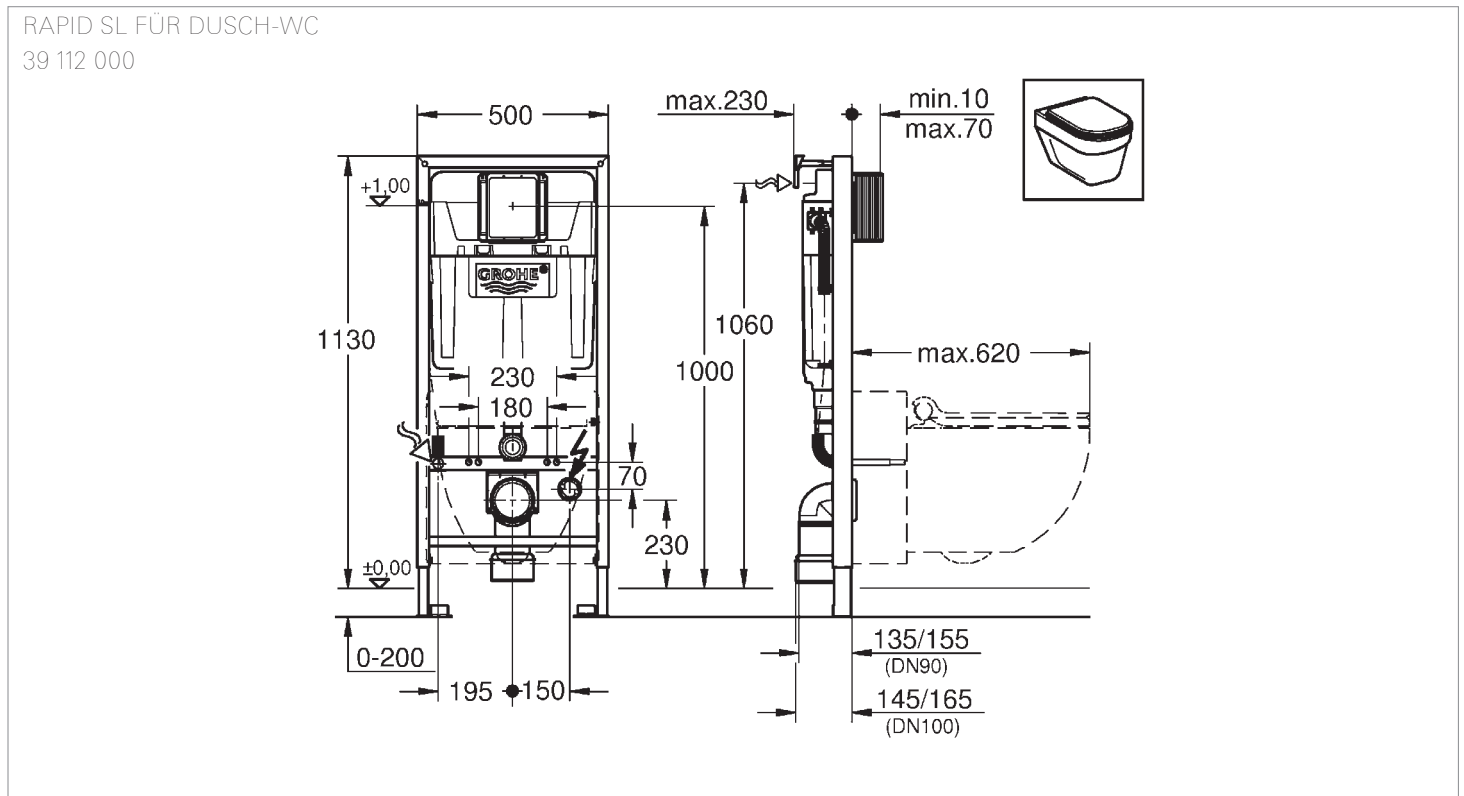
Design, maintenance and special functions

- [7] All-ceramic toilet body with dirt-repellent coating
- [8] Duroplast seat and lid
- [9] Automatic user recognition (child safety device)
- [10] LED display with subtle night-lighting
- [11] Seat and lid with automatic closing
- [12] Service flap for straightforward maintenance
- [13] Integrated descaling programme
- [14] Replacement nozzle and shield
- [15] Straightforward cleaning of seat and lid
- [16] Main switch with on/off function



GROHE SENSIA® IGS INSTALLATION OPTIONS

The Rapid SL wall installation element (item no. 39112000) allows safe, simple, rapid and comfortable installation of GROHE shower toilets. A joint pipe for the passage of the flexible hose is pre-assembled and connects the shower toilet with the service valve in the cistern. A hollow-wall back box for the installation of the flush-mounted socket behind the toilet, as per predetermined drilling dimensions, and a mounting for the electrical cable are already included for the electrical connection. Water and electrical connection are thus completely covered (installation option V1-V3). Upgrade solutions with completely or partially covered connections are also an option (V4-V5).

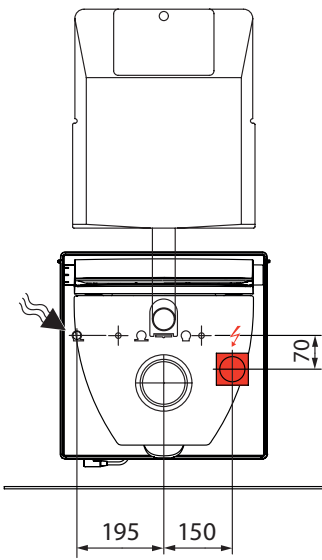


INSTALLATION

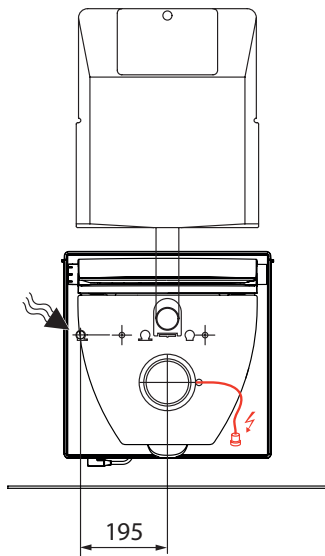
- For the flush-mounted water connection of the shower toilet a connecting pipe is required from the toilet component.
- We offer the Rapido SL toilet element 39 112 000 with covered water und electrical connection for the installation of the GROHE Sensia® IGS shower toilet.
- If a different manufacturer's toilet component is already in place, a partially covered installation of the water connection is an option. Precondition for this would be identical connection dimensions. These products are partially labelled with a corresponding sticker with connection dimensions on the protection plate below the actuation plate.
- If the water connection next to the shower toilet is visible (V5), the connection set 42 459 000 is required.



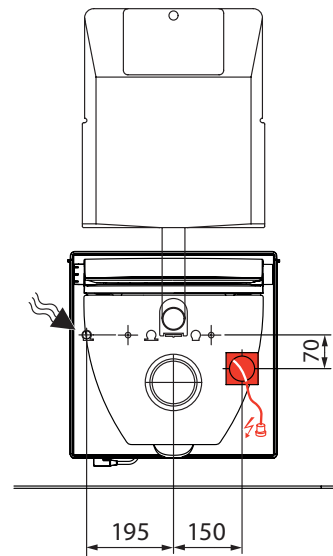
V1



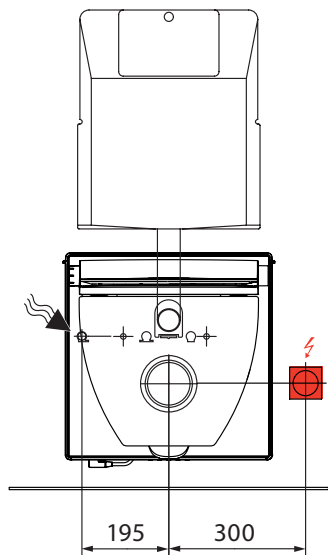
V2



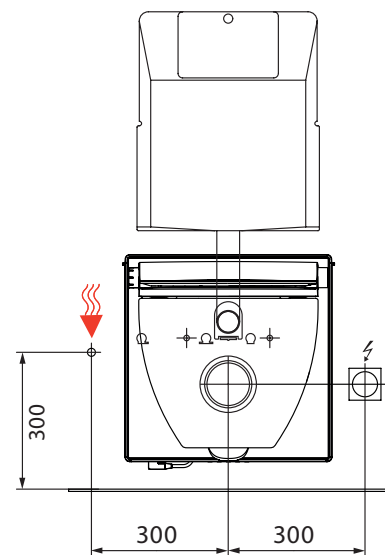
V3



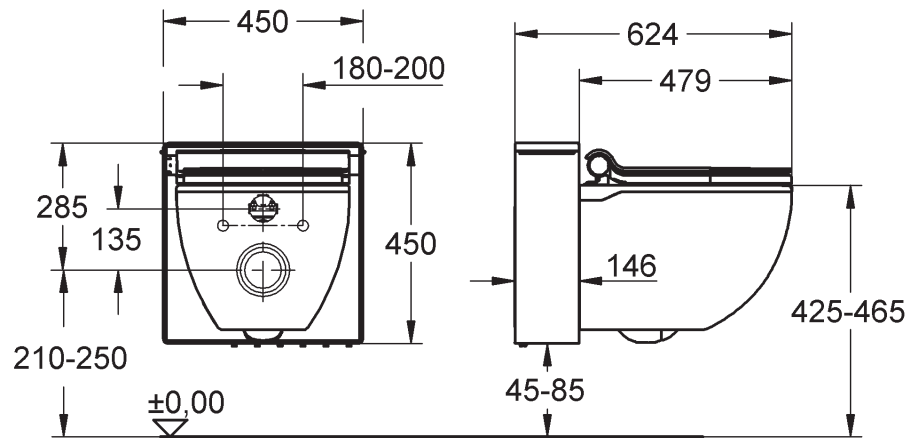
V4



V5

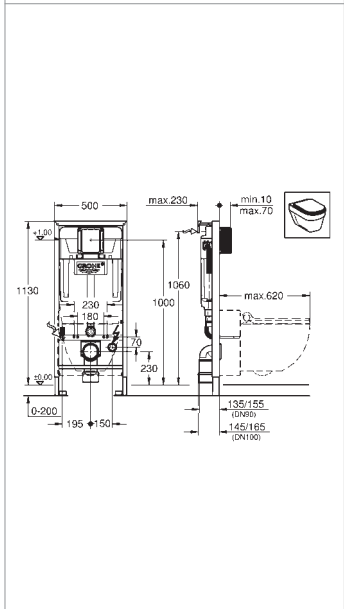


GROHE SENSIA® IGS COLOUR VARIATIONS / RAPID SL INSTALLATION ELEMENT FOR SHOWER TOILETS



39 111 SH0	39 111 LP0	39 111 LD0	39 111 LK0
GROHE Sensia® IGS	GROHE Sensia® IGS	GROHE Sensia® IGS	GROHE Sensia® IGS
Shower toilet	Shower toilet	Shower toilet	Shower toilet
Complete system for in-wall cisterns	Complete system for in-wall cisterns	Complete system for in-wall cisterns	Complete system for in-wall cisterns
Ceramic, housing, front, seat and lid in Alpine White	Ceramic, front, seat and lid in Alpine White, and housing in matt chrome	Ceramic, seat and lid in Alpine White, housing in matt chrome and front in red	Ceramic, seat and lid in Alpine White, housing in matt chrome and front in black





39 112 000
Rapid SL
for shower toilet
 with vacant tube water supply line
 for Sensia and positioning aid
 for electrical connection



46 884 000
GROHE Sensia® IGS
Care Set
 for GROHE Sensia® IGS
 Shower-toilet
 Contents: 1 odour filter
 Descaler for 2 uses



46 882 00M
GROHE Sensia® IGS
Descaler
 for GROHE Sensia® IGS
 Shower-toilet
 Descaler for 4 uses

46 883 00M
GROHE Sensia® IGS
Odour filter
 for GROHE Sensia® IGS
 Shower-toilet
 Contents: 2 odour filters



42 459 000
Connection set
 for GROHE Sensia® IGS
 Shower-toilet





GROHE CONCEALED TECHNOLOGY

FOR MORE COMFORT AND MORE SPACE

As space is a valuable commodity, planners and installers must use it carefully. Surface-mounted fittings, especially in shower enclosures, restrict the freedom of movement of the user.

With its Rapido range, GROHE has developed a back section whose shallow fitting depth and quality technology provide for reliable installation, with all the available space optimally used. In addition, Rapido offers a multitude of design variants. A wide selection of suitable trim sets and showers from GROHE ensures that the style chosen for the bathroom extends seamlessly into the shower area.

CONCEALED
TECHNOLOGY

GROHE RAPIDO

GROHE PROFESSIONAL
WORK SMARTER



Quickly installed: GROHE Rapido is the basic technology behind all concealed GROHE fittings. The practical design of Rapido enables it to be installed quickly and reliably, reducing installation time and potential faults on site.

- Ultra-flat fitting depth: only 70 mm
- Fast installation: complete mixer unit installed in the factory
- Tested safety: fitting and mixer 100% factory-tested
- More options: 3 outlets and high flow rate > 50 l/min
- Always complies with standards: protective devices according to EN 1717 can be retrofitted

RANGE

- Rapido E, Universal single-lever mixer
- Rapido T, Universal thermostat
- Rapido C, concealed valves



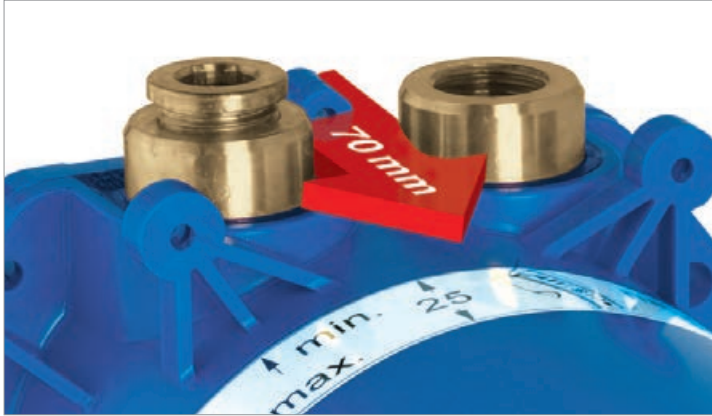
GROHE
TurboStat®



GROHE
EcoJoy®

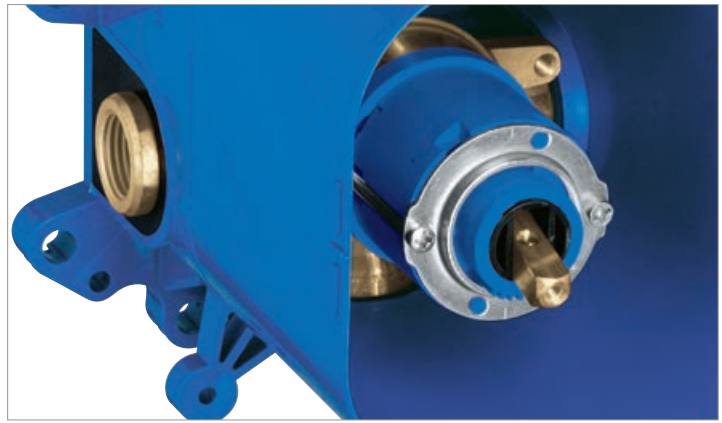


GROHE
SilkMove®

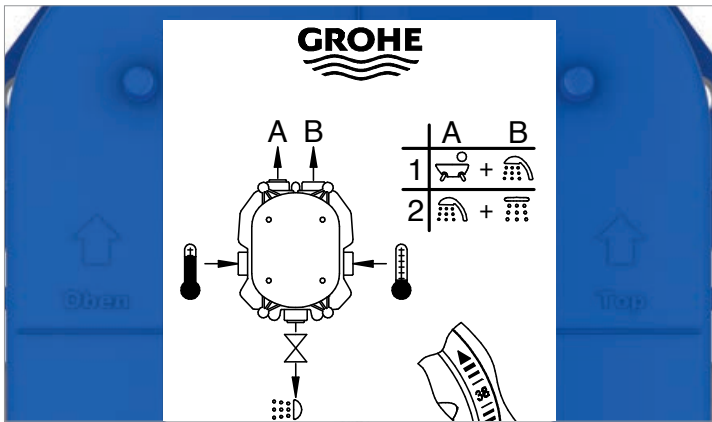


Ultra-flat design for universal installation. With a fitting depth of just 70 mm, GROHE Rapido fits into any wall, not something that can be said of all our competitors' products. Whether a new build or a refurbishment, wet conditions or with dry cladding, GROHE Rapido provides the perfect solution for every scenario.

Installed quickly and safely. Fitting box, mixer body and mixing cartridge form a compact unit. Assembly and 100% testing in the factory ensure a lifetime of trouble-free operation with no leaks.



CONCEALED
TECHNOLOGY



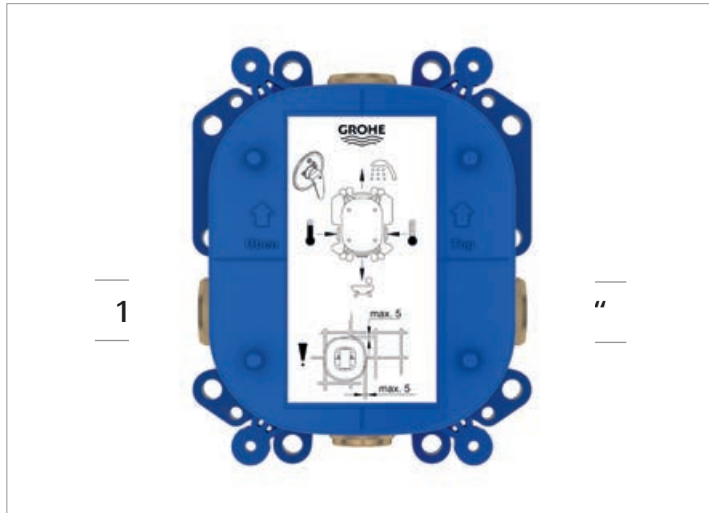
As the Rapido T thermostat has a third outlet, another standard feature, it has an even greater ability to deliver versatile showering solutions. The third outlet is controlled by connecting a concealed valve. Both top outlets can be controlled by the integrated AquaDimmer. Thanks to its excellent flow rate of over 50 litres per minute, Rapido T is also the perfect choice for a custom shower where you wish to install a head shower, hand shower and side showers.

If required, a protective device conforming to EN 1717 can be quickly retrofitted on site to replace the usual anti-vacuum device. It is also a simple matter to retrofit an integrated bath filler, combined waste and overflow set (Talentofill) for the thermostat and single lever mixer that complies with the protection standards.



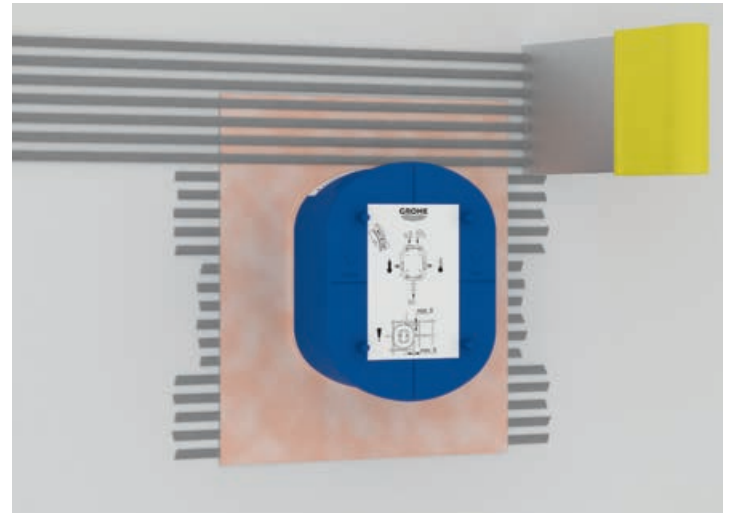
GROHE RAPIDO CONCEALED INSTALLATION

Whether you've decided to go for a Rapido with modern thermostat technology or for a classical single lever mixer, all you need to do once it's installed is to choose the appropriate trim set – nothing could be quicker or easier.



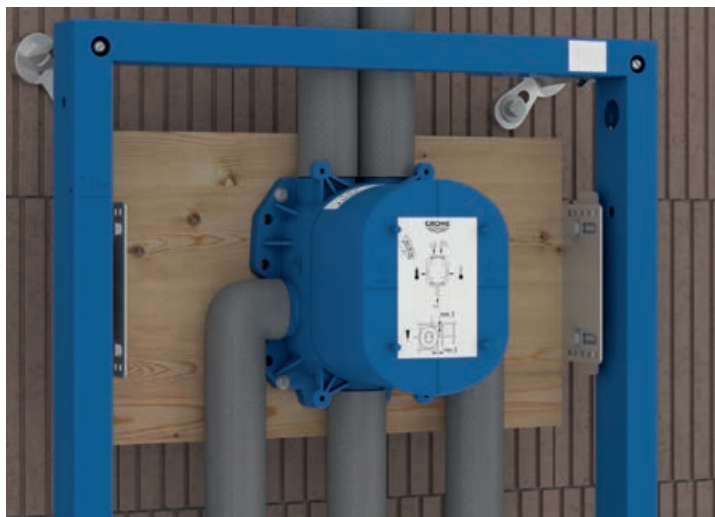
SINGLE CONNECTION FOR SUPERFAST INSTALLATION

Never before has it been possible to install a concealed system so quickly. The connections are coded, so there is no chance of the unit being connected incorrectly. With the 1/2" standard used on all Rapido connections, the frequently required sealing of 3/4"x1/2" reducing nipples becomes a thing of the past. Assembly plugs and material for the wall seal are delivered at the same time.



SUPER SILENT AND LEAKPROOF

GROHE Rapido provides quieter operation for installations in wet conditions or with dry cladding. In addition, the stable fitting box is equipped with numerous fixing points to ensure secure fastening. The supplied sealing tile fits exactly and provides a watertight seal for the fitting box.



THE PERFECT MATCH – EVERY TIME

The concealed installation of GROHE Rapido blends well with the GROHE Rapid SL studded-wall installation system and various systems from other manufacturers.



SAFE IN THE BOX, EASY TO USE

The Rapido programme offers a range of installation-friendly and efficient solutions for custom shower systems: the Rapido C concealed valve is also equipped in the factory with a stable fitting box for sound-insulated installation and secure fastening in wet conditions and with dry cladding. A sealing tile to give a professional wall seal is supplied with every Rapido.

Rapido C has a $\frac{3}{4}$ " ceramic headpart. This ensures a high flow rate and ease of use for convenient shower solutions.

The concealed valve is suitable for all GROHE trim sets. It can also be used with Grohtherm F as a three-way concealed valve.

GROHE RAPIDO CONCEALED INSTALLATION JUST 9 STEPS AND IT'S DONE



1
Install the pipe unions



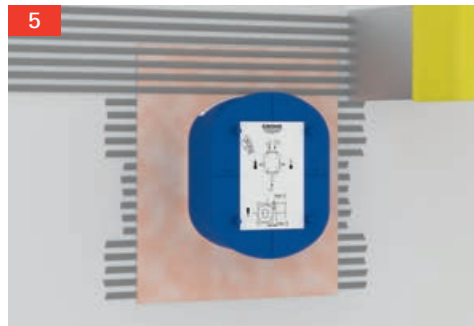
2
Align the concealed valve
Mark drill holes, drill holes and install fitting box



3
Connect and insulate pipes
Check connections
Flush pipes thoroughly



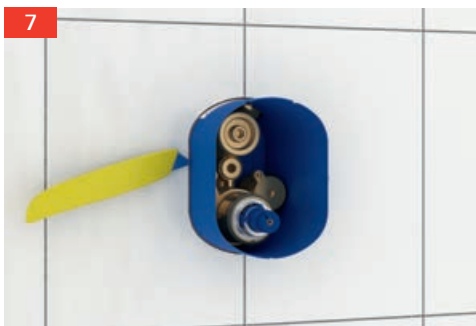
4
Make good wall recess
Note markings indicating the correct installation depth



5
Apply tile cement to the wall
Attach backing material for wall seal



6
Tile



7
Remove protective cover
Cut fitting box so it is flush with the tiles



8
Fit headpart of Aquadimmer – fit bath or ceramic headpart – shower (part of trim set)

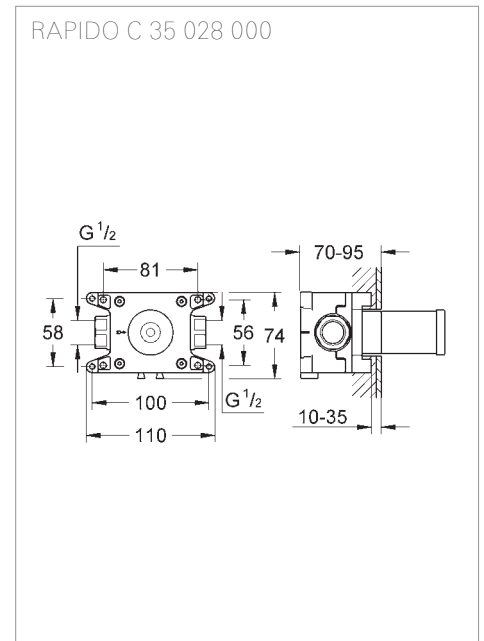
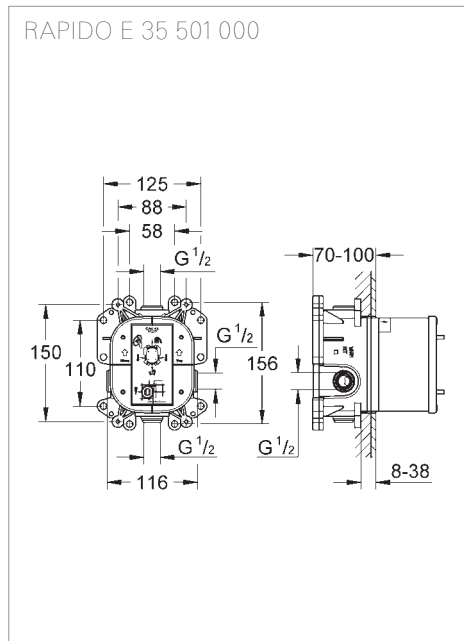
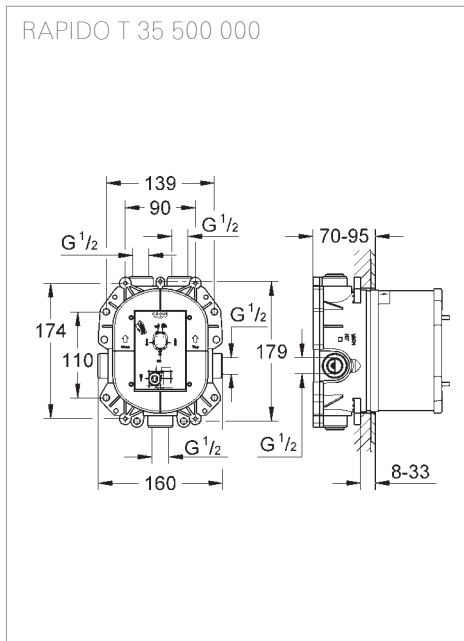


9
Fit trim set



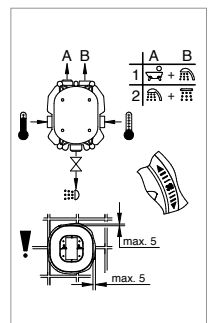
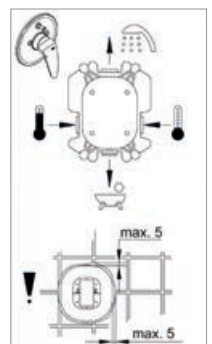
Finished!

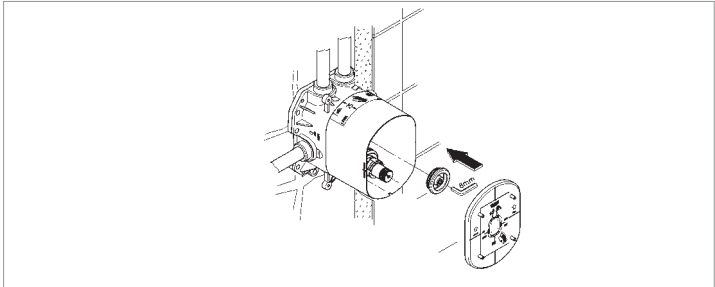
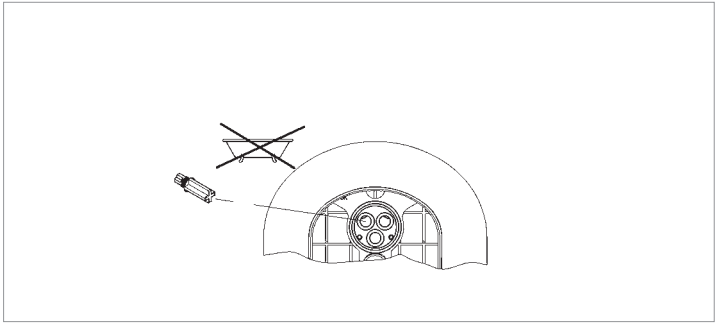
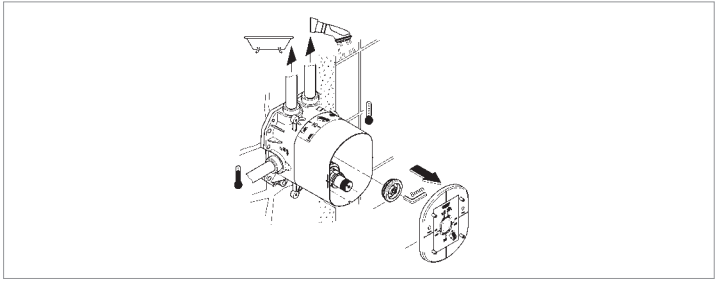
GROHE RAPIDO INSTALLATION ADVICE



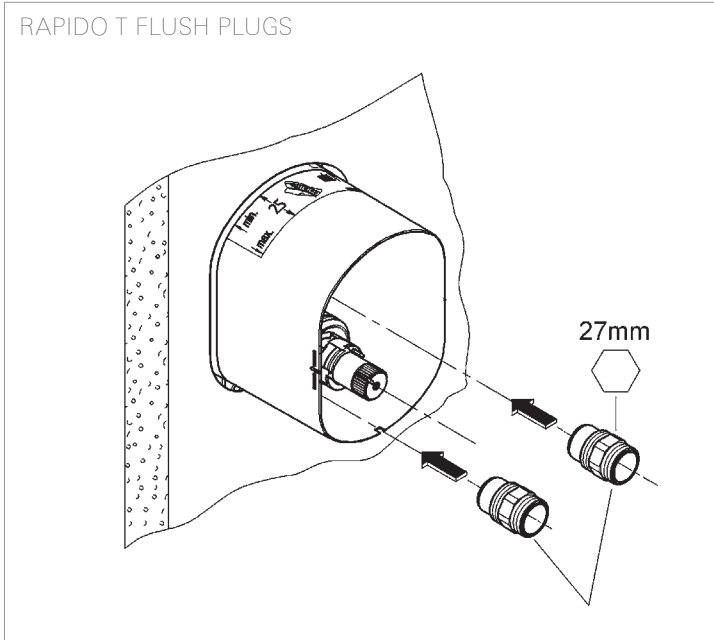
SKELETON CONSTRUCTION

- Connect hot water left/cold water right, 1/2" standard thread
- Fitting depth 70-95 mm (Rapido T)
- Fitting depth 70-100 mm (Rapido E)
- Fitting depth 70-95 mm (Rapido C)
- Extension sets
 - 47 780 000 27.5 mm for central and shower thermostat
 - 47 781 000 27.5 mm for thermostat with AquaDimmer
 - 46 191 000 25 mm for single-lever mixer
 - 46 343 000 50 mm for single-lever mixer
- With the Rapido E, the lower outlet has priority (bath)
- With the Rapido T, connect the bath to the upper left outlet and the shower to the upper right (an appropriate warning is printed on the product)
- With the Rapido T with head shower and hand shower, connect the head shower to the upper right outlet and the hand shower to the upper left outlet
- Side showers are connected to the lower outlet (faster flow rate) of the Rapido T and shut off using a concealed valve
- With the Rapido T, a concealed valve is required if the lower outlet (3rd outlet) is to be used (an appropriate warning is printed on the product)
- Shut off any unused outlets using the plugs provided





RAPIDO T FLUSH PLUGS



FLUSHING

- Flush the complete installation according to DIN 1988/EN1717
- Use the single-lever mixer cartridge to flush the Rapido E (disassembly not necessary)
- To flush the Rapido T, first remove the non-return valve and then flush using the flush plus provided

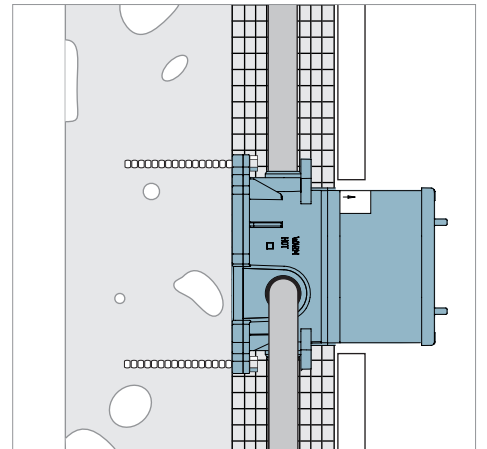
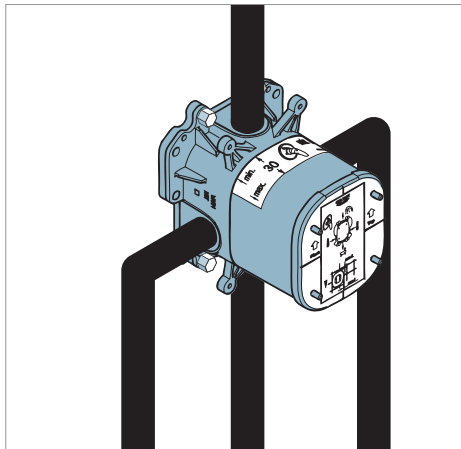
RAPIDO T IN COMBINATION WITH
TALENTOFILL BATH FILLER, POP-UP
WASTE AND OVERFLOW SET

- During raw installation, the shut-off device is not yet installed in the thermostat housing (part of the trim set)
- During the installation, shut off the water supply to the bath filler and overflow set using the plugs provided:
 1. Remove lid
 2. Remove screw plug
 3. Insert plug in the outlet for the bath filler and overflow set
 4. Screw in screw plug
 5. Fit lid

GROHE RAPIDO CONCEALED INSTALLATION

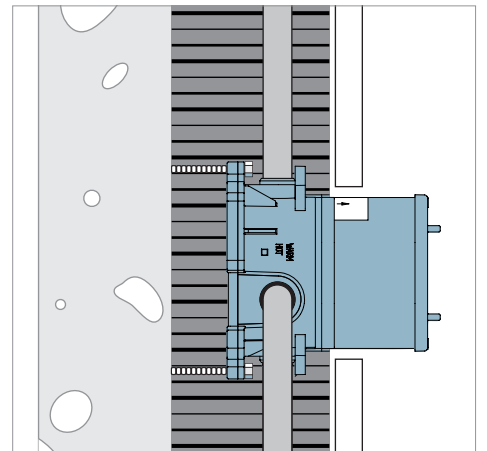
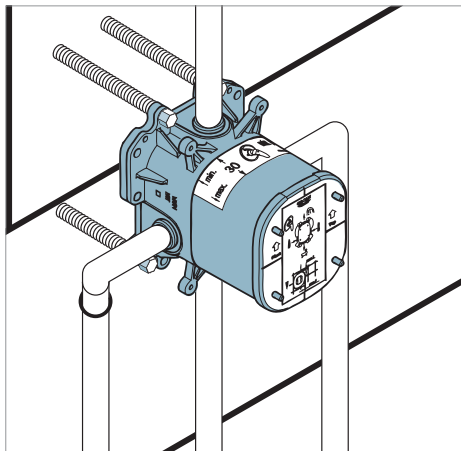
RAPIDO OFFERS ALL INSTALLATION OPTIONS FOR WET CONDITIONS AND DRY CLADDING

SURFACE-MOUNTED
INSTALLATION

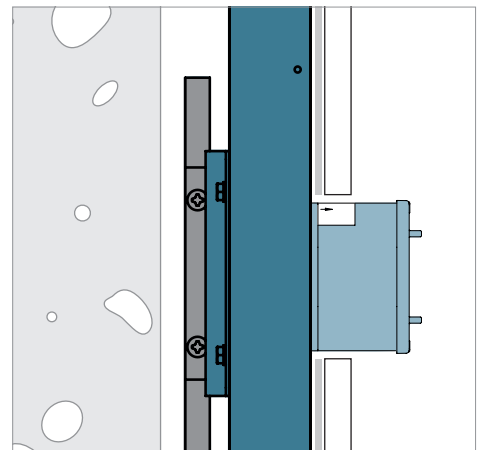
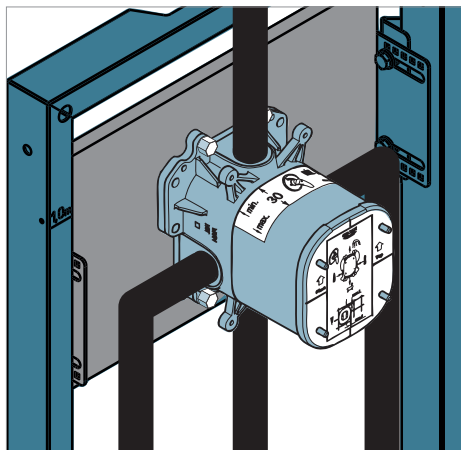


FRONT-OF-WALL
INSTALLATION

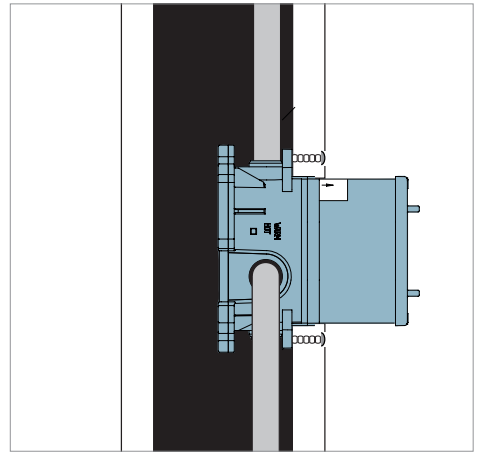
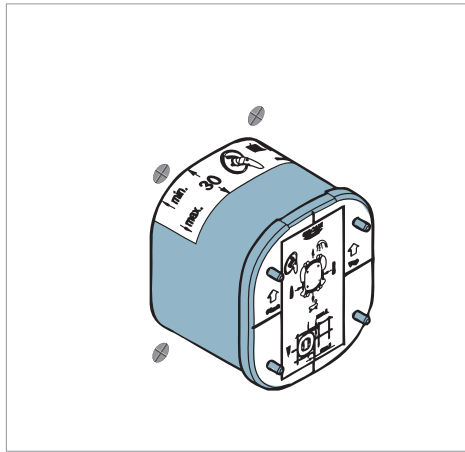
Here using hanger bolts
as range spacers



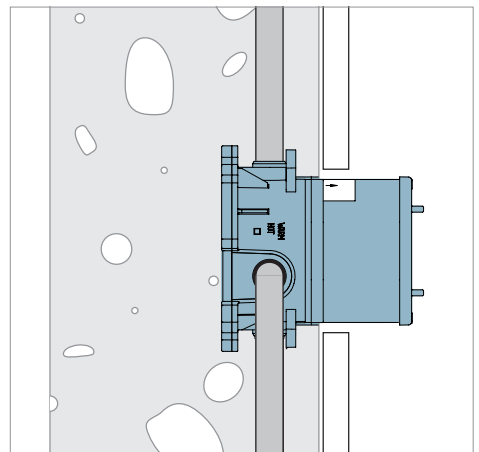
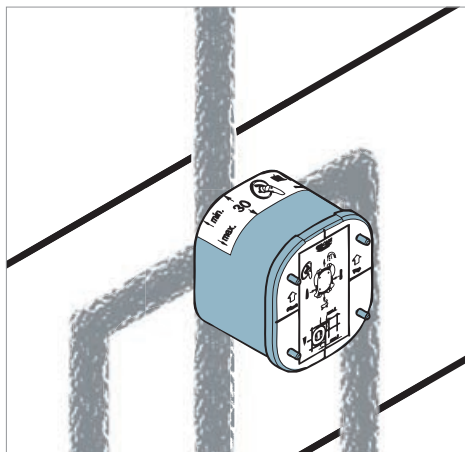
INSTALLATION ON
CARRIER SYSTEMS



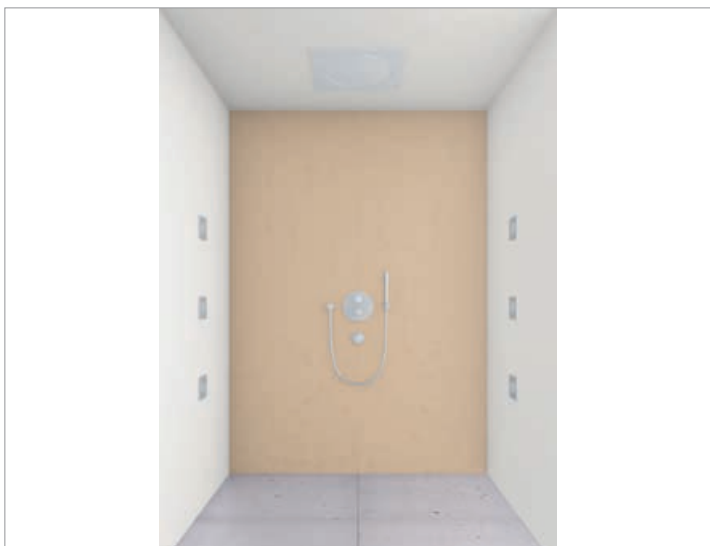
REAR INSTALLATION/
INSTALLATION IN
PREFABRICATED SHELLS



CONCEALED
INSTALLATION

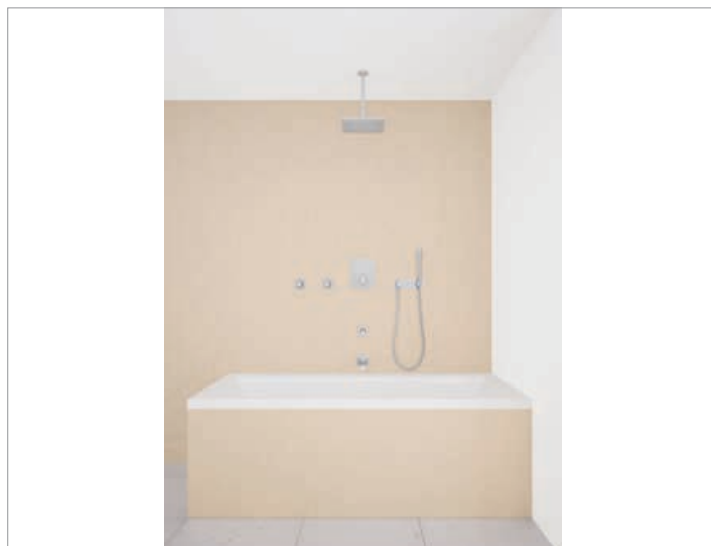


GROHE RAPIDO CONCEALED INSTALLATION RAPIDO FLEXIBLE FOR EVERY APPLICATION



RAPIDO T WITH TRIM SET,
AQUADIMMER AND ADDITIONAL
= CONCEALED VALVE
(THREE OUTLETS)

The AquaDimmer allows you to open either shower 1 or shower 2. A concealed valve connected to the lower outlet enables side showers, for example, to be used at the same time. Alternatively, a bath inlet could be activated as the third outlet. The high flow rate of the Rapido T means that side showers connected to the lower outlet can be supplied at the same time without any problems.



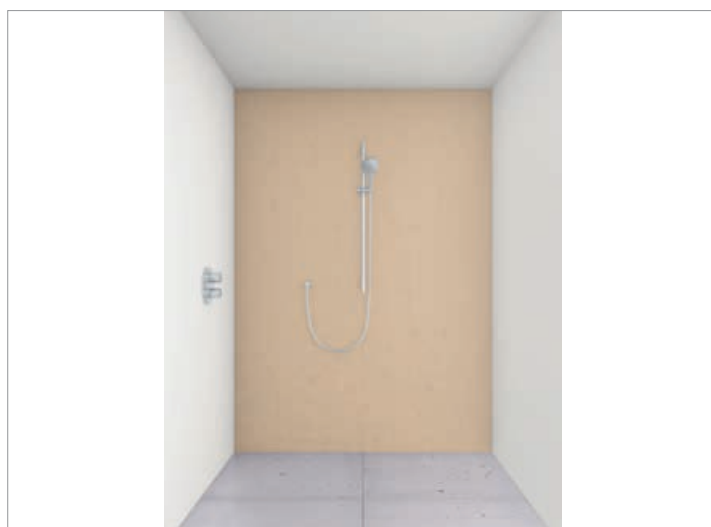
RAPIDO T WITH TRIM SET,
CENTRAL THERMOSTAT
AND CONCEALED VALVE(S)

Depending on the available flow rate, a number of outlets, supplied through one or more concealed valves, can be in use at the same time. Individual concealed valves can be located next to each outlet, an advantage where usage varies (such as in a hotel). A three-way concealed valve can also be used in the Grohtherm F variant.



RAPIDO T WITH TRIM SET
AND AQUADIMMER

The AquaDimmer is an integrated shut-off and diverter valve that controls two outlets, although only one outlet is ever open. This is particularly the case when used on a bath or a shower with two heads. If used with an integrated bath filler, pop-up waste and overflow set, the DIN EN 1717-certified and retrofittable 29007 protective device replaces the usual anti-vacuum device.



RAPIDO T WITH TRIM SET
AND SHOWER

In this case, the integrated shut-off device operates a single outlet, e.g. a head or hand shower.



RAPIDO T AND GROHTHERM F
WITH MULTISPRAY SHOWER

Rapido T back sections with a Multispray head shower and a hand shower can be controlled by a trim set comprising of an Aquadimmer and a Grohtherm F three-way concealed valve.



RAPIDO E
WITH BATH TRIM SET

The trim set contains an automatic diverter, which is simply screwed into the Rapido E. It diverts the flow between the head and hand shower or between the shower and the bath inlet.

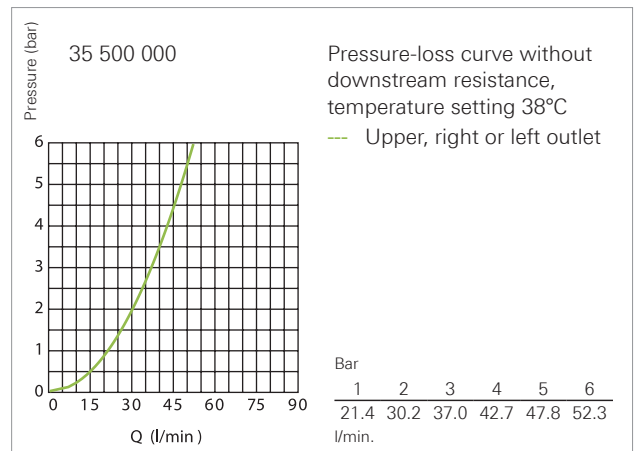
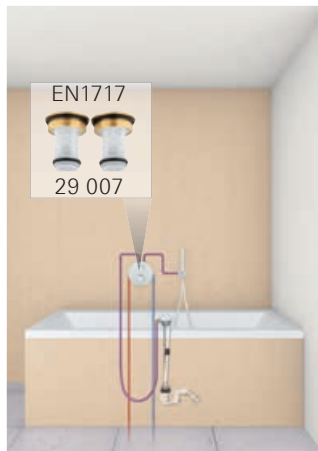


RAPIDO E WITH SHOWER
TRIM SET

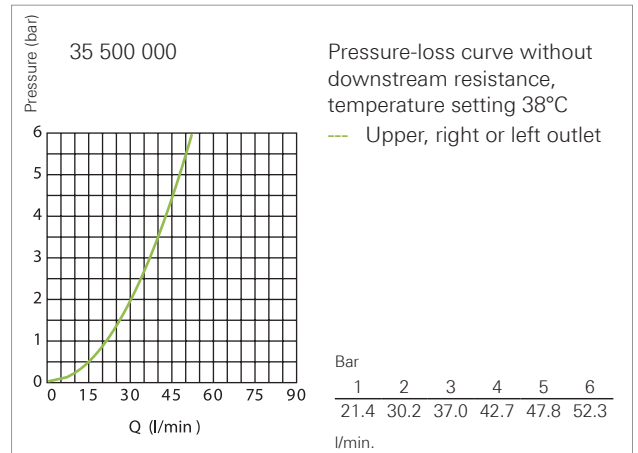
For use with one shower – usually a hand or head shower.

GROHE RAPIDO CONCEALED INSTALLATION PLANNING DATA/INSTALLATION VARIANTS

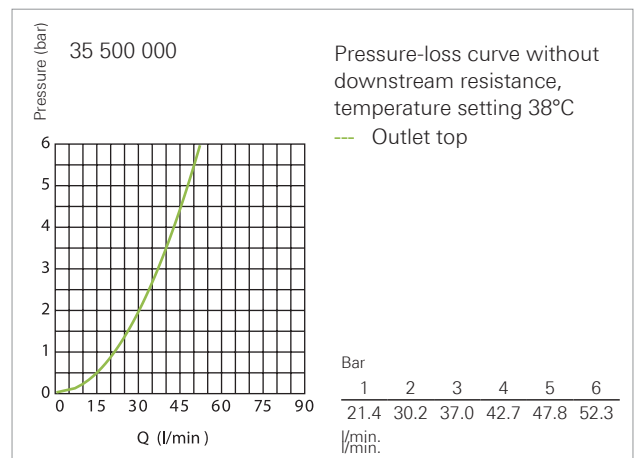
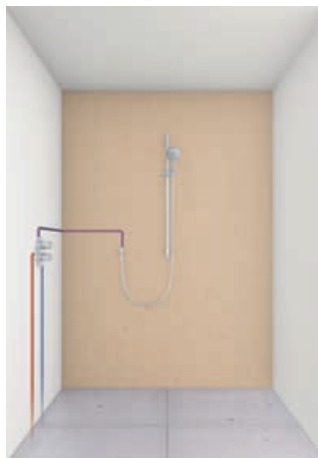
Thermostatic bath fitting with
AquaDimmer, Talentofill and
integrated protective combination



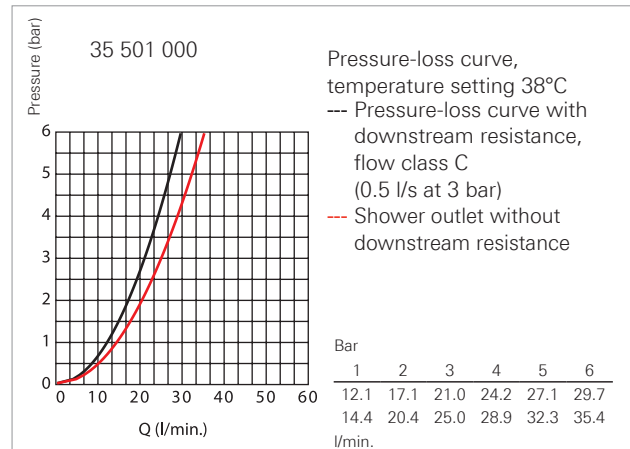
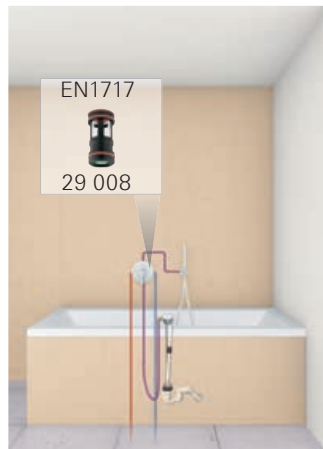
Thermostatic bath fitting
with AquaDimmer



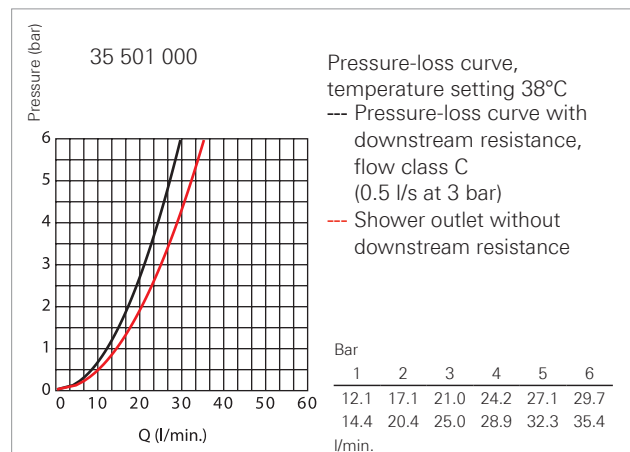
Single shower
thermostat



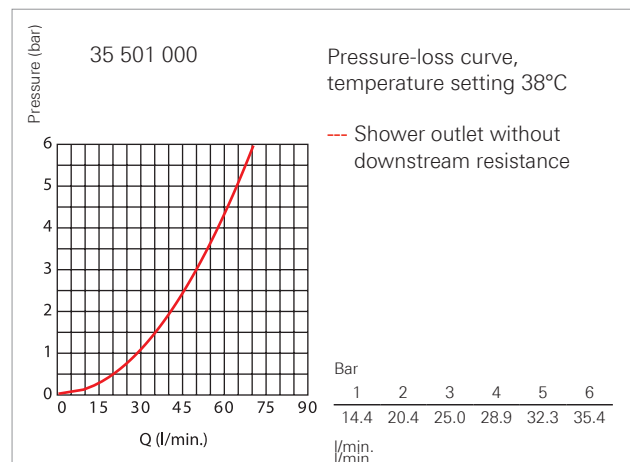
Single-lever mixer bath fitting, Talentofill and integrated protective combination



Single-lever mixer bath fitting

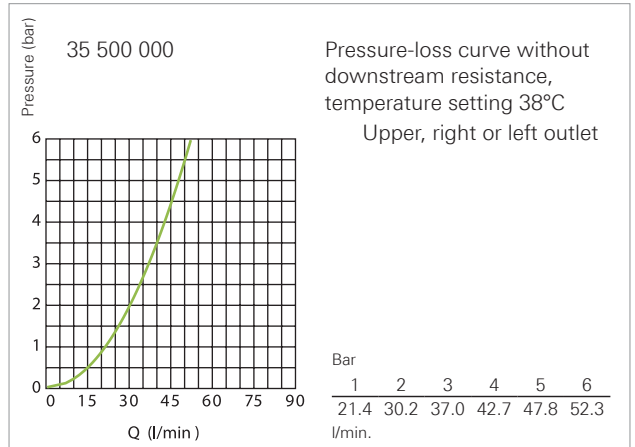


Single shower single-lever mixer

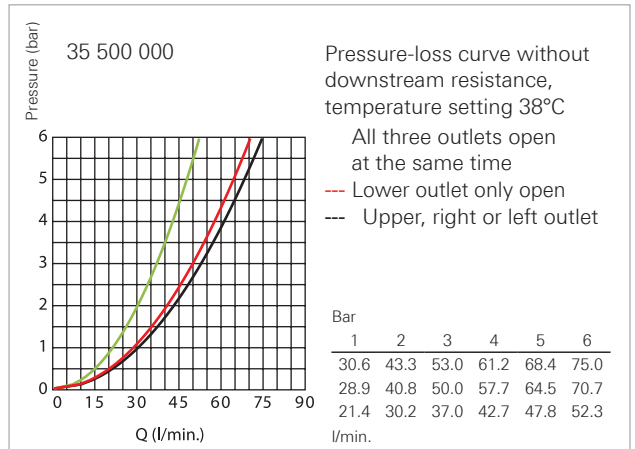
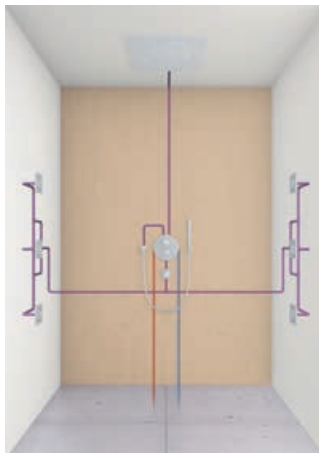


GROHE RAPIDO CONCEALED INSTALLATION PLANNING DATA/INSTALLATION VARIANTS

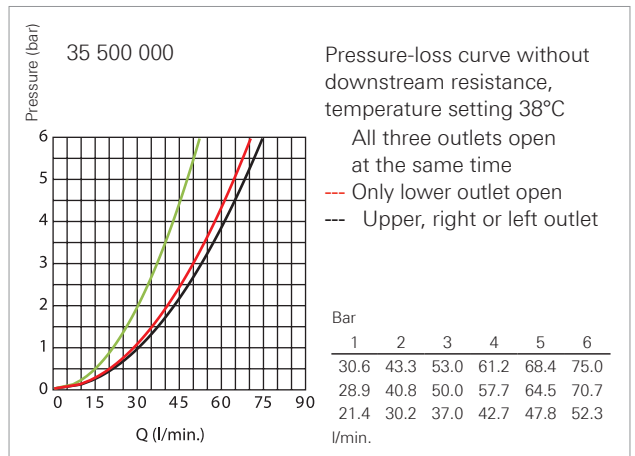
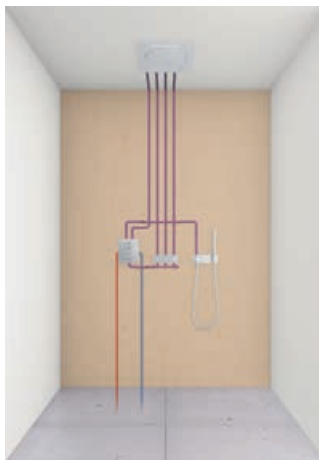
Shower fitting
Thermostat
with AquaDimmer



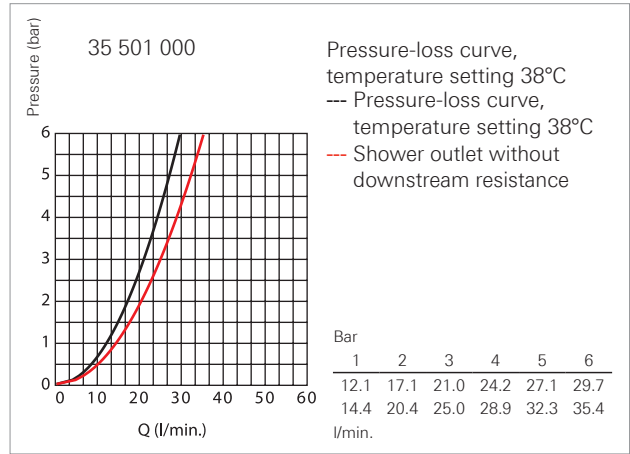
Thermostat with AquaDimmer
and concealed valve



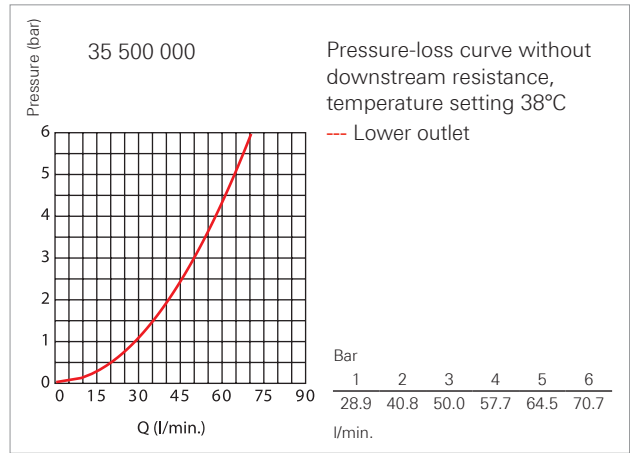
Grotherm F with Multispray
head shower and hand shower



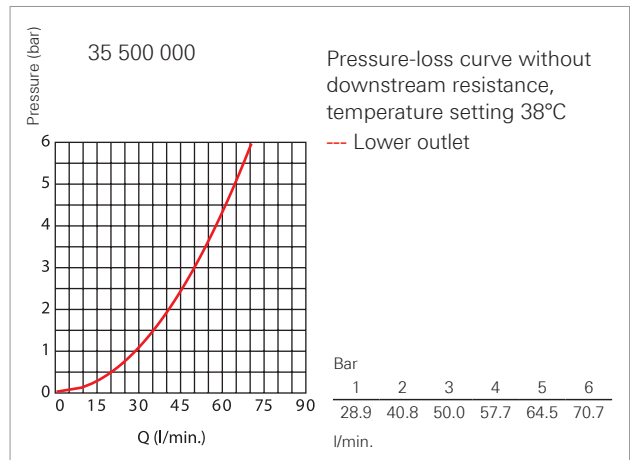
Shower fitting single-lever mixer with diverter



Central thermostat mixer in the bath with several concealed valves Grohtherm F



Central thermostat mixer in the shower with 3-way concealed valves Grohtherm F



GROHE RAPIDO CONCEALED INSTALLATION PLANNING DATA/SUPPLY PRESSURE

The supply pressure determines the number of possible showers that can be used at the same time. The following table shows the recommended configurations at the specified water pressure when the ceiling and side showers are in use simultaneously.

NUMBER OF SIDE SHOWERS	HEAD SHOWER	HAND SHOWER	REQUIREMENT	MIN. FLOW PRESSURE (HOT AND COLD WATER)
6x 27 251 000 side showers Rainshower® F-Series 5"	1x 27 286 000 Rainshower® F-Series 20" ceiling shower	1 x 28 034 000 Sena hand shower	6 side showers and 1 ceiling-mounted head shower can be supplied at the same time: head shower approx. 12 l/min., each side shower approx. 5 l/min	3 bar
4x 27 251 000 side showers Rainshower® F-Series 5"	1x 27 286 000 Rainshower® F-Series 20" ceiling shower	1 x 28 034 000 Sena hand shower	4 side showers and 1 ceiling-mounted head shower can be supplied at the same time: head shower approx. 12 l/min., each side shower approx. 5 l/min	2 bar
3 x 27 251 000 side showers Rainshower® F-Series 5"	1x 27 286 000 Rainshower® F-Series 20" ceiling shower	1 x 28 034 000 Sena hand shower	3 side showers and 1 ceiling-mounted head shower can be supplied at the same time: head shower approx. 12 l/min., each side shower approx. 5 l/min	1.5 bar
2 x 27 251 000 side showers Rainshower® F-Series 5"	1x 27 286 000 Rainshower® F-Series 20" ceiling shower	1 x 28 034 000 Sena hand shower	2 side showers and 1 ceiling-mounted head shower can be supplied at the same time: head shower approx. 12 l/min., each side shower approx. 5 l/min	1 bar

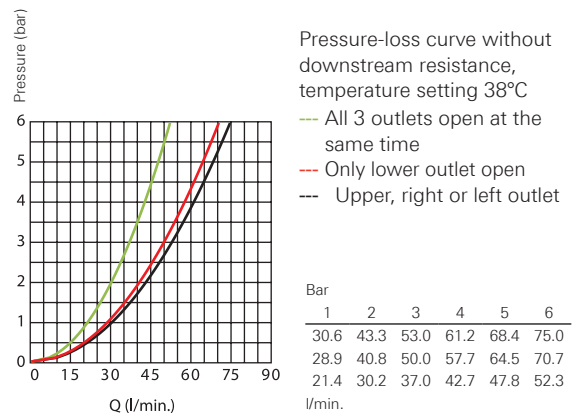


CONCEALED
TECHNOLOGY

GROHE RAPIDO T THERMOSTATS



FLOW RATE VALUES 35 500 000



TECHNICAL FEATURES

Technology

- GROHE TurboStat® compact cartridge ¾" with expansion thermostatic cartridge

Application area

- Pressurised storage heaters
- Thermally/hydraulically-controlled instantaneous heaters
- Operation with unpressurised storage heaters (displacement water heaters) is not possible

Flow pressure

- Minimum flow pressure with downstream resistances 1 bar
- Recommended 1 - 5 bar
- Operating pressure max. 10 bar/test pressure 16 bar

Flow rate

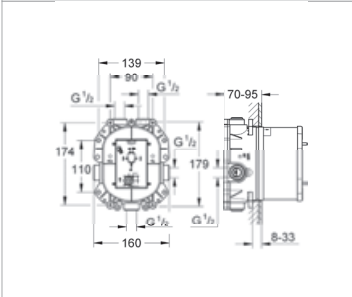
- Flow rate at 3 bar flow pressure and simultaneous use of all 3 outlets approx. 53 l/min.
- Minimum flow rate 5 l/min.

Temperature

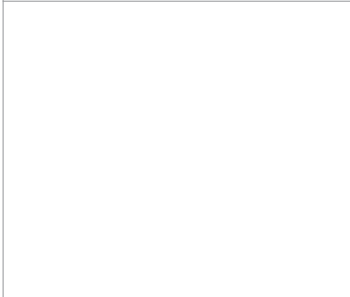
- Hot water input max. 80°C/energy economy recommendation 60°C
- Safety stop 38°C
- Hot water temperature at supply connection at least 2°C higher than mixed water temperature

Fitting depth

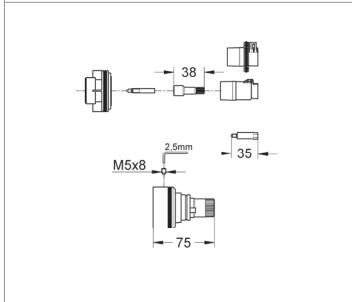
- 70 – 95 mm



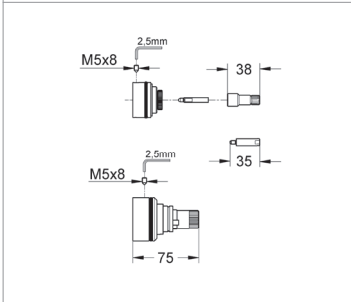
35 500 000
Rapido T
 Universal thermostatic mixer
 for concealed installation
 for use with bath-, shower- and
 central-mixer



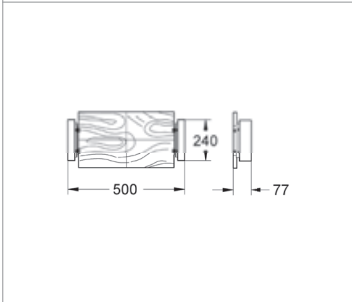
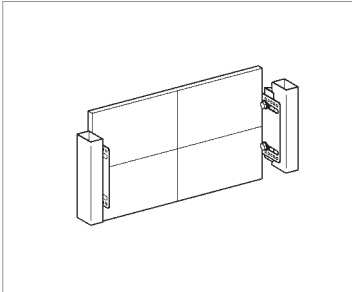
29 007 000
 Safety combination (DIN EN 1717)
 Re-fitting-set for backflow protection
 for use with inlet- pop-up
 and waste-sets



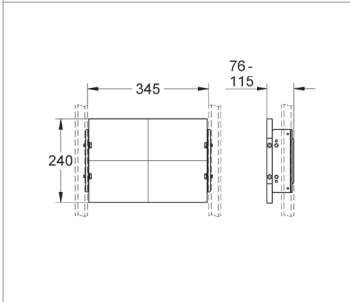
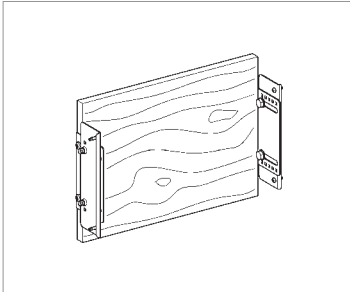
47 780 000
 Extension-set 27.5 mm
 for use with central-thermostats
 and shower-thermostats
 with shut-off valve



47 781 000
 Extension-set 27.5 mm
 for use with bath-thermostats
 with aquadimmer







































38 652 000
 Rapid SL fitting support
 for concealed fittings and room
 ventilation
 for studded walls
 for empty frames
 for GROHE Rapido
 variable depth adjustment 75-115 mm



39 042 000
Rapid Pro mounting plate
 for fixing concealed fittings and room
 ventilation for Rapid Pro System
 for GROHE Rapido
 345 x 240 x 20 mm
 variable depth adjustment 75-115 mm
 with waterproof plywood board for
 fixation
 fixing material

GROHE RAPIDO T OVERVIEW TRIMSETS

	Thermostatic shower mixer	Thermostatic bath mixer	Central thermostat
Grandera	 19 934 000	 19 948 000 19 937 000	 19 941 000
GROHE Ondus®	 19 443 000	 19 442 000	
Veris	 19 369 000	 19 364 000	
Allure Brilliant	 19 791 000	 19 792 000	 19 887 000
Allure	 19 380 000	 19 446 000	
Atrio Ypsilon	 19 394 000	 19 395 000	 19 392 000
Atrio Jota	 19 398 000	 19 399 000	 19 396 000

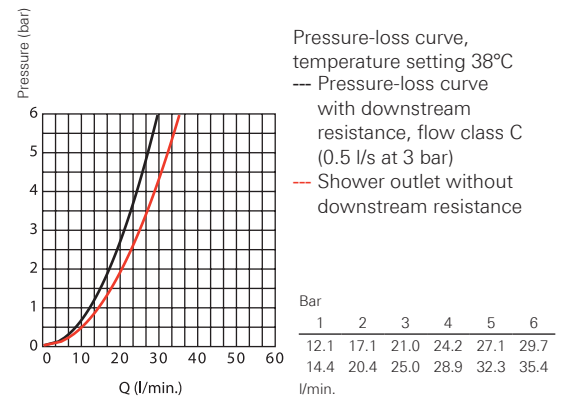
	Thermostatic shower mixer	Thermostatic bath mixer	Central thermostat
Grotherm F	 27 618 000		 27 619 000
Grotherm 3000 Cosmopolitan	 19 467 000	 19 468 000	 19 469 000
	 19 568 000	 19 567 000	
Grotherm Cube	 19 959 000	 19 958 000	 19 961 000
Grotherm 2000	 19 354 001	 19 355 001	 19 352 001
Grotherm 2000 Spezial	 19 416 000	 19 417 000	 19 418 000
Grotherm 1000 New	 19 984 000	 19 985 000 19 986 000	

CONCEALED
TECHNOLOGY

GROHE RAPIDO E SINGLE LEVER MIXER



FLOW RATE VALUES 35 501 000



TECHNICAL FEATURES

Technology

- GROHE SilkMove® 46mm ceramic cartridge

Application area

- Pressurised storage heaters
- Thermally/hydraulically-controlled instantaneous heaters
- Operation with unpressurised storage heaters (displacement water heaters) is not possible

Flow pressure

- Minimum flow pressure without downstream resistances 0.5 bar

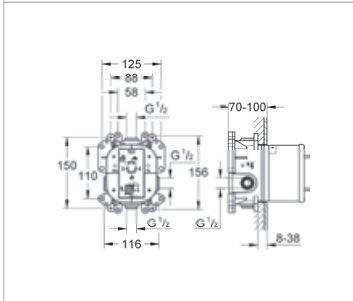
- Recommended 1 - 5 bar
- Operating pressure max. 10 bar/test pressure 16 bar
- Flow rate
- At 3 bar flow pressure: approx. 25 l/min.

Temperature

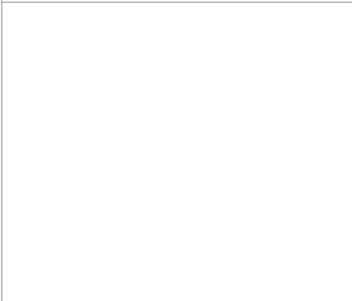
- Hot water input max. 80°C/energy economy recommendation 60°C

Fitting depth

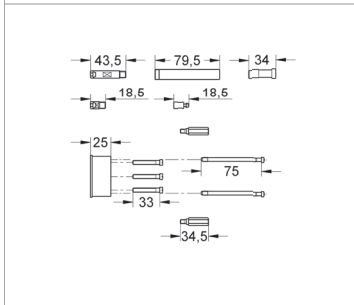
- 70-100 mm



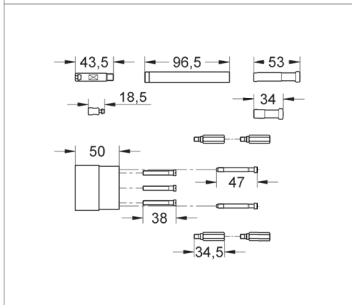
35 501 000
Rapido E
 Universal single-lever mixer
 for concealed installation
 for use with bath- and shower-mixer



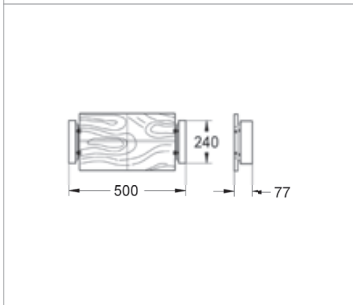
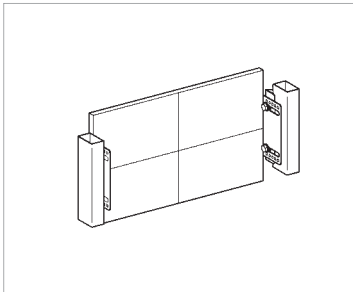
29 008 000
 Safety combination (DIN EN 1717)
 Re-fitting-set for backflow protection
 for use with inlet- pop-up
 and waste-sets



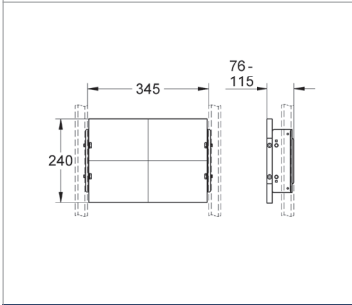
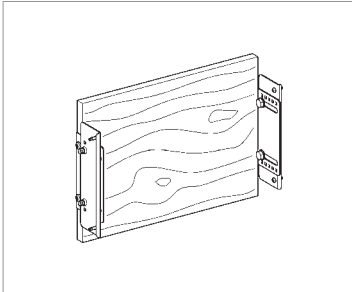
46 191 000
 Extension-set, 25 mm



46 343 000
 Extension-set, 50 mm





























38 652 000
 Rapid SL fitting support
 for concealed fittings and room
 ventilation
 for studded walls
 for empty frames
 for GROHE Rapido
 variable depth adjustment 75-115 mm



39 042 000
Rapid Pro mounting plate
 for fixing concealed fittings and room
 ventilation for Rapid Pro System
 for GROHE Rapido
 345 x 240 x 20 mm
 variable depth adjustment 75-115 mm
 with waterproof plywood board for
 fixation
 fixing material

GROHE RAPIDO E OVERVIEW TRIMSETS

	Shower trim set	Bath/shower trim set
Grandera	 19 932 000	 19 920 000
Veris	 19 367 000	 19 344 000
Allure Brilliant	 19 789 000	 19 785 000
Allure	 19 317 000	 19 315 000
Atrio	 19 463 001	 19 459 001
Quadra	 19 455 000	 19 456 000
Lineare	 19 296 000	 19 297 000
Eurocube	 19 898 000	 19 896 000

Anwendung	Shower trim set	Bath/shower trim set
Europlus	 19 537 002	 19 536 002
Essence New	 19 286 001	 19 285 001
Eurodisc Cosmopolitan	 19 549 002	 19 548 002
Concetto	 19 345 001	 19 346 001
Eurostyle Cosmopolitan	 19 507 002	 19 506 002
Eurosmart Cosmopolitan	 19 383 000	 19 382 000
Eurosmart New	 19 451 002	 19 450 002

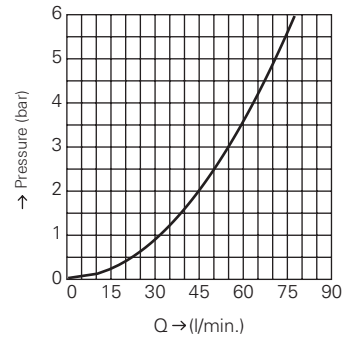
CONCEALED
TECHNOLOGY

GROHE RAPIDO C CLASSIC CONCEALED VALVE



FLOW RATE VALUES RAPIDO C

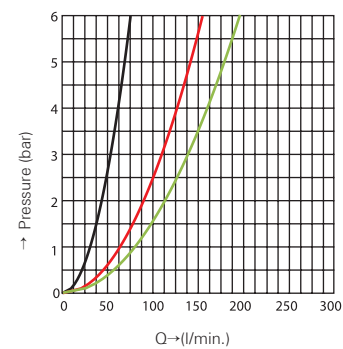
35 028



Pressure-loss curve without downstream resistance.

— Pressure-loss curve without downstream resistance.

35 031



Pressure-loss curve without downstream resistance.

— One valve open
— Two valves open
— Three valves open

TECHNICAL FEATURES

Technology

- GROHE ¾" ceramic headpart – 90°

Application area

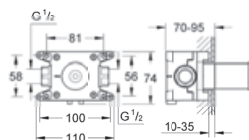
- Shut-off valve for all GROHE concealed valves
- Grotherm F grid installation
- Do not use concealed valves with ceramic headparts as line shutoffs

Flow rate at 3 bar flow pressure

- Rapido C 35028 approx. 55 l/min.
- Rapido C 35031 (3-way valve)
 - One valve open approx. 55 l/min
 - Two valves open approx. 110 l/min
 - Three valves open approx. 140 l/min

Fitting depth

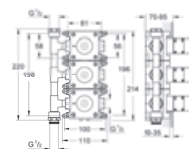
- 70-95 mm



35 028 000

Rapido C

Rough-in for single volume control for grid installation of Grotherm Custom Shower system
 build-in box with removable protection cover
 fixing points for front and back wall



35 031 000

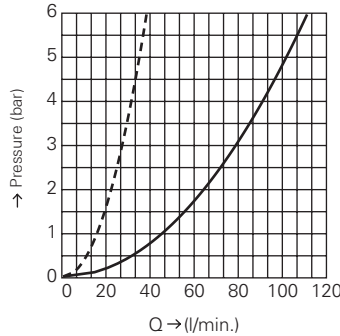
Rapido C

Rough-in for triple volume control build-in box with removable protection cover
 build-in box with removable protection cover
 fixing points for front and back wall

GROHE CONCEALED VALVES

FLOW RATE VALUES

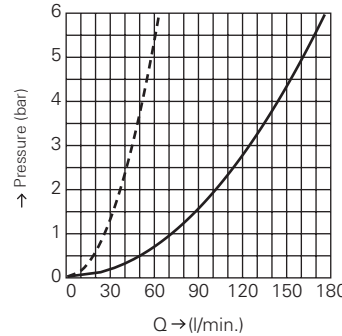
29 800, 29 801



— Pressure-loss curve without downstream resistance.
 - - - Pressure-loss curve with downstream low-noise resistance, flow-rate setting as per DIN 52218
 Part 3, Table 1 (0.50 l/s at 3 bar flow pressure)

Bar	1	2	3	4	5	6
	45.6	64.5	79.0	91.2	102.0	111.7
	15.6	22.0	27.0	31.2	34.9	38.2

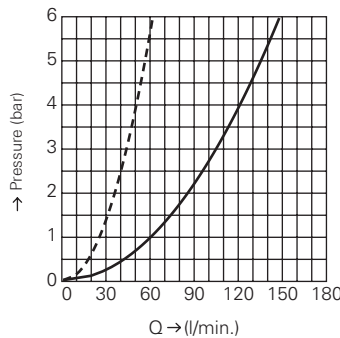
29 802, 29 804



— Pressure-loss curve without downstream resistance.
 - - - Pressure-loss curve with downstream low-noise resistance, flow-rate setting as per DIN 52218
 Part 3, Table 1 (0.80 l/s at 3 bar flow pressure)

Bar	1	2	3	4	5	6
	72.2	102.1	125.0	144.3	161.4	176.8
	25.7	36.3	44.5	51.4	57.4	62.9

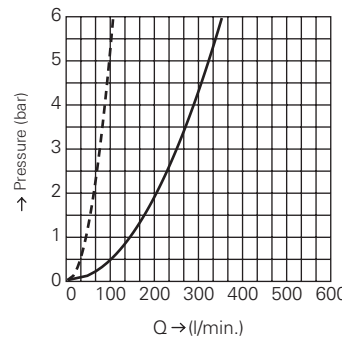
29 803



— Pressure-loss curve without downstream resistance.
 - - - Pressure-loss curve with downstream low-noise resistance, flow-rate setting as per DIN 52218
 Part 3, Table 1 (0.80 l/s at 3 bar flow pressure)

Bar	1	2	3	4	5	6
	60.6	85.7	105.0	121.2	135.6	148.5
	25.1	35.5	43.5	50.2	56.2	61.5

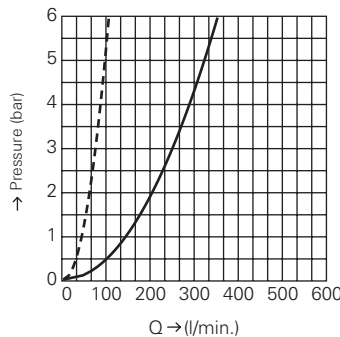
29 805, 29 806



— Pressure-loss curve without downstream resistance.
 - - - Pressure-loss curve with downstream low-noise resistance, flow-rate setting as per DIN 52218
 Part 3, Table 1 (1.30 l/s at 3 bar flow pressure)

Bar	1	2	3	4	5	6
	144.3	204.1	250.0	288.7	322.7	353.6
	42.7	60.4	74.0	85.4	95.5	104.7

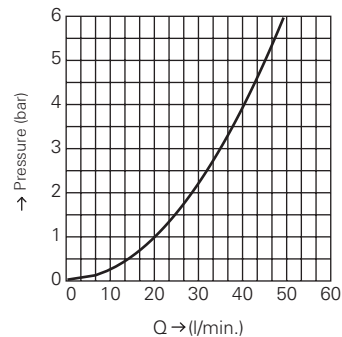
29 806



— Pressure-loss curve without downstream resistance.
 - - - Pressure-loss curve with downstream low-noise resistance, flow-rate setting as per DIN 52218
 Part 3, Table 1 (1.30 l/s at 3 bar flow pressure)

Bar	1	2	3	4	5	6
	144.3	204.1	250.0	288.7	322.7	353.6
	42.7	60.4	74.0	85.4	95.5	104.7

29 811



— Pressure-loss curve without downstream resistance.

Bar	1	2	3	4	5	6
	20.2	28.6	35.0	40.4	45.2	49.5

TECHNICAL FEATURES

Technology

- GROHE Long-Life headpart 1/2" (29800/29801)
- GROHE Long-Life headpart 3/4" (29802/29803/29804)
- GROHE ceramic headpart 1/2", 180° (29811)
- GROHE ceramic headpart 3/4", 180° (29813)

Application area




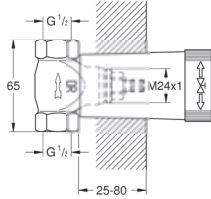
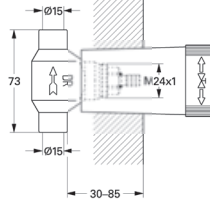
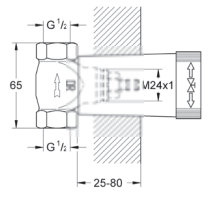
- Shut-off valve for GROHE concealed valve trim sets
- Do not use concealed valves with ceramic headparts as line shutoffs

Flow rate of concealed valves with Long-Life headpart






























- concealed valves 1/2" (29800/29801) approx. 79 l/min
- concealed valves 3/4" (29802/29804) approx. 125 l/min
- concealed valves 1" (29805/29806) approx. 250 l/min

Flow rate of concealed valves with ceramic headparts




















- concealed valves 1/2" (29811) approx. 35 l/min
- concealed valves 3/4" (29813) approx. 95 l/min

		
		
<p>29 800 000</p>	<p>29 801 000</p>	<p>29 811 000</p>
<p>Concealed stop-valve, 1/2" pre-assembled headpart 1/2" short spindle, protection sleeve threaded union 1/2"</p>	<p>Concealed stop-valve, 1/2" pre-assembled headpart 1/2" short spindle, protection sleeve soldered connection Ø15 mm</p>	<p>Concealed valve 1/2" pre-assembled ceramic headpart 1/2" 180°</p>
<p>DR-brass</p>	<p>DR-brass</p>	<p>29 813 000</p>
<p>29 802 000</p>	<p>29 803 000</p>	<p>Concealed valve 3/4"</p>
<p>Concealed stop-valve, 3/4"</p>	<p>Concealed stop-valve, 3/4"</p>	<p>pre-assembled ceramic headpart 3/4" 90°</p>
<p>29 805 000</p>	<p>soldered connection Ø18 mm</p>	<p></p>
<p>Concealed stop-valve, 1"</p>	<p>29 804 000</p>	<p></p>
<p></p>	<p>Concealed stop-valve, 3/4"</p>	<p></p>
<p></p>	<p>soldered connection Ø22 mm</p>	<p></p>
<p></p>	<p>29 806 000</p>	<p></p>
<p></p>	<p>Concealed stop-valve, 1"</p>	<p></p>
<p></p>	<p>soldered connection Ø28 mm</p>	<p></p>

GROHE RAPIDO C/CONCEALED VALVES OVERVIEW

	Rapido C stop-valve with pre-assembled ceramic headpart 35028	Concealed stop-valves 1/2", 3/4", 1" with screw connection and pre-assembled longlife headpart 29800/29802/29805	Concealed stop-valves 1/2", 3/4", 1" with soldered connection and pre-assembled longlife headpart 29801/29803/29804/29806	Concealed stop-valves 1/2", 3/4" with screw connection and pre-assembled ceramic headpart 29811/29813
Allure	 19 334 000	 19 334 000	 19 334 000	 19 334 000
Allure	 19 384 000	 19 384 000	 19 384 000	 19 384 000
Allure Brilliant*)	 19 796 000			
Atlanta	 19 841 000	 19 841 000	 19 841 000	 19 841 000
Atrio Jota	 19 088 000	 19 088 000	 19 088 000	 19 088 000
Atrio Ypsilon	 19 069 000	 19 069 000	 19 069 000	 19 069 000
Brilliant	 19 830 000 / 19 831 000	 19 830 000 / 19 831 000	 19 830 000 / 19 831 000	 19 830 000 / 19 831 000
Costa	 19 808 001 19 809 001 19 806 001 19 807 001 19 854 001 19 855 001	 19 808 001 19 809 001 19 806 001 19 807 001 19 854 001 19 855 001	 19 808 001 19 809 001 19 806 001 19 807 001 19 854 001 19 855 001	 19 808 001 19 809 001 19 806 001 19 807 001 19 854 001 19 855 001

* Concealed valve 29 032 000 with longlife headpart can also be used

	Rapido C stop-valve with pre-assembled ceramic headpart 35028	Concealed stop-valves 1/2", 3/4", 1" with screw connection and pre-assembled longlife headpart 29800/29802/29805	Concealed stop-valves 1/2", 3/4", 1" with soldered connection and pre-assembled longlife headpart 29801/29803/29804/29806	Concealed stop-valves 1/2", 3/4" with screw connection and pre-assembled ceramic headpart 29811/29813
Eurocube	 19 910 000	 19 910 000	 19 910 000	 19 910 000
Grandera*)	 19 944 000			
Grohtherm 1000 New	 19 981 000	 19 981 000	 19 981 000	 19 981 000
Grohtherm 2000	 19 243 001	 19 243 001	 19 243 001	 19 243 001
Grohtherm 3000 Cosmo	 19 470 000	 19 470 000	 19 470 000	 19 470 000
Grohtherm F	 27 623 000			
GROHE Ondus®/ Veris*)	 19 444 000			

CONCEALED
 TECHNOLOGY



GROHE SPECIAL FITTINGS

When it comes to responsible use of water, GROHE can offer professional advice on suitable faucets with a clear, streamlined and functional design.

As the world's leading sanitary brand, GROHE has a long track record in developing reliable faucets for public and commercial use. Whether at Disney World in Florida, the McLaren Technology Center, Aachen University Hospital or Istanbul Airport – GROHE's high-quality faucets are installed all over the world.

The GROHE range is based on proven technologies that are adapted to the needs of different user groups, local conditions, ergonomic requirements, safety aspects and required levels of hygiene. Touchless control, self-closing faucets, thermostats and special singlelever mixers offer specific advantages in individual applications.

GROHE SPECIAL FAUCETS BASIC REQUIREMENTS

The demands on faucets in public and commercial sanitary facilities are very complex. They must first and foremost meet various – often industry-specific – requirements with respect to hygiene, ergonomics and safety. Drinking water regulations, workplace guidelines and accident prevention regulations define these requirements. Facilities in the health sector, such as hospitals, surgeries, retirement and care homes etc., have particularly high standards, as well as food-processing businesses.

Value for money (initial investment + long-term operating costs), functionality and protection against vandalism and tampering are further considerations when choosing the right faucet. The convenience and benefits that the faucets provide in daily operation – such as the adjustment of flow rates, temperature ranges, automatic flushing programmes, thermal disinfection, etc. – should also be considered.

FUNCTIONALITY

Easy, intuitive operation is a key feature of high-quality faucets and helps to ensure user safety because the risk of incorrect operation is minimised. In public and commercial sanitary facilities, the functionality of a faucet must be adapted to the relevant user groups, their requirements, physical conditions and prior knowledge.



SAFETY

Designers, installers and operators can rely on GROHE when it comes to excellence in operational safety. For example, GROHE single-lever mixers have temperature limiters, but can also be expanded to include integrated or upstream thermostats.





HYGIENE

In medical facilities and food-processing businesses, hygiene is given top priority through the use of touchless faucets, for example. Protection of drinking water installations is also important, as stagnant water – and therefore the formation of legionellae, biofilms, etc. – must be prevented. Electronically controlled GROHE faucets can perform automatic flushing at defined intervals. Electronic faucets can also perform thermal disinfection with minimal adjustment.



PROTECTION AGAINST VANDALISM

In public buildings in particular, faucets must be protected against tampering and deliberate destruction. To guarantee operation at all times and prevent intentional flooding, GROHE offers special solutions designed to prevent vandalism. Solutions include concealed functional elements, automatic shut-off of the water, rotation locks for faucets or the correct choice of material (e.g. stainless steel). Bright and well-lit sanitary facilities also make a key contribution to preventing vandalism by positively influencing the behaviour of users.

GROHE SPECIAL FITTINGS COST EFFECTIVENESS

Built-in cost effectiveness.

GROHE fittings offer exceptional value. With relatively low acquisition costs our range of special fittings offers a host of features to keep your water, energy and maintenance costs to a minimum. Even in the most demanding contract installations, our fittings ensure water only runs when required and at the necessary temperature. See for yourself how cost-effectively GROHE special fittings work.



Conventional one-hand lever mixer

12 ltr/min flow

Self-closing fitting Eurosmart Cosmopolitan T

5.7 ltr/min flow
Flow time 7 sec

Self-closing fitting Eurodisc SE

5.7 ltr/min flow
Flow time 7 sec

Touch-free fitting Eurosmart Cosmopolitan E

5.7 ltr/min flow

Basis: 150 uses per day, 250 days per year.

Conventional fitting

With showerhead

12 ltr/min flow

Self-closing shower thermostat Eurodisc SE





with combination of Eurodisc showerhead

a) 12 ltr/min flow




b) 9 ltr/min flow

Basis: 50 x use per day, 250 x use per year

Save water when washing your hands.

Getting hands wet, 5 sec	Take soap + 10 sec	Flush off + 10 sec	Consumption per year	Saving per year
 <p>Flow time 25 sec = 5.00 ltr/use</p>			188 m ³	
 <p>Flow time 21 sec = 2.00 ltr/use</p>			76 m ³	60 %
 <p>Flow time 18 sec = 1.73 ltr/use</p>			65 m ³	65 %
 <p>Flow time 15 sec = 1.44 ltr/use</p>			54 m ³	70 %

Save water when showering.

Adjust temperature 0.25 min	Shower + 1 min	Soaping + 1.5 min	Shower off + 1 min	Shampooing + 1.5 min	Shower off + 1.25 min	Consumption per year	Saving per year
 <p>Flow time 6.5 min = 78 ltr/use</p>						975 m ³	
 <p>a) Flow time 3.25 min = 39 ltr/use</p>						488 m ³	50 %
 <p>b) Flow time 3.25 min = 29.25 ltr/use</p>						366 m ³	65 %

GROHE SPECIAL FAUCETS TECHNOLOGIES AND APPLICATIONS

Each area of application for a faucet requires specific functionality. In hospital operating theatres, for example, hygiene is of the utmost importance. Electronic faucets with touchless operation are the ideal solution for these locations. In many other public and commercial sanitary facilities, on the other hand, selfclosing faucets are the right choice. They are used only when needed, are safe, and are protected against vandalism.

Thermostatic faucets are suitable for any shower, particularly if used by children, senior citizens or people with physical disabilities. Thermostatic faucets also enhance safety for wash basins if the sanitary installation has to operate with high flow temperatures.

Single-lever mixers with convenient features, such as ergonomically designed operating levers, are a popular choice for doctors' surgeries, examination rooms and patient rooms. Some models are also thermostatically protected or have unique ergonomic and operating logic features.



TOUCHLESS FAUCETS

Electronic faucets guarantee maximum hygiene thanks to touchless operation. Because there is no contact with the faucet, the risk of germs being spread among users is minimised considerably. GROHE electronics also offer the advantage of versatile programmes for automatic flushing, which prevent water stagnation. The main areas of application for electronically controlled faucets are medical facilities (hospitals, clinics, care facilities etc.) and businesses in the food-processing industry, as well as heavily frequented general sanitary facilities such as those found in airports and other transport facilities.



SELF-CLOSING FAUCETS

Water flow starts at the touch of a button and ends – in contrast to single-lever mixers – completely automatically. Self-closing faucets are used only when needed and are generally resistant to external influences and tampering. This makes them highly suitable for heavily frequented areas such as sports facilities, schools and leisure facilities. Self-closing faucets also help to save water in wash basins and in showers. The durability offered by GROHE StarLight® technology with its highly resistant surface finish, for example, is another key feature.



THERMOSTATS

Thermostats provide optimum convenience by allowing the desired temperature to be set and maintained. There is therefore no need for laborious readjustment. They also protect against scalding. The thermostats feature GROHE TurboStat® technology, which responds quickly and accurately to pressure fluctuations and changes in the flow temperatures in the pipes. In the event of a disruption in the cold water supply, they immediately shut off the water flow completely.

Thermostats are always a good choice for showers in public sanitary facilities. Thermostatic protection is also very useful for wash basins in hospitals and schools as well as in leisure facilities and facilities for people with disabilities, due to the often very high water temperatures.



SPECIAL SINGLE-LEVER MIXERS

GROHE has a long-standing reputation as a supplier of high-quality, durable cartridges for the simple, wear-free and precise control of single-levers. GROHE SilkMove® guarantees gentle ease of movement and ensures maximum convenience of operation. The same is true of GROHE special faucets, which are controlled using a lever. To meet all ergonomic requirements, they can be fitted with long levers. These levers are available with spout lengths to match the installed wash basin. This prevents germs from being washed up from the outlets.

Special single-lever mixers with 'horizontal' control for the flow rate and temperature also offer enhanced functionality in daily use. Facilities in the health sector traditionally use GROHE special lever mixers for surgeries, examination rooms, patient rooms etc.



GROHE PROFESSIONAL
WORK SMARTER

GROHE TOUCHLESS FAUCETS

Hygiene with a capital 'H' – Sectors such as healthcare, food preparation, catering, and high-traffic areas that are open to the public, are subject to stringent requirements when it comes to the cleanliness of sanitary facilities and washing areas. Touchless-control faucets offer not only maximum protection against the spread of germs, but are also extremely economical because they deliver the exact amount of water that is needed. GROHE design quality ensures that the long service life and functionality of its products is not affected by heavy use.

- Touch-free: touchless operation, optimum hygiene
- GROHE EcoJoy: supplies water only when needed, economical and resource-saving
- GROHE StarLight®: highly resistant finishes
- Hygiene flushing with adjustable flush duration
- Long-life battery: long life thanks to unique low-energy electronics (seven years/150 cycles per day)
- Vandalism-protected devices
- Extensive range for a wide variety



GROHE
EcoJoy



GROHE
StarLight®

GROHE features:
LongLifeBattery
TouchFree
InvisibleFastening System

GROHE TOUCHLESS FAUCETS HYGIENE REGULATIONS AND REQUIREMENTS

Touchless control is the ideal solution for situations where wash basin faucets must not be operated by hand. Some of the main applications are described below.

MOTORWAY SERVICE AREAS

SCOPE:

Service areas operated by Autobahn Tank & Rast GmbH & Co. KG GROHE Europlus E touchless wash basin faucets are installed in their sanitary facilities.

Regulations:

Requirements of Autobahn Tank & Rast GmbH & Co. KG (Sanifair guarantee).

DAIRY OPERATIONS:

SCOPE:

Companies involved in the production and marketing of raw milk, heat-treated milk and milk-based products, such as dairy collection centres and processing plants for dairy products.

Milk processing rooms must have an adequate number of facilities with hot and cold running water, or water pre-mixed to a suitable temperature for cleaning and disinfecting hands. In work rooms and toilets, taps* must not be operated by hand.

Council Directive 94/71/EEC of December 13th 1994 amending Directive 92/42/EEC

*= Faucets

MEAT-PROCESSING COMPANIES

SCOPE:

Companies in which health problems affecting intra-community trade in meat products may arise (EEC Directive), such as abattoirs, cutting and processing companies, meat departments with fresh meat, butchers shops, meat-processing industry.

Companies must have an adequate number of facilities with hot and cold running water, or water pre-mixed to a suitable temperature for cleaning and disinfecting hands. In work rooms and toilets, taps* must not be operated by hand.

All companies subject to the hygiene requirements governing trade in meat products (meat hygiene regulations). Cleaning facilities must be installed as close as possible to the workplace and in sufficient numbers, with taps* that must not be operated by hand. Toilets must be provided with facilities for washing hands, with valves that must not be operated by hand.

Regulations:

- Council Directive 92/5/EEC of February 10th 1992 amending and updating Directive 77/99/EEC and amending Directive 64/433/EEC
- Regulation governing meat hygiene dated June 29th 2001 (as amended)

*= Faucets

MEDICAL AREAS

SCOPE:

In business operations and parts thereof in which people are to be examined, treated or nursed as inpatients, medically examined or treated as outpatients, in which body tissue, fluids and secretions of people or animals are analysed or in which work is carried out on pathogenic germs. Also wherever infectious or potentially infectious objects and substances are disinfected or where animals undergo veterinary examination or treatment, such as hospitals, medical laboratories, doctors' surgeries, therapeutic surgeries, dissecting rooms, specialist surgeries, emergency rescue ambulance vehicles, and operating theatres.

In working areas with increased risk of infection, faucets that can be operated without hand contact must be installed at the wash basins for use by the personnel.

Regulations:

- BVG C8 Health Service (formerly VBG 103 -accident prevention regulation-) dated October 1st, 1982 – updated version –

*= Faucets

GROHE TOUCHLESS FAUCETS OVERVIEW OF GROHE ELECTRONIC FAUCETS WITH INFRARED CONTROL

ALLURE E EXCITING MIX OF STYLES

With its elegant and sophisticated combination of cylinders and cubes, the touchless version of the GROHE Allure range of faucets is guaranteed to be a design highlight in any sanitary facility.

PAGE 254



ESSENCE E PURITY OF FORM

The GROHE Essence E range of faucets is based on a clear design concept that explores the purity of the cylindrical form.

PAGE 258



POWERBOX THE GENUINE ENERGY SAVER FOR SANITARY ROOMS

Electronic fittings capable of operating by producing their own electricity: An economically and ecologically progressive idea that has now become reality with the GROHE power box.

PAGE 264





EUROPLUS E TIMELESS CLASSIC

Used successfully for many years in a wide range of projects, the Europlus E range of faucets with its timeless design has set the standard when it comes to reliable and efficient water flow supplied precisely when it's needed.

PAGE 268



EUROSMART COSMOPOLITAN E THE KEY TO SAVINGS

A purist design vocabulary and a focus on the essential elements are the 'key' to the success of the Eurosmart Cosmopolitan E range of faucets. The keyhole shape creates a smart, elegant design that also provides potential for reducing operating costs. The low-cost entry model is equipped with temperature mixing as standard.

PAGE 274



EUROECO COSMOPOLITAN E SIMPLE ELEGANCE

The Euroeco Cosmopolitan E line of faucets blends in seamlessly while at the same time meeting the demands of heavily frequented sanitary facilities, and the smooth, superbly designed body makes it easier to clean. Euroeco CE offers a wealth of functions at an attractive price. The Euroeco Cosmopolitan E is designed to supply only the amount of cold or pre-mixed water actually needed.

PAGE 280

GROHE
ALLURE E

The Allure E offers the perfect combination of outstanding functionality and excellent design. This range of touchless-controlled faucets adds a touch of class to the sanitary facilities of stylish bars and top-class restaurants. The elegant and sophisticated combination of cylinders and cubes is the epitome of good taste and maximum comfort – not only in restaurants, but in any premises with a strong interior design vocabulary.

- Bold design that combines contrasting forms
- Ideal for projects with demanding design requirements
- Battery service life of up to seven years (150 cycles per day)
- Faucets group I (DIN 4109)

GROHE
EcoJoyGROHE
StarLight®GROHE features:
LongLifeBattery
TouchFree
InvisibleFastening System



Can be installed on the wash basin or on the wall

Available with or without mixing device;
with or without pop-up waste



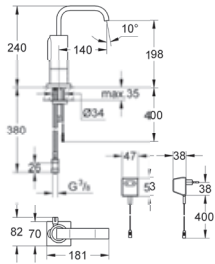
TECHNICAL FEATURES:

Faucets group I (DIN 4109)	Mains (230 V) and lithium battery (6 V)	Individual setting for automatic flushing and thermal disinfection (remote control)	Solenoid valve and battery in the mixer body
Flow pressure min. 0.5 bar/ recommended one to five bar	Battery service life of up to seven years (150 cycles per day)	Safety shut-off after 60 seconds, adjustable between two and 420 seconds	Can be combined with Grotherm Micro
Flow rate 6 l; pressure-independent	High IP protection class for one hole mixers IP 59K	Battery voltage indicator (remote control)	
Hot water stop-valve			
Cleaning mode via clip			

PRODUCT RANGE

- Can be installed on the wash basin or on the wall
- Available with or without mixing device

GROHE ALLURE E

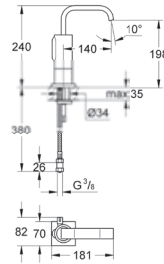


36 095 000

Allure E

1/2"

Infra-red electronic for wash basin,
with mixing device,
transformer 230 V, AC / 12 V, DC
chrome

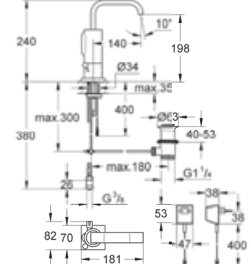


36 098 000

Allure E

1/2"

Infra-red electronic for wash basin,
with mixing device,
battery supply 6 V,
chrome

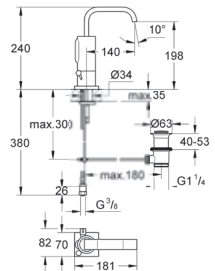


36 097 000

Allure E

1/2"

Infra-red electronic for wash basin,
with mixing device,
transformer 230 V, AC / 12 V, DC
with pop-up waste set,
chrome

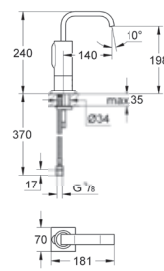


36 234 000

Allure E

1/2"

Infra-red electronic for wash basin,
with mixing device,
battery supply 6 V,
with pop-up waste set,
chrome

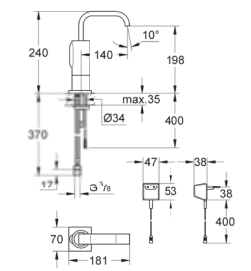


36 099 000

Allure E

1/2"

Infra-red electronic for wash basin,
without mixing device,
battery supply 6 V,
chrome



36 096 000

Allure E

1/2"

Infra-red electronic for wash basin,
without mixing device,
transformer 230 V, AC / 12 V, DC
chrome



GROHE
EcoJoy

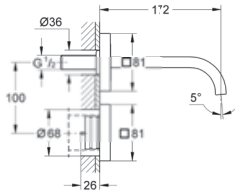


GROHE
StarLight®

GROHE features:
LongLifeBattery
TouchFree
InvisibleFastening System



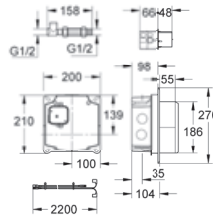
WELL
Water Efficiency Label



36 235 000

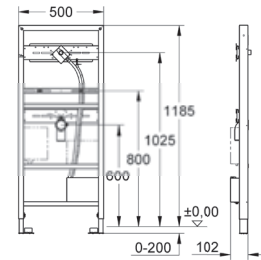
Allure E

Infra-red electronic for wash basin, 1/2", wall-mounted, chrome, set for final installation for Rapid SL 38 748 001 or roughing-in set 36 264 000, transformer 230 V AC, thermal disinfection



36 264 000

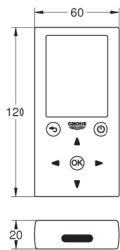
Roughing for infra-red electronic



38 748 001

Rapid SL for wash basin

for wall mounted fittings with roughing-in set for infra-red electronic Europlus E 36 042 SD0, Essence E 36 252 000 and Allure E 36 235 000
1.13 m installation height



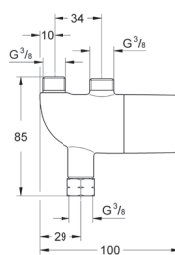
36 407 000

Infra-red remote control

36 206 000 Infra-red remote control

36 221 000 - Extension cable, 3m

36 222 000 - Extension cable, 10 m



34 487 000

Grotherm Micro

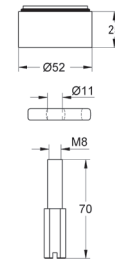
Thermostatic scalding protection temperature adjustment 15-43 °C thermal disinfection without re-adjustment of temperature

GROHE TurboStat® thermoelement

GROHE StarLight® chrome finish

47 533 000

Connection set for fittings with mixer



36 210 000

Socket

for extension off the outlet height suitable for single hole mixers

36 209 000

Hidden mixing device

GROHE ESSENCE E

GROHE PROFESSIONAL
WORK SMARTER



The design vocabulary of the Essence E range of faucets, based on the cylindrical form, is simple, yet sophisticated. Contemporary looks and a high level of comfort combine to form an elegant design, which looks equally at home in public and semi-public areas as in restaurants and even private sanitary facilities.

- Design that concentrates on the purity of the cylindrical form
- Ideal for projects with demanding design requirements (hotels, restaurants etc.)
- Battery service life of up to seven years (150 cycles per day)
- Faucets group I (DIN 4109)



GROHE
EcoJoy



GROHE
StarLight®



GROHE features:
LongLifeBattery
TouchFree
InvisibleFastening System



Can be installed on the wash basin or on the wall

Available with or without mixing device;
with or without pop-up waste



TECHNICAL FEATURES

<p>Faucets group I (DIN 4109)</p>	<p>Mains (230 V) and lithium battery (6 V)</p>	<p>Individual setting for automatic flushing and thermal disinfection (remote control)</p>	<p>Solenoid valve and battery in the mixer body</p>
<p>Flow pressure min. 0.5 bar/recommended one to five bar</p>	<p>Battery service life of up to seven years (150 cycles per day)</p>	<p>Safety shut-off after 60 seconds; adjustable between two and 420 seconds</p>	<p>Can be combined with Grotherm Micro</p>
<p>Flow rate 6 l; pressure-independent</p>	<p>High IP protection class: IP 59K certification</p>	<p>Battery voltage indicator (remote control)</p>	
<p>Hot water stop-valve</p>			
<p>Cleaning mode via clip</p>			

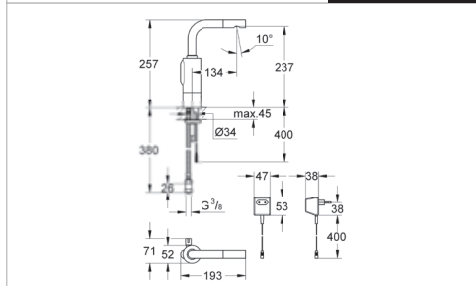
PRODUCT RANGE

- Can be installed on the wash basin or on the wall
- Available with or without mixing device; with or without pop-up waste

GROHE ESSENCE E



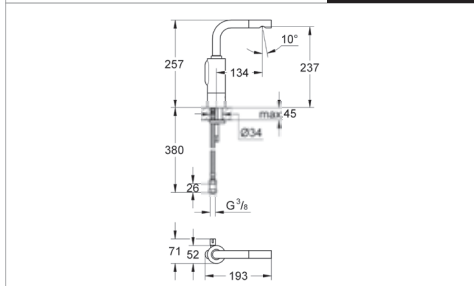
WELL
Water Efficiency Label



36 088 000
Essence E 1/2"
Infra-red electronic for wash basin,
with mixing device,
transformer 230 V, AC / 12 V, DC
chrome



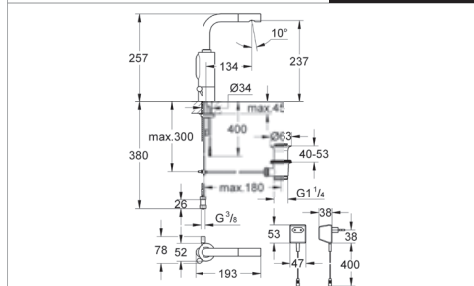
WELL
Water Efficiency Label



36 092 000
Essence E 1/2"
Infra-red electronic for wash basin
with mixing device,
battery supply 6 V,
chrome



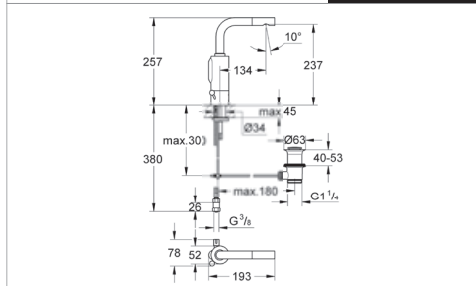
WELL
Water Efficiency Label



36 091 000
Essence E 1/2"
Infra-red electronic for wash basin
with mixing device,
transformer 230 V, AC / 12 V, DC
with pop-up waste set,
chrome



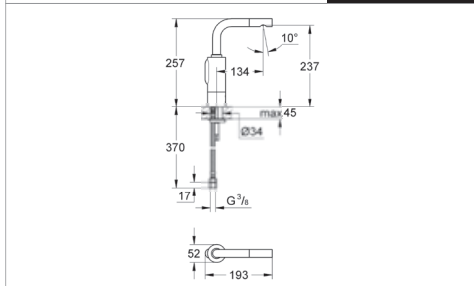
WELL
Water Efficiency Label



36 094 000
Essence E 1/2"
Infra-red electronic for wash basin
with mixing device,
battery supply 6 V
with pop-up waste set,
chrome



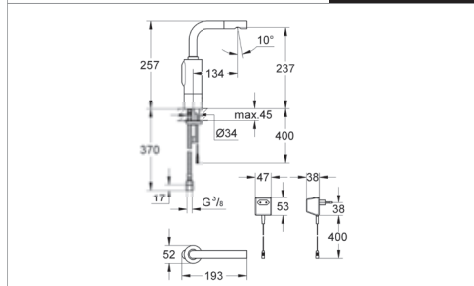
WELL
Water Efficiency Label



36 093 000
Essence E 1/2"
Infra-red electronic for wash basin
without mixing device,
battery supply 6 V
chrome



WELL
Water Efficiency Label



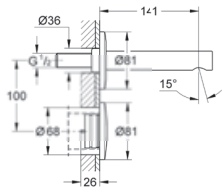
36 089 000
Essence E 1/2"
Infra-red electronic for wash basin
with mixing device,
transformer 230 V, AC / 12 V, DC
chrome



GROHE features:
LongLifeBattery
TouchFree
InvisibleFastening System



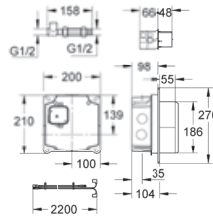
WELL
Water Efficiency Label



36 252 000

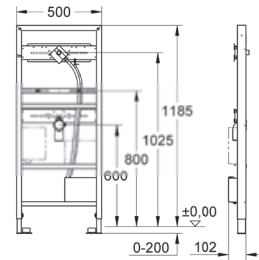
Essence E

Infra-red electronic for wash basin
wall-mounted
set for final installation for Rapid SL 38 748 001
or roughing-in set 36 264 000
Spout 172 mm
transformer 230 V, 50 Hz, 3,2 VA
thermal disinfection
chrome



36 264 000

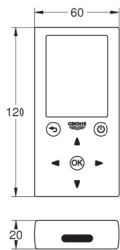
Roughing for infra-red electronic



38 748 001

Rapid SL for wash basin

for wall mounted fittings
with roughing-in set for infra-red electronic
Europlus E 36 042 SD0, Essence E 36 252 000
and Allure E 36 235 000
1.13 m installation height



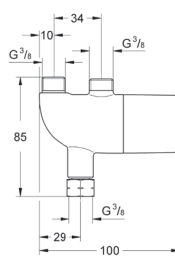
36 407 000

Infra-red remote control

36 206 000 Infra-red remote control

36 221 000 Extension cable, 3m

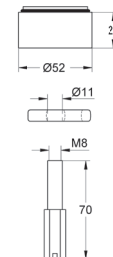
36 222 000 Extension cable, 10m



34 487 000

Grotherm Micro

Thermostatic scalding protection
temperature adjustment 15-43 °C
thermal disinfection without re-adjustment
of temperature
GROHE TurboStat® thermoelement
GROHE StarLight® chrome finish
47 533 000
Connection set for fittings with mixer



36 210 000

Socket
for extension off the outlet height
suitable for single hole mixers

36 209 000

Hidden mixing device

GROHE ELECTRONIC CONTROLS

THE LATEST GENERATION WITH TWO-DIRECTIONAL DATA EXCHANGE.

GROHE Electronic products are equipped with the latest infrared control to allow bidirectional data exchange. These infrared products are not only receiving control commands for monitoring and settings, they also send out usage data and settings.

The fitting automatically “recognises” the presence of the user in the detection area. The detection zone can be adjusted depending on the usage, eg in hospitals, wall fittings can be changed from hand to body detection, to fulfil all requirements.

GROHE Electronic products are sustainable in terms of maintenance and life cycles. Due to their low energy requirements, the batteries have a long service life: up to seven years at 150 cycles per day. Alternatively, all electronic devices also can be powered by a mains connection (230V).

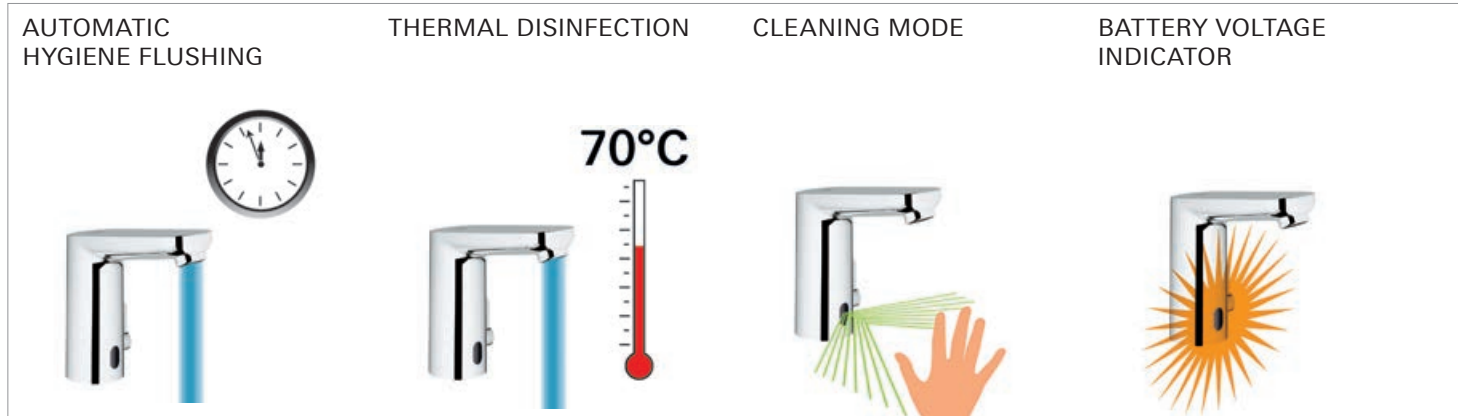
GROHE Electronic products demonstrate their high “intelligence” with seven programmable options, eg for thermal disinfection or for automatic interval flushing with adjustable flush duration and cleaning mode.

The latest generation of GROHE Electronic products have a single infrared window, which is recognised by the “eye” of the infrared control, and which now blinks yellow (red previously).

- Reliable functioning (even in chromium steel basins)
- Reliable detection with a 30-degree wide detection angle
- Unique low-energy electronics
- Seven easily accessible, comprehensive programmes
- Simple adjustments and readout of consumption data through bidirectional data exchange via remote control

Adjustments using sensor system

<p>Seven programmable options with the following content</p> <p>Automatic flushing function (Off, 24 or 72hrs to prevent water stagnation)</p> <p>Automatic flush duration (60, 300 or 600sec)</p> <p>Thermal disinfection (3.5 or 11 min or continuous operation)</p>	<p>Sensor-controlled: stops automatically when a hand approaches</p> <hr/> <p>Cleaning stop (Off or 180sec, easy operation for cleaning personnel)</p> <hr/> <p>Battery voltage indicator: blinking LED light = low battery charge</p> <p>4 levels of charge are displayed: >60%, >40%, >20%, <20%</p>
--	--



NEW REMOTE CONTROL: SMART EQUIPMENT FOR DATA EXCHANGE

The new GROHE remote control is a prerequisite for data exchange with GROHE infrared products installed in washbasins, urinals and WCs. It is not only logical and easy to use, it comes equipped with extra functionality.

Consumption data can be customised using several settings. Running times as well as automatic cleaning and interval flushing are particularly easily activated. Thermal disinfection (with countdown function) is activated by the push of a button as and when required.

This new data exchange technology connected to the new remote control provides maintenance personnel with all necessary product and usage data on the easy-to-read display, allowing for long-term operational efficiencies. Maintenance has been simplified by the easy-to-use controls, and operational costs are easier to determine, and therefore can be reduced on the long term.



Additional adjustments via remote control	Usage data via remote control (Monitoring)
Reading, saving and sending of the product profile (one profile per product type)	Monitoring of consumption and flow-rate data
Automatic flushing function, flexible in 4hr intervals (4-24, 36, 48, 60 or 72hrs)	Total running time or number of flushes
Automatic flush duration in 30sec intervals (30-600 sec)	Number of days in the function
Thermal disinfection in 1min intervals (2-20min)	Number of cycles of the solenoid valve
Activation of thermal disinfection by the simple push of a button	Reset solenoid valve counter for service measures
Cleaning stop with three different time settings (180, 320, 560 sec)	Number of pre-flushes and cleaning flushes
Total run time of water flow per activation (6-420 sec)	Number of power drops
Run-on time after leaving the detection zone is individually adjustable in 1sec intervals (0-19sec)	Software version, serial number and production date of the infrared product

GROHE POWERBOX

GROHE PROFESSIONAL
WORK SMARTER



The genuine energy saver for sanitary rooms

Electronic fittings capable of operating by producing their own electricity: An economically and ecologically progressive idea that has now become reality with the GROHE power box. Infrared controlled fittings, for example in airports, public sanitary rooms or leisure facilities, can now operate autonomously, without depending on power supplies. The power box combines optimum hygiene via touch-free controls with minimum energy consumption for electronics.

This is how it works: A turbine in the power box is driven by the water supply each time the fitting is operated. This converts kinetic energy into electrical energy and stores it to operate the infrared electronics. Using the generator for as little as 60 seconds delivers enough electricity to power the fitting for 24 hours.

- New standards regarding sustainability and protection of resources through energy conservation
- High efficiency and autonomy: especially in sanitary rooms where establishing a power supply is difficult or rather prone to disruptions
- Exceptional ease of servicing the power box with a service life of 10 years: a reduction in maintenance and lower operating costs
- Perfect support for demand driven and hygienically recommended water delivery with touch-free controls
- Unique storage technology: Efficient energy storage



GROHE
EcoJoy



New functionality in three designs

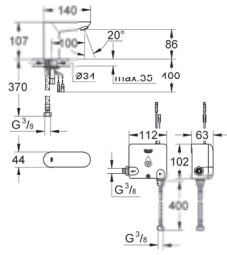
The power box can be combined with three different wash basin fittings: Europlus E and Eurosmart Cosmopolitan E models with integrated temperature-mixing can be powered via the power box. The Euroeco Cosmopolitan E for cold or premixed water can additionally be fitted with a Grohtherm Micro for thermostatic safety.

TECHNICAL FEATURES:

<p>Flow pressure min. 0.5 bar/ recommended 1.5 bar</p>	<p>Independent power supply for infrared wash basin fittings in rooms with heavy traffic - no battery or power connection required</p>	<p>Integrated storage unit for initial release and activation after a longer period of inactivity</p>	<p>Protection class: IP 44 Simple installation with flexible hose connectors for the water supply</p>
<p>Faucets group I (DIN 4109)</p>	<p>Generates its own power from the water flow for operating the electronics</p>	<p>A 60 second water flow is sufficient for 24 operating hours, a 260 second water flow is sufficient for 100 operating hours</p>	<p>Can be combined with Grohtherm Micro</p>
<p>Flow rate 6 l/Min.; pressure-independent</p>			
<p>Cleaning stop function via the fitting's IR sensor</p>			

<p>PRODUCT RANGE</p> <p>Powerbox is combined with:</p> <ul style="list-style-type: none"> • Euroeco Cosmopolitan E • Eurosmart Cosmopolitan E • Europlus E
--

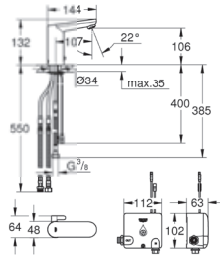
GROHE POWERBOX



36 384 000

**Powerbox
with Euroeco Cosmopolitan E**

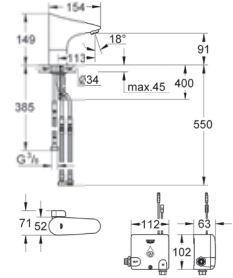
Powerbox with internal energy storage
without mixing device
CE approved



36 386 001

**Powerbox
with Eurosmart Cosmopolitan E**

Powerbox with internal energy storage
with mixing device
CE approved



36 387 000

**Powerbox
with Europlus E**

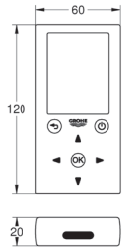
Powerbox with internal energy storage
with mixing device
CE approved



GROHE
EcoJoy



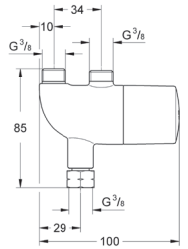
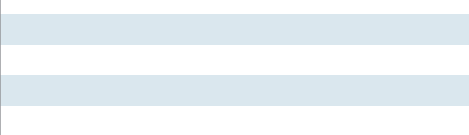
GROHE
StarLight®



36 407 000

Infra-red remote control

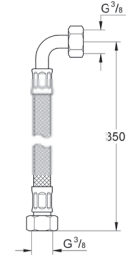
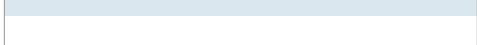
36 206 000 Infra-red remote control



34 487 000

Grotherm Micro

Thermostatic scalding protection
 temperature adjustment 15-43 °C
 thermal disinfection without re-adjustment
 of temperature
 GROHE TurboStat® thermoelement
 GROHE StarLight® chrome finish



45 704 000

For combination

Flexible hose
 300 mm
 3/8" x 3/8"



GROHE EUROPLUS E



The Europlus E from GROHE is based on a timeless design that has made it a classic in public sanitary facilities all over the world. Owners and operators of airports, sports facilities and restaurants value this efficient and diverse application of reliable technology that has proven itself over many years. In hospitals and clinics.

- Classic design based on proven technology
- Easy-to-clean body
- Versatile for use in hotels and restaurants, leisure and sports facilities, hospitals and clinics, schools
- Battery service life of up to seven years (150 cycles per day)
- Faucets group I (DIN 4109)
- With 7 preset programs
- Automatic battery/mains detection



GROHE
EcoJoy



GROHE
StarLight®

GROHE features:
LongLifeBattery
TouchFree
InvisibleFastening System



Mixing device



Hidden mixing device



Thermostat



Hidden rotation lock



Splash water protected

TECHNICAL FEATURES

Faucets group I
(DIN 4109)

Flow pressure min.
0.5 bar/recommended
one to five bar

Flow rate 5.7 l,
pressure-independent

Hot water stop-valve

Cleaning mode via sensor

Plug and play: easy to
switch between lithium
battery (6 V) and mains
supply (230 V)

Battery service life
of up to seven years
(150 cycles per day)

High IP protection class
for one hole mixers IP 59K

Battery voltage indicator
through sensor

Individual setting for
automatic flushing and
thermal disinfection

Protection against
scalding with sensor-
monitored thermal
disinfection: stops
automatically when
a hand approaches

Safety shut-off after
60 seconds, adjustable
between two and
420 seconds

Programme selection
(seven programmes),
manual or remote control

Battery compartment in
non-visible area below
the wash basin for ease
of maintenance

Can be combined
with Grohtherm Micro

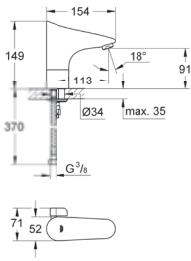
Vandalism-protected
rotation lock
(can be retrofitted)

Solenoid valve and
battery in the mixer body

PRODUCT RANGE

- Can be installed on the wash basin or on the wall
- Available with or without mixing device; with or without pop-up waste
- Thermostatic protection optional for wall faucets

GROHE EUROPLUS E

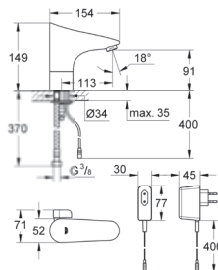


36 207 001

Europlus E

1/2"

Infra-red electronic for wash basin
with mixing device,
battery powered
thermal disinfection

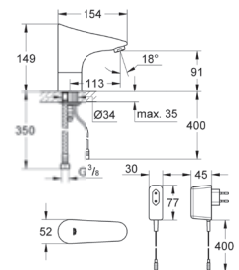


36 015 001

Europlus E

1/2"

Infra-red electronic for wash basin
with mixing device,
with 210-230 V power supply unit, 50 Hz, 3.2 VA,
thermal disinfection

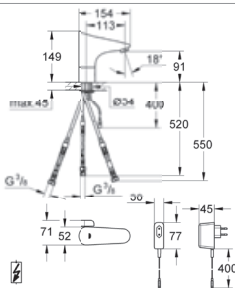


36 016 001

Europlus E

1/2"

Infra-red electronic for wash basin
without mixing device,
with 210-230 V power supply unit, 50 Hz, 3.2 VA,
thermal disinfection

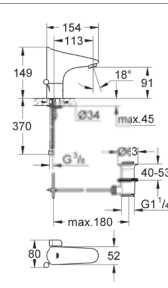


34 197 001

Europlus E

1/2"

Infra-red electronic for wash basin
with mixing device,
with 210-230 V power supply unit, 50 Hz, 3.2 VA,
thermal disinfection
for open water heater

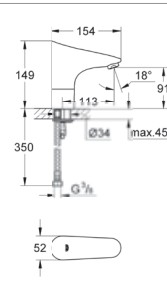


36 236 001

Europlus E

1/2"

Infra-red electronic for wash basin
with mixing device,
battery powered
thermal disinfection
with pop-up waste set, 1 1/4"



36 208 001

Europlus E

1/2"

Infra-red electronic for wash basin
without mixing device,
battery powered
thermal disinfection

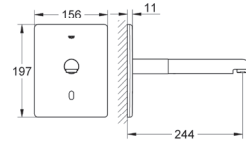
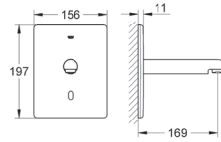
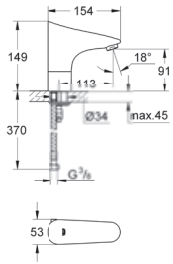


GROHE
EcoJoy



GROHE
StarLight®

GROHE features:
LongLifeBattery
TouchFree
InvisibleFastening System



36 232 001

Europlus E

1/2"

Infra-red electronic for wash basin
with hidden mixing device,
battery powered
thermal disinfection

36 243 SD1

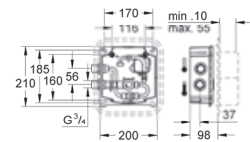
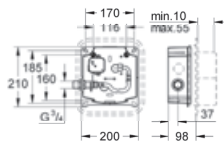
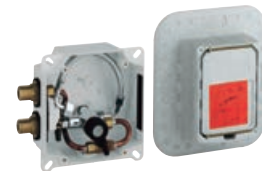
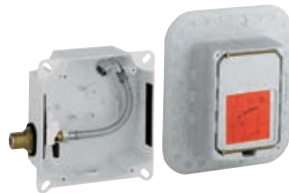
Europlus E

Infra-red electronic for wash basin,
with pre-set thermostatic mixer unit (36 009 000),
wall plate and handle set,
170 mm spout,
210-230 V AC,
thermal disinfection

36 242 SD1

Europlus E

Infra-red electronic for wash basin,
without mixing device,
concealed box (36 241 000),
wall plate and handle set,
170 mm spout,
230 V AC,
thermal disinfection



36 241 000

Europlus E

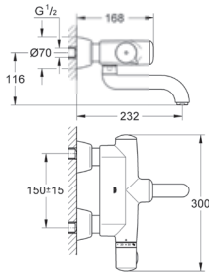
Concealed mounting box 1/2"
for installation with pre-mixed or cold water

36 009 000

Europlus E

Concealed mounting box
Infra-red electronic basin mixer
with integrated pre-adjustable
thermostatic mixer

GROHE EUROPLUS E

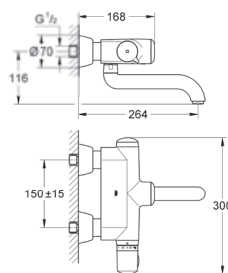


36 240 001

Europlus E

1/2"

Infra-red electronic for wash basin
with thermostat, 1/2"
wall-mounted
GROHE CoolTouch® housing
swivel spout
projection 232 mm
battery powered
thermal disinfection

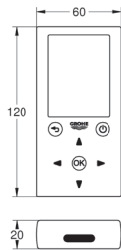


36 239 001

Europlus E

1/2"

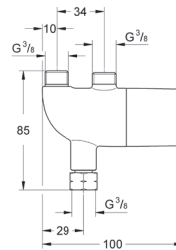
Infra-red electronic for wash basin
with thermostat, 1/2"
wall-mounted
GROHE CoolTouch® housing
swivel spout
projection 264 mm
battery powered
thermal disinfection



36 407 000

Infra-red remote control

36 206 000 Infra-red remote control



34 487 000

Grohtherm Micro

Thermostatic scalding protection
temperature adjustment 15-43 °C
thermal disinfection without re-adjustment
of temperature
GROHE TurboStat® thermoelement
GROHE StarLight® chrome finish

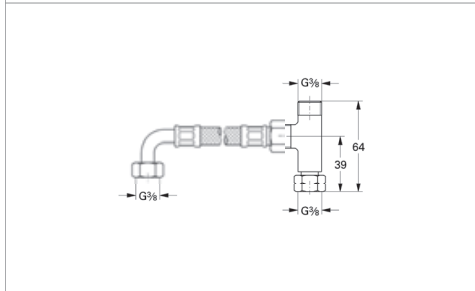


GROHE
EcoJoy



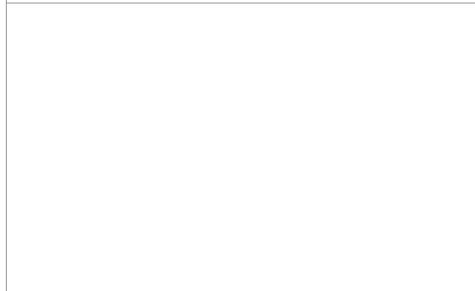
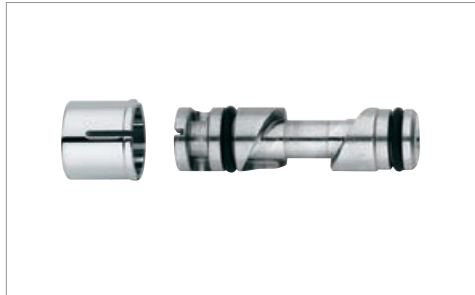
GROHE
StarLight®

GROHE features:
LongLifeBattery
TouchFree
InvisibleFastening System



47 533 000

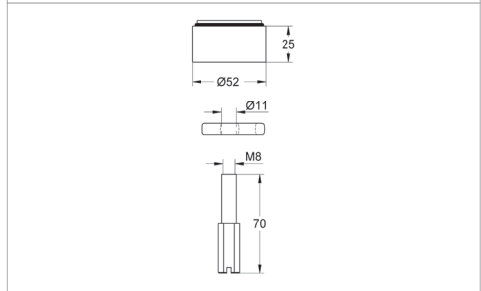
Connection set for fittings with mixer



36 209 000

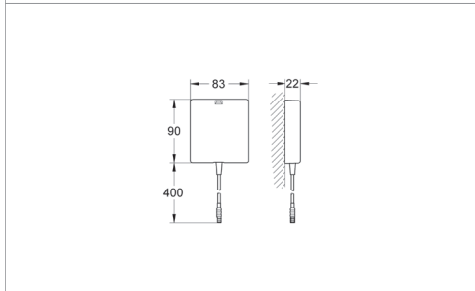
Europlus E

Hidden mixing device



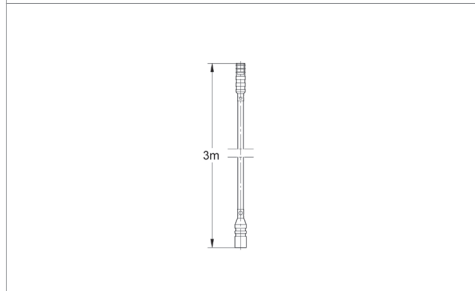
36 210 000

Socket
for extension off the outlet height
suitable for single hole mixers



36 338 000

Switch-mode power supply with operating
voltage 100 - 230 V AC, 50 - 60 Hz
for concealed socket with cover and strain relief

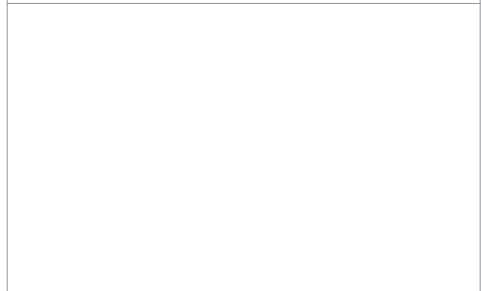


36 340 000

Extension cable
3 m

36 341 000

Extension cable
10 m



36 133 000

Mousseur

GROHE EUROSMART COSMOPOLITAN E



The latest version of the Eurosmart Cosmopolitan E offers high comfort for the user and low cleaning effort for operators of public or commercially used washrooms. Water flow is activated automatically by infrared detection for optimum hygiene.

The spout of the electronically controlled fitting is designed at a seven-degree angle. This creates extra space below the flow control for washing hands and increases user comfort. Furthermore, the angle ensures that stagnant water can flow off the spout faster, leaving less calcium residue behind. This further minimises the cleaning effort for the already easy-to-clean Eurosmart CE series.

- Spout raised by seven degrees (according to GROHE Design-DNA)
- The body is designed for easy cleaning
- Can be used nearly anywhere
- Battery service life of seven years (150 cycles per day)
- Automatic battery/mains recognition
- Faucet group I (DIN 4109)



GROHE
EcoJoy



GROHE
StarLight®



GROHE
CoolTouch®

GROHE features:
LongLifeBattery
SmartFix
TouchFree



For an easy exchange of the battery in the thermostat (battery within handle)



Temperature adjustment



Battery compartment installed in non-visible area with a watertight housing



For an easy battery connection

SPECIAL FITTINGS

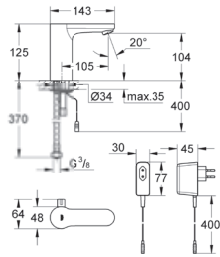
TECHNICAL FEATURES

<p>Faucet group I (DIN 4109)</p> <hr/> <p>Flow pressure min. 0.5 bar / recommended 1-5 bar</p> <hr/> <p>Flow rate 5.7l pressure-independent (one hole washbasin pillar fitting)</p> <hr/> <p>Mixing valve</p> <hr/> <p>Cleaning stop via sensor</p> <hr/> <p>Plug&Play: Easy switch between lithium battery (6V) and mains supply 230V)</p>	<p>Battery service life of seven years (150 cycles per day)</p> <hr/> <p>High IP protection class (IP 59K)</p> <hr/> <p>Battery voltage indicator through sensor</p> <hr/> <p>Individual setting for automatic flushing and thermal disinfection (Start via remote control or sensor)</p>	<p>Protection against scalding with sensor-monitored stop of thermal disinfection</p> <hr/> <p>Safety shut-off after 60sec, adjustable between 2 and 420sec.</p> <hr/> <p>Programme selection (seven programmes) manual</p> <hr/> <p>Battery compartment in non-visible area below the washbasin for ease of maintenance</p>	<p>Can be combined with Grotherm Micro</p> <hr/> <p>Vandalism-protected rotation lock, can be retrofitted</p>
---	---	--	---

PRODUCT RANGE

- Can be installed on the wash basin or on the wall
- Available with or without mixing device; with or without pop-up waste
- Thermostatic protection optional for wall faucets

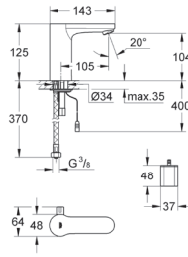
GROHE EUROSMART COSMOPOLITAN E



36 325 001

Eurosmart Cosmopolitan E 1/2"

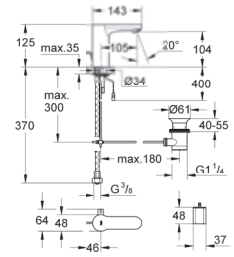
Infra-red electronic basin mixer
with mixing device
with 210-230 V power supply unit, 50 Hz, 3.2 VA
type of protection faucet IP 59K



36 327 001

Eurosmart Cosmopolitan E 1/2"

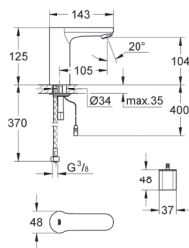
Infra-red electronic basin mixer
with mixing device
Lithium battery supply 6 V
external battery
type of protection faucet IP 59K



36 331 001

Eurosmart Cosmopolitan E 1/2"

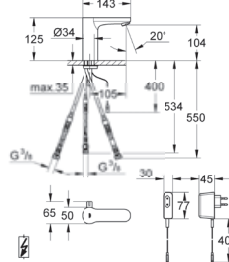
Infra-red electronic basin mixer
with mixing device
pop-up waste set 1 1/4"
Lithium battery supply 6 V
external battery
type of protection faucet IP 59K



36 330 001

Eurosmart Cosmopolitan E 1/2"

Infra-red electronic basin mixer
with hidden mixing device
Lithium battery supply 6 V
external battery
type of protection faucet IP 59K



36 324 001

Eurosmart Cosmopolitan E 1/2"

Infra-red electronic for wash basin
with mixing device
with 210-230 V power supply unit, 50 Hz, 3.2 VA
type of protection faucet IP 59K
for open water heater

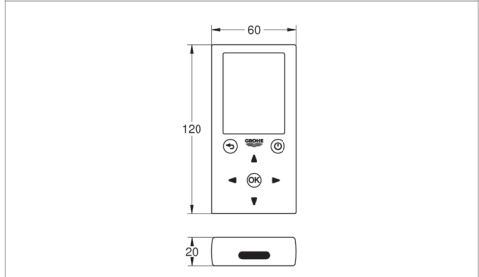
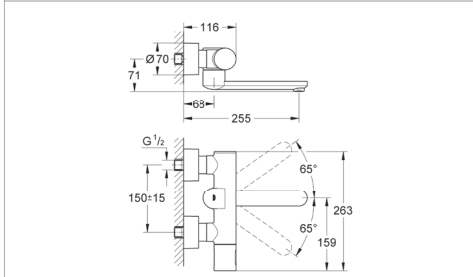
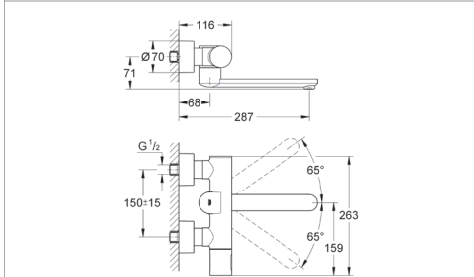


GROHE
EcoJoy



GROHE
StarLight®

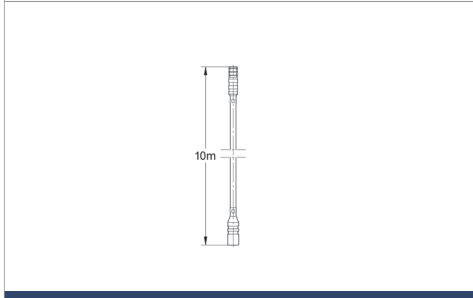
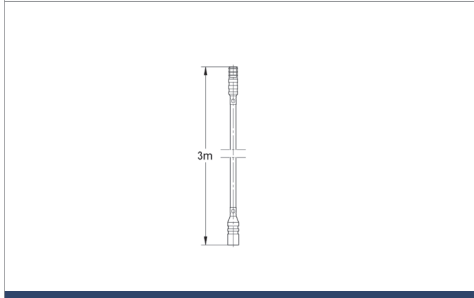
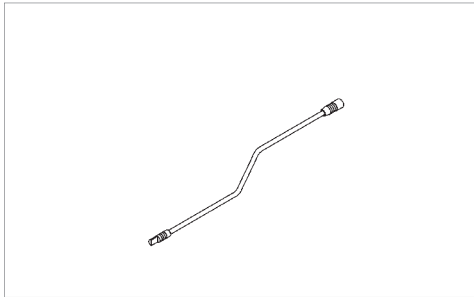
GROHE features:
LongLifeBattery
SmartFix
TouchFree



36 332 000
Eurosmart Cosmopolitan E | 1/2"
 Infra-red electronic wash basin thermostat, 1/2"
 swivel cast spout projection 287 mm
 battery supply 6 V

36 333 000
Eurosmart Cosmopolitan E | 1/2"
 Infra-red electronic wash basin thermostat, 1/2"
 swivel cast spout projection 255 mm
 battery supply 6 V

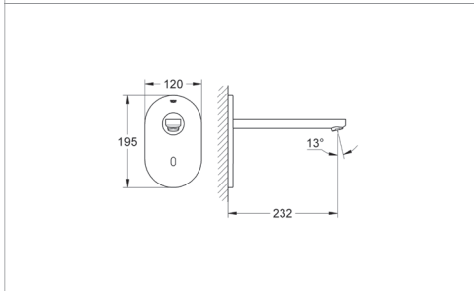
36 407 000
 Infra-red remote control
36 206 000 Infra-red remote control



36 340 000
 Extension cable
 3 m

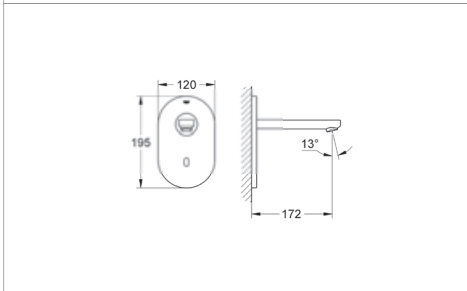
36 341 000
 Extension cable
 10 m

GROHE EUROSMART COSMOPOLITAN E



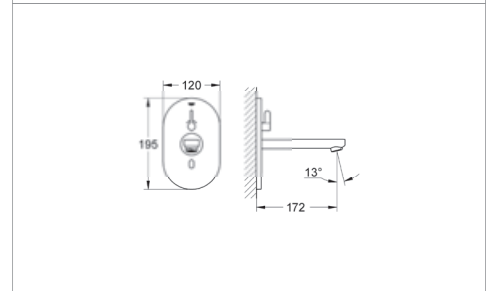
36 334 SD0
Eurosmart Cosmopolitan E

Infra-red electronic basin tap
for cold or premixed water
set for final installation
transformer 230 V AC
stainless steel escutcheon
stainless steel spout 232 mm



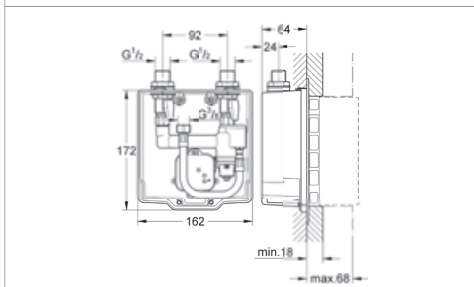
36 335 SD0
Eurosmart Cosmopolitan E

Infra-red electronic basin tap
for cold or premixed water
set for final installation
transformer 230 V AC
stainless steel escutcheon
stainless steel spout 170 mm



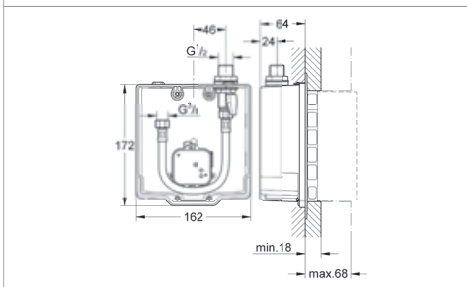
36 315 000
Eurosmart Cosmopolitan E

Infra-red electronic basin tap
for cold or premixed water
set for final installation
transformer 230 V AC
chrom escutcheon
Chrom Spout 172 mm
36 376 000
Chrom spout 230 mm



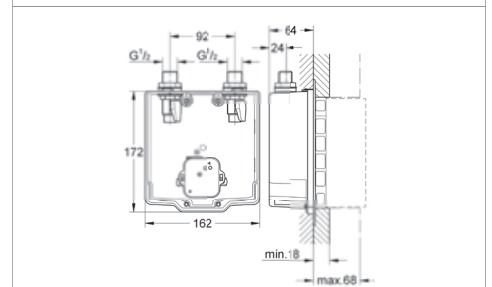
36 336 000
Eurosmart Cosmopolitan E

Concealed mounting box with
integrated pre-adjustable thermostatic mixer
suitable for IR-sets for final installation
2 stop valves



36 337 000
Eurosmart Cosmopolitan E

Concealed mounting box
for cold or premixed water
suitable for IR-sets for final installation
stop valve
connection housing for power supply



36 339 000
Eurosmart Cosmopolitan E

Concealed mounting box with mixture
wall installation
suitable for IR-sets for final installation
2 stop valves
connection housing for power supply

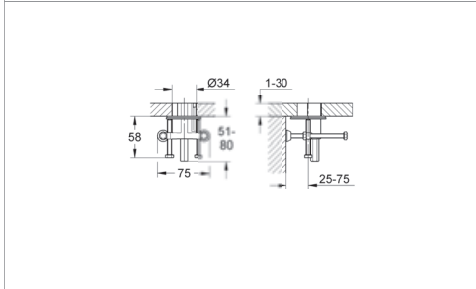


GROHE
EcoJoy



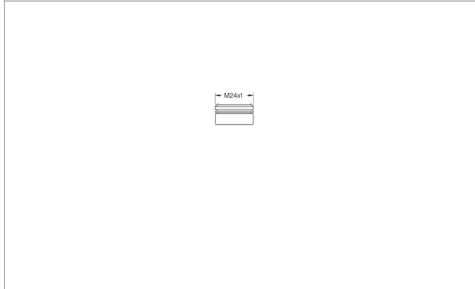
GROHE
StarLight®

GROHE features:
LongLifeBattery
SmartFix
TouchFree



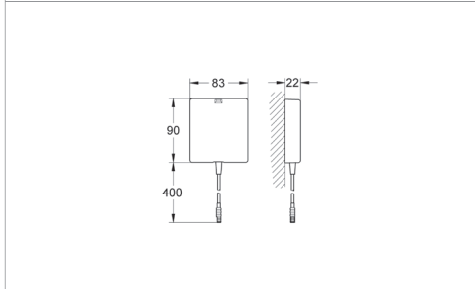
36 276 000

Rotation lock
vandalism hampering fixing device



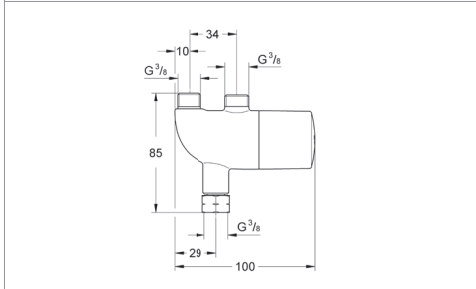
36 133 000

Mousseur
theft proof with key



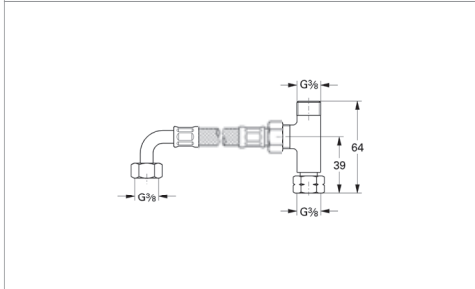
36 338 000

Switch-mode power supply with operating
voltage 100 - 230 V AC, 50 - 60 Hz
for concealed socket with cover and strain relief



34 487 000

Grohtherm Micro
Thermostatic scalding protection
temperature adjustment 15-43 °C
thermal disinfection without re-adjustment
of temperature
GROHE TurboStat® thermoelement
GROHE StarLight® chrome finish



47 533 000

Connection set for fittings with mixer

GROHE EUROECO COSMOPOLITAN E

GROHE PROFESSIONAL
WORK SMARTER



The economical Euroeco Cosmopolitan E offers striking good looks at an attractive price. It has been designed to supply cold or pre-mixed water only when it's actually needed. The design is visually dominated by the distinctive lozenge shape – which can even be seen in the IR sensor and is typical of the Cosmopolitan range of faucets from GROHE. Its simple elegance is enhanced by the seamless body, which makes it easier to clean.

- Highly cost-effective thanks to minimal investment and permanently low operating costs
- Can supply cold or pre-mixed water
- Thermostatic protection optional for wall faucets
- Automatic battery / mains detection



GROHE
EcoJoy



GROHE
StarLight®

GROHE features:
LongLifeBattery
SmartFix



Battery and solenoid valve installed below the wash basin for ease of maintenance



Battery housing is watertight



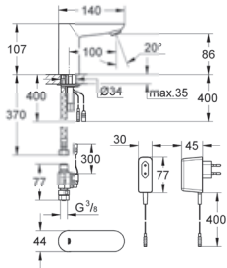
With an easy battery connection

TECHNICAL FEATURES

<p>Faucets group I (DIN 4109)</p> <hr/> <p>Flow pressure min. 0.5 bar/recommended one to five bar</p> <hr/> <p>Flow rate 5.7 l, pressure-independent</p> <hr/> <p>Hot water stop-valve</p> <hr/> <p>Cleaning mode via sensor</p>	<p>Plug and play: easy to switch between lithium battery (6 V) and mains supply (230 V)</p> <hr/> <p>Battery service life of seven years (150 cycles per day)</p> <hr/> <p>High IP protection class for one hole mixers IP 59K</p> <hr/> <p>Battery voltage indicator through sensor</p>	<p>Individual setting for automatic flushing and thermal disinfection</p> <hr/> <p>Protection against scalding with sensor-monitored thermal disinfection: stops automatically when a hand approaches</p> <hr/> <p>Safety shut-off after 60 seconds, adjustable between two and 420 seconds</p> <hr/> <p>Programme selection (seven programmes), manual or remote control</p>	<p>Battery compartment in non-visible area below the wash basin for ease of maintenance</p> <hr/> <p>Can be combined with Grohtherm Micro</p> <hr/> <p>Vandalism-protected rotation lock (can be retrofitted)</p>
--	--	---	---

<p>PRODUCT RANGE</p> <ul style="list-style-type: none"> • Can be installed on the wash basin or on the wall • Can supply cold or pre-mixed water • Thermostatic protection optional for wall faucets
--

GROHE EUROECO COSMOPOLITAN E

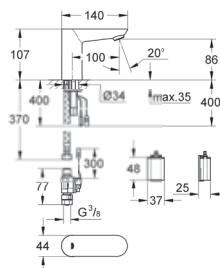


36 269 000

Euroeco Cosmopolitan E

1/2"

Infra-red electronic basin tap 1/2"
with 210-230 V power supply unit, 50 Hz, 3.2 VA
external solenoid valve
type of protection faucet IP 59K

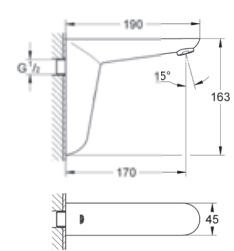


36 271 000

Euroeco Cosmopolitan E

1/2"

Infra-red electronic basin tap 1/2"
battery supply 6 V lithium-battery
external solenoid valve and battery
type of protection faucet IP 59K

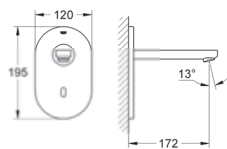


36 274 000

Euroeco Cosmopolitan E

1/2"

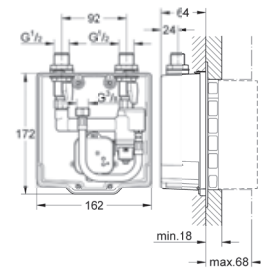
Infra-red electronic basin tap
for cold or premixed water
wall mounted
battery supply 6 V lithium-battery
1/2" wall mounting housing
with solenoid adaptor
metal body



36 273 000

Euroeco Cosmopolitan E

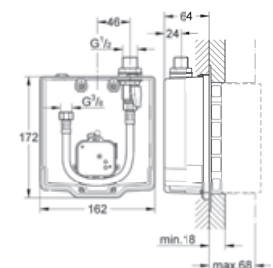
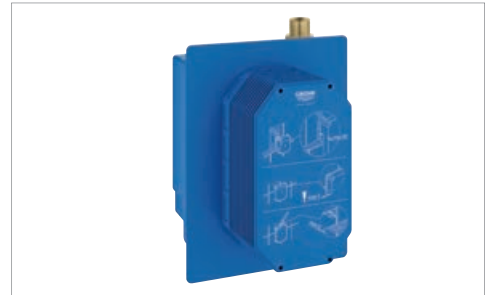
Infra-red electronic basin tap
for cold or premixed water
set for final installation for concealed fitting box
with 210-230 V power supply unit, 50 Hz, 3.2 VA
chrome escutcheon
chrome spout 173 mm



36 336 000

Euroeco Cosmopolitan E

Concealed mounting box with
integrated pre-adjustable thermostatic mixer
suitable for IR-sets for final installation
2 stop valves



36 337 000

Euroeco Cosmopolitan E

Concealed mounting box
for cold or premixed water
suitable for IR-sets for final installation
stop valve

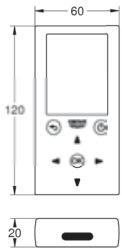


GROHE
EcoJoy



GROHE
StarLight®

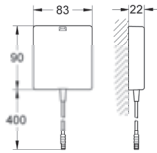
GROHE features:
LongLifeBattery
SmartFix



36 407 000

Infra-red remote control

36 206 000 Infra-red remote control



36 338 000

Euroeco Cosmopolitan E

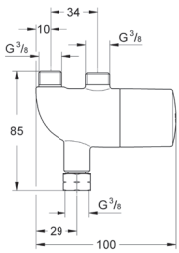
Switch-mode power supply with operating voltage 100 - 230 V AC, 50 - 60 Hz for concealed socket with cover and strain relief



36 340 000

Extension cable 3 m

36 341 000 Extension cable 10 m



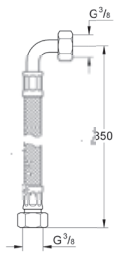
34 487 000

Grotherm Micro

Thermostatic scalding protection temperature adjustment 15-43 °C thermal disinfection without re-adjustment of temperature

GROHE TurboStat® thermoelement

GROHE StarLight® chrome finish

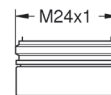


45 704 000

Flexible hose

300 mm

3/8" x 3/8



36 133 000

Mousseur theft proof with key



GROHE PROFESSIONAL
WORK SMARTER

GROHE SELF-CLOSING FAUCETS

ECONOMICAL, CLEAN AND SAFE

Releasing the water flow at the touch of a button and then stopping it again automatically is the main function of self-closing faucets, which can often be found in schools, sports facilities, motorway service areas and other transport facilities, as well as in industrial and commercial premises. Their intuitive operation makes them ideal for heavily frequented public and semi-public sanitary facilities. Thanks to robust technology, they are durable and vandalism-protected and only dispense water when needed, making them extremely economical to use in the long run.

- ErgoTouch: easy actuation thanks to ergonomic design
- GROHE EcoJoy: supplies water only when needed – economical and resourcesaving
- GROHE StarLight®: highly resistant surface finishes
- Vandalism-protected devices
- Extensive range also for special applications
- Easy to clean and maintain



GROHE
EcoJoy



GROHE
StarLight®

GROHE features:
ErgoTouch
LongLifeBattery
InvisibleFastening System

GROHE SELF-CLOSING FAUCETS AT A GLANCE

EURODISC SE UNIQUE VERSATILITY

The Eurodisc SE self-closing faucet offers electronic running time control with comfort programmes. With so many variants to choose from – including thermostatic protection – the range of possible applications is virtually unlimited. One of the key benefits of Eurodisc SE for professional use is its simplified thermal disinfection function.

PAGE 288

EUROSMART COSMOPOLITAN T SMART DESIGN

The Eurosmart Cosmopolitan T, with its distinctive keyhole shape, was designed to meet the exact requirements of architectural solutions. The smart design combines a slimline form with reliable technology. The entry model is equipped with temperature mixing as standard.

PAGE 294





EUROECO COSMOPOLITAN T ECONOMICAL ALL ROUND

The Euroeco Cosmopolitan T offers impressive features at an extremely attractive price. The conical body houses reliable technology to supply cold or pre-mixed water.

PAGE 298

GROHE EURODISC SE

GROHE PROFESSIONAL
WORK SMARTER



With superior technology for advanced performance and simplified thermal disinfection for maximum hygiene, the Eurodisc SE self-closing faucets and thermostatic shower mixers offer safety and comfort for all users. Durable technology that withstands even frequent use is combined with intelligent technology in the Eurodisc SE. Object-specific programmes for thermal disinfection and hygiene flushing can be retrieved easily. The Eurodisc SE is very economical in daily operation, thanks to the economy stop function. The water flow can thus be stopped before the preset time has elapsed by repeated actuation of the knob.

- Electronically supported thermal disinfection and running time setting
- Automatic flushing after three days (of non-use)
- Ideal for the health sector, sports facilities, swimming pools etc.
- Faucets group I (DIN 4109)
- Economy stop function (manual stop before the end of the set running time)
- Vandalism-protected devices



GROHE
EcoJoy



GROHE
StarLight®



GROHE
CoolTouch®

GROHE features:
ErgoTouch
LongLifeBattery
InvisibleFastening System



Metal handle accessory with 'loose key and shield'



Adjust end stop to desired temperature



Rotation lock



Battery change (pulsating water jet)

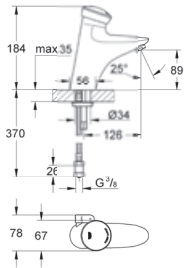
TECHNICAL FEATURES

<p>Recommended flow pressure one to five bar (minimum: 0.5 bar)</p>	<p>Simplified thermal disinfection (3.5 or 11 minutes)</p>	<p>Battery service life of up to ten years (150 cycles per day)</p>	<p>High IP protection class: IP 59K certification</p>
<p>Flow rate of wash basin faucets 5.7 l/min</p>	<p>Automatic flushing for five minutes in three-day intervals in the event of non-use</p>	<p>Pulsating water jet indicates battery change required</p>	<p>Vandalism-protected rotation and mousseur lock</p>
<p>Temperature selection handle with safety stop between 35 °C and 45 °C (THM only)</p>	<p>Running time: two to 60 seconds (default 15 seconds)</p>	<p>Lithium battery 6V</p>	<p>Metal handle with loose key and shield optional</p>
<p>Hot water stop-valve</p>	<p>Individual settings without any tools by means of tip codes</p>		
<p>Faucets group I (DIN 4109)</p>	<p>Safety shut-off after 60</p>		

PRODUCT RANGE

- Wide range of equipment versions for wash basins and surface-mounted/concealed shower systems
- Integrated thermostatic protection for the shower; with or without mixing device; with or without pop-up waste
- Suitable for pressurised storage heaters and instantaneous heaters

GROHE EURODISC SE



36 233 000

Eurodisc SE

1/2"

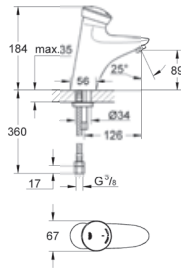
Self-closing basin mixer

with mixer, 1/2"

electronic run-time control

battery powered

thermal disinfection



36 249 000

Eurodisc SE

1/2"

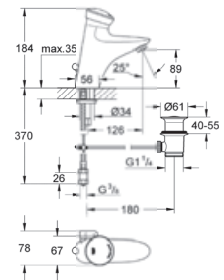
Self-closing basin mixer

for cold water, 1/2"

electronic run-time control

battery powered

thermal disinfection



36 251 000

Eurodisc SE

1/2"

Self-closing basin mixer

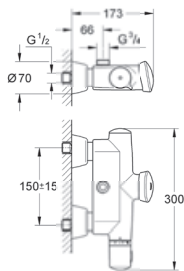
with mixer, 1/2"

electronic run-time control

battery powered

pop-up waste set 1 1/4"

thermal disinfection



36 244 000

Eurodisc SE

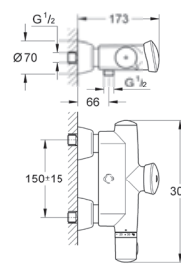
Self-closing shower thermostat, 1/2"

wall-mounted

electronic run-time control

GROHE CoolTouch® housing

top outlet 3/4"



36 245 000

Eurodisc SE

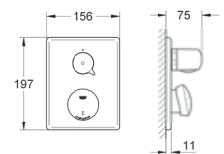
Self-closing shower thermostat, 1/2"

wall-mounted

electronic run-time control

GROHE CoolTouch® housing

bottom outlet 1/2"



36 247 000 + 36 014 000

Eurodisc SE

Self-closing shower thermostat, 1/2"

concealed box 1/2"

with integrated installation box (36 014 000)

wall plate and handle set (36 247 000)

electronic run-time control

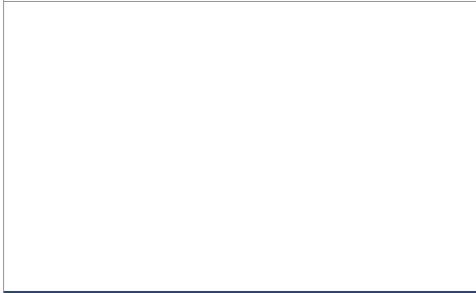
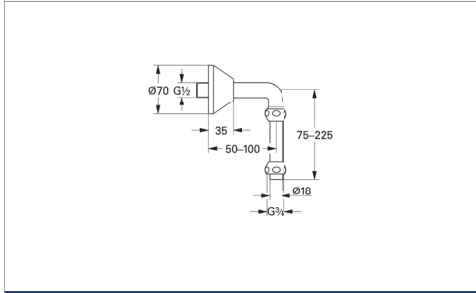


GROHE
EcoJoy



GROHE
StarLight®

GROHE features:
ErgoTouch
LongLifeBattery
InvisibleFastening System

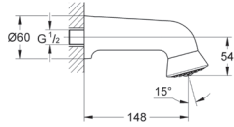


12 407 000
Eurodisc SE
Outlet elbow, 1/2"
for connecting pipe Ø 18 mm

47 763 000
Metal handle temperature control
vandalism hampering
individual fixing of a temperature

GROHE EURODISC SE

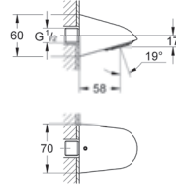
GROHE PROFESSIONAL
WORK SMARTER



28 948 000

Relexa Plus 60

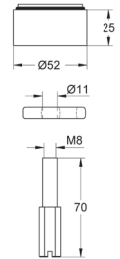
Sports head shower, 1/2"
projection 148 mm
connection thread 1/2"
heavy casted model
theft proof



28 002 000

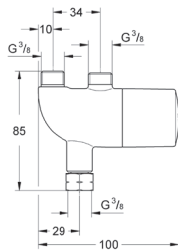
Relexa 70

Sports head shower, 1/2"
low aerosol emission
projection 58 mm
connection thread 1/2"
heavy casted model
theft proof
suicide-resisting design



36 210 000

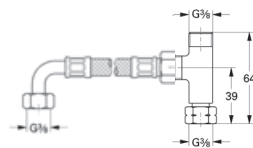
Socket
for extension off the outlet height
suitable for single hole mixers



34 487 000

Grohtherm Micro

Thermostatic scalding protection
temperature adjustment 15-43 °C
thermal disinfection without re-adjustment
of temperature
GROHE TurboStat® thermoelement
GROHE StarLight® chrome finish



47 533 000

Connection set for fittings with mixer



36 209 000

Hidden mixing device



GROHE
EcoJoy



GROHE
StarLight®

GROHE features:
ErgoTouch
LongLifeBattery
InvisibleFastening System

GROHE EUROSMART COSMOPOLITAN T



The Eurosmart Cosmopolitan T, with its distinctive keyhole shape and smart design, is the perfect addition to sanitary facilities with more demanding architectural requirements. Discreet dimensions, a slimline body and fluid transition to the spout make this self-closing faucet a particularly economical alternative to single-lever mixers. The water flow stops automatically after the preset time has elapsed. The solution is also extremely hygienic, as there is no need to touch the faucet again to stop the flow after washing the hands.

- Attractive looks with keyhole shape for demanding architectural requirements
- Reliable technology with high degree of continued-use suitability
- Easy-to-clean design, seamless transition from body to spout
- Perfect for all wash basin and shower applications in public sanitary facilities



GROHE
EcoJoy



GROHE
StarLight®



GROHE
CoolTouch®

GROHE features:
SmartFix
ErgoTouch



EINFACHE LAUFZEITEINSTELLUNG:

1. Disassemble cartridge
2. Three Running times



TEMPERATURE ADJUSTMENT
The water temperature can easily be adjusted via the side lever



SWIVEL SPOUT

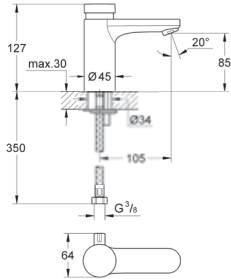
SPECIAL FITTINGS

TECHNICAL FEATURES

Recommended flow pressure: one to five bar	Low-wear stainless-steel mixing device
3 Running times short - long short (factory setting) set times approx 7, 15 or 30 sec (pressure dependable)	Self-cleaning, corrosion-resistant cartridge
Flow rate of 5.7 l/min, pressure-independent for wash basin faucets	Vandalism-protected rotation and mousseur lock
Hot water stop-valve	Wash basin wall faucet with swivel cast spout available
	Can be combined with grohtherm micro

- PRODUCT RANGE**
- Can be installed on the wash basin or on the wall
 - Available with or without mixing device; with or without pop-up waste
 - Suitable for pressurised storage heaters and instantaneous heaters

GROHE EUROSMART COSMOPOLITAN T



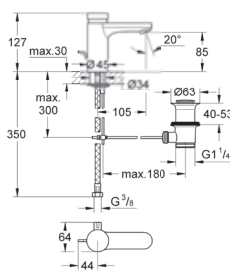
36 317 000

Eurosmart CT

1/2"

Self-closing basin mixer with mixture
single hole installation

mixing device with hot water stop valve

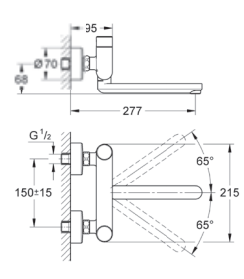


36 318 000

Eurosmart CT

1/2"

Self-closing basin mixer
with mixture
pop-up waste set 1 1/4"
single hole installation
mixing device with hot water stop valve

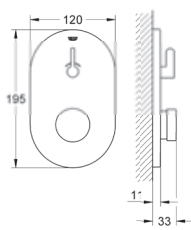


36 319 000

Eurosmart CT

1/2"

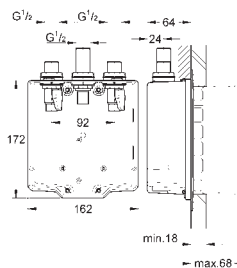
Self-closing basin mixer 1/2"
with mixing device
swivel cast spout 250 mm
swivel range stop at 130°
lockable
mixing device with hot water stop valve



36 321 000

Eurosmart CT

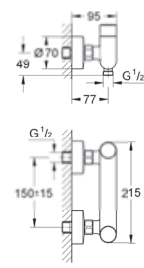
Self-closing shower mixer with mixture
set for final installation for concealed fitting box
chrome escutcheon
mixing device with hot water stop valve



36 322 000

Eurosmart CT

Concealed mounting box with mixture
suitable for self-closing final installation sets
with adhesive flange
2 stop valves



36 320 000

Eurosmart CT

1/2"

Self-closing shower mixer 1/2" with mixture
hose connection G 1/2" and G 3/4"
wall mounted
mixing device with hot water stop-valve

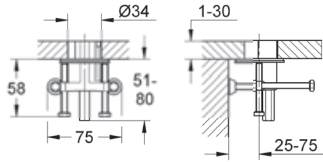


GROHE
EcoJoy



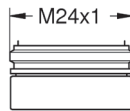
GROHE
StarLight®

GROHE features:
SmartFix
ErgoTouch



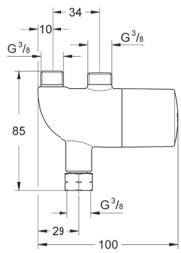
36 276 000

Rotation lock
vandalism hampering fixing device



36 133 000

Mousseur
theft proof with key

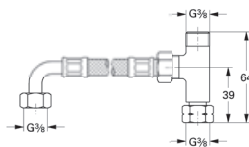


34 487 000

Grohtherm Micro

1/2"

Thermostatic scalding protection
temperature adjustment 15-43 °C
thermal disinfection without re-adjustment
of temperature
GROHE TurboStat® thermoelement
GROHE StarLight® chrome finish



47 533 000

Connection set for fittings with mixer

GROHE EUROECO COSMOPOLITAN T



The Euroeco Cosmopolitan T offers impressive features at an extremely attractive price, combining durable technology and contemporary design with the convenience of a self-closing faucet. The conical, easy-to-clean body houses reliable technology to supply cold or pre-mixed water.

- Unique conical (Cosmopolitan) design
- Reliable technology with high degree of continued- use suitability: self- cleaning, corrosion- resistant cartridge.
- Easy to clean and maintain thanks to the seamless transition from body to spout
- Low investment and operating costs
- Frequently used in airports, restaurants, sports and leisure facilities on wash basins and on surface-mounted or concealed shower mixers



GROHE
EcoJoy



GROHE
StarLight®

GROHE features:
ErgoTouch



SIMPLE ADJUSTMENT OF RUNNING TIME

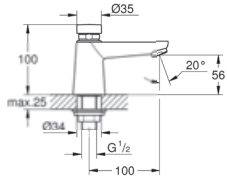
1. Disassemble cartridge
2. Three Running times

TECHNICAL FEATURES

Can supply cold or pre-mixed water according to need	Low-wear stainless-steel mixing device
Recommended flow pressure one to five bar	Self-cleaning, corrosion-resistant cartridge
3 Running times short - long - short (factory setting) set times approx 7, 15 or 30 sec (pressure dependable)	Vandalism-protected mousseur lock as an accessory
Flow rate of 5.7 l/min. at three bar (for wash basin faucets)	Can be combined with Grotherm micro

<p>PRODUCT RANGE</p> <ul style="list-style-type: none"> • Basin and concealed / exposed shower variants

GROHE EUROECO COSMOPOLITAN T



36 265 000

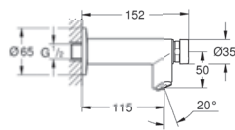
Euroeco CT

1/2"

Self-closing pillar tap 1/2"

single hole installation

marking: blue/red



36 266 000

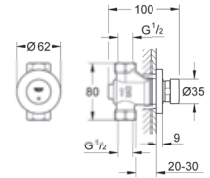
Euroeco CT

1/2"

Self-closing pillar tap 1/2"

single hole installation

marking: blue/red



36 268 000

Euroeco CT

1/2"

Self-closing gate valve 1/2"

for concealed installation

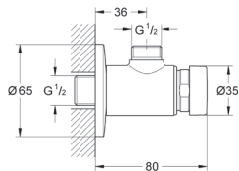
marking: blue/red



GROHE
EcoJoy



GROHE
StarLight®



36 267 000

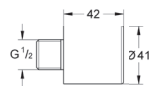
Euroeco CT

1/2"

Self-closing shower valve 1/2"

exposed installation

marking: blue/red

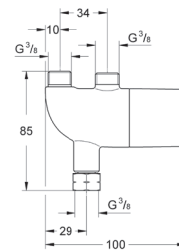


36 316 000

Euroeco CT

Extension 40 mm

for self-closing pillar tap 36 266 000



34 487 000

Grotherm Micro

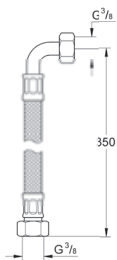
Thermostatic scalding protection

temperature adjustment 15-43 °C

thermal disinfection without re-adjustment of temperature

GROHE TurboStat® thermoelement

GROHE StarLight® chrome finish



45 704 000

Flexible hose

1/2"

300 mm

3/8" x 3/8"



GROHE PROFESSIONAL
WORK SMARTER

GROHE THERMOSTATS

SAFETY, COMFORT AND LOW OPERATING COSTS

Thermostats are the ideal solution for professional applications, particularly in shower systems, where economy and protection against scalding are of paramount importance. The right technology is needed because of the high flow temperatures.

No other technology protects so efficiently against scalding – for example, by automatically shutting off the hot water flow in a fraction of a second in the event of a drop in pressure in the cold-water supply.

Thermostats also help to save water and energy by reaching the desired temperature quickly and maintaining it without the need for continuous readjustment.

The importance of comfort and ergonomics continues to rise, particularly in the hotel industry as well as the health sector. Demographic trends explain the increasing demand for equipment that meets the needs of senior citizens, such as easy operation and maximum health protection. Children also require special protection in school sports and leisure facilities.

GROHE has done a great deal of pioneering work in the manufacture of high-quality thermostats in recent years and developed market-leading technologies such as GROHE TurboStat®, GROHE CoolTouch®, EasyLogic and the EcoButton.

- GROHE TurboStat®: always the right temperature and immediate reaction to fluctuations in water pressure; automatic stopping of the hot water supply in the event of a disruption in the cold water supply
- GROHE CoolTouch®: no risk of scalding from hot chrome surfaces
- GROHE EcoJoy: economical and resource-saving
- GROHE StarLight®: highly resistant to dirt and scratches
- Simplified thermal disinfection
- Wide range of equipment versions for special applications



GROHE
StarLight®



GROHE
TurboStat®



GROHE
CoolTouch®

GROHE THERMOSTATS OVERVIEW

GROHTHERM XL MAXIMUM PERFORMANCE

The Grohtherm XL guarantees maximum safety and performance in the supply of rows of showers, particularly in sports and leisure facilities. Up to 14 showers can be thermostatically protected and comfortably operated at the same time.

PAGE 306

GROHTHERM 2000 SPECIAL ALWAYS PLAY IT SAFE

Wherever there are people in need of protection – in hospitals, nursing homes or schools – thermostats with GROHE TurboStat® technology and GROHE CoolTouch® housing for showers and baths are the safest solution. Grohtherm 2000 Special is available in a wide range of surface-mounted and concealed versions with total protection for users of all ages.

PAGE 312





GROHTHERM MICRO SMALL, BUT EFFECTIVE

Grotherm Micro offers an easy way to provide thermostatic protection for wash basins or to pre-mix water to the temperature selected by the operator. Easy to install under the wash basin, the micro-thermostat compensates possible pressure fluctuations in the water supply automatically.

PAGE 318



GROHTHERM ERGOMIX A TRUE CLASSIC IN MEDICINE

A long lever for horizontal flow-rate selection as well as thermostatic temperature selection and protection form a perfect combination for use in medical facilities. Doctors and nurses have valued this proven technology and excellent ergonomics for a long time.

PAGE 320

GROHE GROHTHERM XL

GROHE PROFESSIONAL
WORK SMARTER



Rows of showers and washing areas frequently require large volumes of hot water with a clearly defined maximum temperature within a short time. The hot-water supply must be set up to ensure maximum performance and safety. High-quality thermostats provide protection against scalding for schools as well as sports and leisure facilities. The Grohtherm XL large thermostat guarantees maximum safety, delivering up to 140 litres of hot or fully premixed water per minute. For example, showers with self-closing faucets can be operated without individual temperature adjustment if the Grohtherm XL is installed upstream.

- Supplies up to 14 showers individually or in series systems simultaneously
- Simplified thermal disinfection (protection against legionella)
- Applications include sports facilities, swimming pools, fitness centres, saunas, spas



GROHE
StarLight®



Tamper-proof temperature adjustment with socket spanner
temperature control

TECHNICAL FEATURES

Recommended flow pressure 1.0 to 5.0 bar (minimum: 1.0 bar)

Flow rate of 9 l to 140 l per minute (at 3-bar flow pressure)

GROHE TurboStat®: constant water temperature irrespective of any pressure or flow-rate fluctuations; water flow stops automatically if there is a disruption in the cold-water supply

SafetyPlus: for safe, easy thermal disinfection (3 min. at 70 °C, max. 80 °C)

Temperature selection handle with pre-adjustable safety end stop between 33 °C and 43 °C

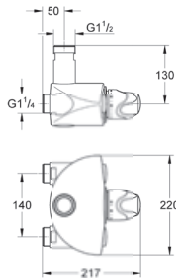
Tamper-proof temperature adjustment with socket-spanner temperature control

PRODUCT RANGE

- Concealed / exposed thermostatic central mixer

GROHE GROHTHERM XL

GROHE PROFESSIONAL
WORK SMARTER



35 085 000

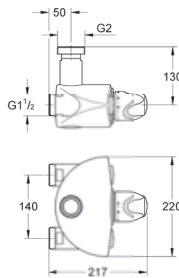
Grohtherm XL

1 1/4"

Thermostatic mixer, 1"
wall-mounted

temperature selector with safety stop
connection 1 1/4"

outlet 1 1/2"



35 087 000

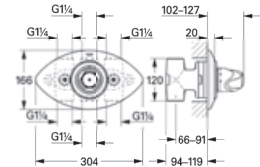
Grohtherm XL

1 1/2"

Thermostatic mixer
1 1/4", wall-mounted

temperature selector with safety stop
connection 1 1/2"

outlet 2"



35 003 000

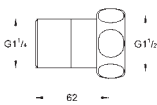
Grohtherm XL

DN25

Thermostatic mixer, 1"
concealed installation

temperature selector with safety stop
connection 1 1/4"

outlet 1 1/4"



12 424 000

Grohtherm XL

Straight union

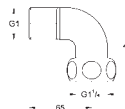
nut 1 1/2" x 1 1/4" male thread

(for Grohtherm XL 1", 35 085/35 086)

12 426 000

nut 2" x 1 1/2" male thread

(for Grohtherm XL 1 1/4", 35 087/35 088)



12 428 000

Grohtherm XL

Elbow union

nut 1 1/4" x 1" male thread

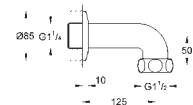
(for Grohtherm XL 1", 35 085/35 086)

in units of 2

12 430 000

nut 1 1/2" x 1 1/4" male thread

(for Grohtherm XL 1 1/4", 35 087/35 088)



12 432 000

Grohtherm XL

Wall union, male 1 1/4"

nut 1 1/2" x 1 1/4" male thread

projection 125 mm

screw escutcheon

(for Grohtherm XL 1", 35 085/35 086)



GROHE
StarLight®



47 569 000

Grotherm XL

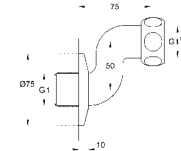
Loose key and shield



12 124 000

Grotherm XL

Mixed water circulation connection
flexible connection hose
3/4" x 3/4", 90° angle
for connection to existing circulation pipe



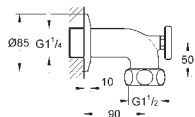
12 411 000

S-union

nut 1 1/4" x 1" male thread
adjustment range 50 mm
screw escutcheon
(for Grotherm XL 1", 35 085/35 086)

12 413 000

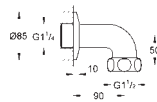
for Grotherm XL 1 1/2" (35 087 000)
nut 1 1/2" x 1 1/4" male thread
adjustment range 65 mm



12 444 000

Grotherm XL

Wall union, male 1 1/4"
with thermometer
nut 1 1/2" x 1 1/4" male thread
projection 90 mm
screw escutcheon
(for Grotherm XL 1", 35 085/35 086)



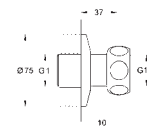
12 436 000

Grotherm XL

Wall union, male 1 1/4", without thermometer
nut 1 1/2" x 1 1/4" male thread
projection 90 mm, screw escutcheon
(for Grotherm XL 1", 35 085/35 086)

12 438 000

Wall union, male 1 1/2"
(for Grotherm XL 1 1/4", 35 087/35 088)
nut 2" x 1 1/2" male thread



12 417 000

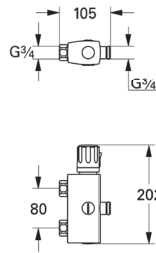
Grotherm XL

Straight union
nut 1 1/4" x 1" male thread
screw escutcheon
(for Grotherm XL 1", 35 085/35 086)

12 420 000

for Grotherm XL 1 1/2" (35 087 000)
nut 1 1/2" x 1 1/4" male thread

GROHE AUTOMATIC 2000 COMPACT

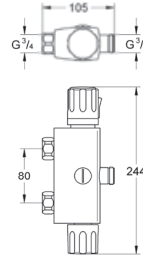


34 361 000

Automatic 2000 Compact

1/2"

Thermostatic mixer 1/2", wax thermoelement
wall mounted, outlet 3/4"
threaded connector 3/4"
temperature scale handle with
GROHE SafeStop at 38°C
built-in non return valves, dirt strainers
without connection unions, without elbow union

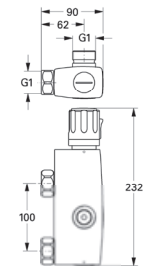


34 364 000

Automatic 2000 Compact

1/2"

Thermostatic mixer 1/2", wax thermoelement
with outlet 3/4", threaded connector 3/4"
Carbodur ceramic headpart 1/2", 180°
volume handle with individually adjustable
economy stop, temperature scale handle with
GROHE SafeStop at 38°C
built-in non return valves, dirt strainers
without connection unions, without elbow union



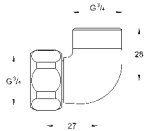
34 365 000

Automatic 2000 Compact

3/4"

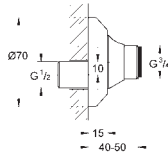
Thermostatic mixer 3/4"
wall mounted, wax thermoelement
temperature scale handle with
GROHE SafeStop at 38°C
1" threaded outlet, fitted above or below
built-in non return valves, dirt strainers
without connection unions, without elbow union
removable temperature end stop 45°C





12 419 000

Elbow union
nut 3/4" x 3/4" male thread
for thermostat 34 361/34 364
GROHE StarLight® chrome finish

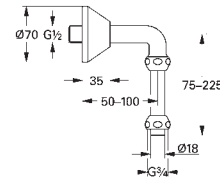


12 400 000

S-union, lockable
1/2" x 3/4"
adjustment range 10 mm
sliding escutcheon, lockable for service
GROHE StarLight® chrome finish

12 401 000

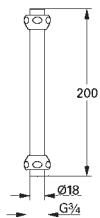
ditto, 3/4" x 1"



12 407 000

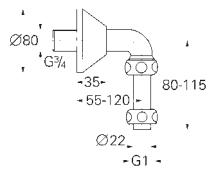
1/2"

Wall union, male 1/2"
without thermometer
connection pipe Ø 18 mm
connector set 3/4"
male thread 1/2"
sliding escutcheon
GROHE StarLight® chrome finish



45 058 000

Set for wall union 200 mm
with compression coupling 3/4"
for use with outlet elbow 12 407 ,1/2"
GROHE StarLight® chrome finish



12 408 000

Wall union, male 3/4"
without thermometer
connection pipe Ø 22 mm
connector set 1"
male thread 3/4"
sliding escutcheon
GROHE StarLight® chrome finish

GROHE GROHTHERM 2000 SPECIAL

GROHE PROFESSIONAL
WORK SMARTER



Reliable solutions are needed to protect the health of vulnerable people when they are using faucets. Unsafe handling of hot water or accidentally coming into contact with a hot mixer body can result in serious injury. In hospitals, care facilities and schools, shower systems and baths should be fitted with thermostats that provide protection against scalding. These requirements are met by GROHE thermostatic faucets with unique features such as GROHE CoolTouch® housing and GROHE TurboStat® technology. Grohtherm 2000 is used in (semi-) public and commercial sanitary facilities worldwide. Available for both surface-mounted and concealed installation, the Grohtherm 2000 ensures a constant water temperature. The mixer bodies of the surface-mounted versions for shower and/or bath also offer reliable protection against scalding thanks to GROHE CoolTouch® technology. Users can therefore immediately get to grips with safe operation.

- Ideal for use in the health sector, care facilities, hospitals, schools
- SafetyPlus ensures safe, easy thermal disinfection (3 min.- 70 °C, maximum 80 °C)
- GROHE TurboStat®: constant water temperature irrespective of any pressure or flow-rate fluctuations; water flow stops automatically if there is a disruption in the cold-water supply
- Faucet group I (DIN 4109)
- GROHE CoolTouch® offers protection against scalding for surface-mounted mixer bodies (outside temperature only 1° higher than the mixed water flow)
- Now with a metal temperature endstop



GROHE
EcoJoy



GROHE
StarLight®



GROHE
TurboStat®



GROHE
CoolTouch®

GROHE features:
SafeStop
EcoButton
AquaDimmer
EasyLogic
SafetyPlus
ErgoTouch



ENGINEERED FOR EFFECTIVE PROTECTION

All GROHE thermostats are based on the GROHE TurboStat® technology that mixes cold and hot water reliably and constantly as desired. Our thermostats react instantly to temperature and pressure changes and balance them automatically. In case of a sudden cold water disruption, e.g. due to a burst in a water pipe, this sophisticated technology stops the flow immediately to rule out the risk of scalding from unmixed hot water.

NO CHANCE FOR GERMS

Thermal disinfection of supply pipes and fittings is widely used as an effective measure against potential sources of infection in drinking water installations. Water heated to a temperature of 70° C is used to kill potential pathogens like legionella and removing biofilms and other undesirable deposits from the pipes. GROHE SafetyPlus greatly facilitates thermal disinfection routines. The fitting can be set for thermal disinfection in next to no time. Subsequent readjustment of the thermostat is not required.

TECHNICAL FEATURES

Recommended flow pressure 1.0 to 5.0 bar

Flow rate of 5 l to 9 l per minute

Meets all requirements of DIN EN 806-2 with regard to scalding protection

Faucet group I (DIN 4109)

Unlocking handle for thermal disinfection; subsequent readjustment not required

Temperature selection handle with pre-adjustable safety end stop between 33 °C and 43 °C

EasyLogic: intuitive and easy operation

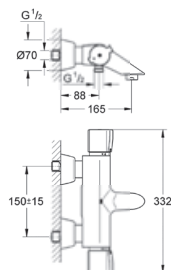
EcoButton: volume handle with economy stop

ErgoTouch: secure grip even with soapy hands

PRODUCT RANGE

- Concealed and exposed variants for shower and bath

GROHE GROHTHERM 2000 SPECIAL

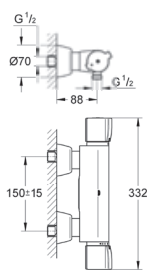


34 202 000

Grohtherm 2000 Special

1/2"

Thermostat bath mixer, 1/2"
GROHE CoolTouch® safety housing
automatic diverter bath/shower
mousseur
temperature scale handle with safety stop

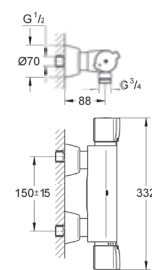


34 205 000

Grohtherm 2000 Special

1/2"

Thermostat shower mixer, 1/2"
GROHE CoolTouch® safety housing
volume handle with economy stop
temperature scale handle with safety stop

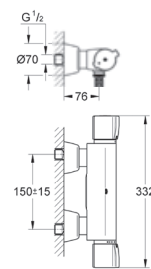


34 203 000

Grohtherm 2000 Special

1/2"

Thermostat mixer, 1/2"
for multi-way use
GROHE CoolTouch® safety housing
volume handle with economy stop
temperature scale handle with safety stop



34 427 000

Grohtherm 2000 Special

1/2"

Thermostat bath mixer, 1/2"
GROHE CoolTouch® safety housing
volume handle with economy stop
temperature scale handle with safety stop
chrome



GROHE
EcoJoy



GROHE
StarLight®

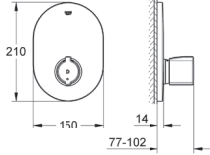


GROHE
TurboStat®



GROHE
CoolTouch®

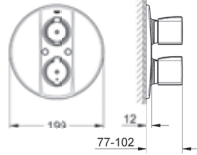
GROHE features:
SafeStop
EcoButton
AquaDimmer
EasyLogic
SafetyPlus
ErgoTouch



19 418 000

Grotherm 2000 Special

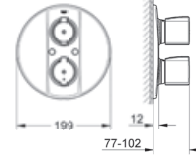
Central thermostatic mixer
set for final installation for 35 500 000
temperature scale handle with safety stop



19 416 000

Grotherm 2000 Special

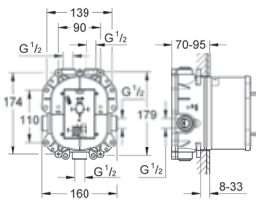
Thermostatic shower mixer
set for final installation for 35 500 000
temperature scale handle with safety stop
volume handle with economy stop



19 417 000

Grotherm 2000 Special

Thermostat with integrated 2-way diverter
for bath or shower
set for final installation for 35 500 000
temperature scale handle with safety stop
volume handle with economy stop



35 500 000

Rapido T

1/2"

Universal thermostatic mixer
for concealed installation
stop valve integrated in finishing trim set
concealed body for 19 416 000, 19 417 000
and 19 418 000



47 764 000

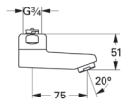
Unlocking handle



47 735 000

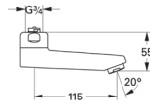
Handle for disabled use
antibacterial equipped material
to be mounted on volume handle

GROHE GROHTHERM 2000 SPECIAL



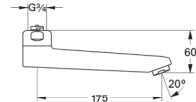
13 460 000

Cast swivel spout
length 75 mm
swivelling and lockable
laminar flow straightener 9 l/min.
coupling nut 3/4"
for 34 203 000



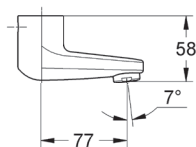
13 461 000

Cast swivel spout
length 115 mm
swivelling and lockable
economy mousseur
coupling nut 3/4"
for 34 203 000



13 462 000

Cast swivel spout
length 175 mm
swivelling and lockable
economy mousseur
coupling nut 3/4"
for 34 203 000

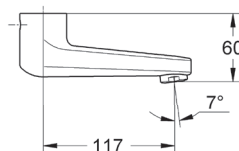


13 268 000

Bath spout
chrome finish
mousseur
length 77 mm
1/2" inlet
for 34 427 000

13 270 000

length 245 mm



13 269 000

Cast swivel spout
length 117 mm
swivelling and lockable
laminar flow straightener 9 l/min.
GROHE StarLight® chrome finish
for 34 427 000

13 270 000

length 245 mm



GROHE
EcoJoy



GROHE
StarLight®

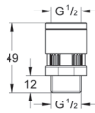


GROHE
TurboStat®



GROHE
CoolTouch®

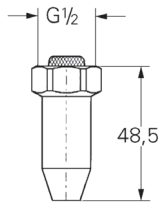
GROHE features:
SafeStop
EcoButton
AquaDimmer
EasyLogic
SafetyPlus
ErgoTouch



41 176 000

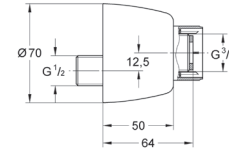
Eggemann

Anti-vacuum device A2 1/2"



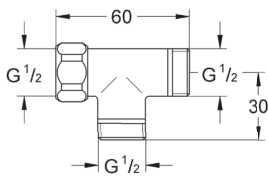
28 988 000

Drain down valve
for fitting between shut-off valve and shower
acc. to hospital guide rules
female thread 1/2"



12 051 000

S-union, lockable 1/2" x 3/4"
screw socket for covering union nut
and escutcheon
sealing towards wall
adjustment range 12.5 mm



28 874 000

T connection 1/2"
for connection to shower
and bath/shower mixer union nut 1/2"
2 connections 1/2" for the shower hose
or drain valves



47 763 000

Metal handle temperature control
vandalism hampering
individual fixing of a temperature



07 749 000

Handle for shut-off valve, metallic
for Automatic 2000
vandal-proof
GROHE StarLight® chrome finish

GROHE GROHTHERM MICRO

GROHE PROFESSIONAL
WORK SMARTER



A thermostat that's small in size, but big on safety. The Grohtherm Micro provides effective thermostatic protection, particularly on wash basins, either by limiting the maximum hot water temperature to a safe value or by premixing the water for supply from a faucet without a mixing device (pillar tap etc.). It's easy to install under the wash basin, thereby saving space, and ensures that the desired water temperature remains constant, even in the event of pressure fluctuations. Grohtherm Micro offers optimum protection, particularly in the case of facilities for children, senior citizens or people with mobility issues.

- A safety in the smallest places, space saving thermostats for protection or pre-mixing.
- Temperature regulation between 15 and 43 degree.
- Thermal disinfection by key, one turn to get to the max. temperature course no need for new calibration!
- Ideal for Hospitals, Public buildings, Offices, Schools, Coffee shops, Petrol stations, Kindergarten, SPA's, Airports, Dentists etc.
- Everywhere, where safety and comfort is wanted, requested or needed.



GROHE
StarLight®



GROHE
TurboStat®

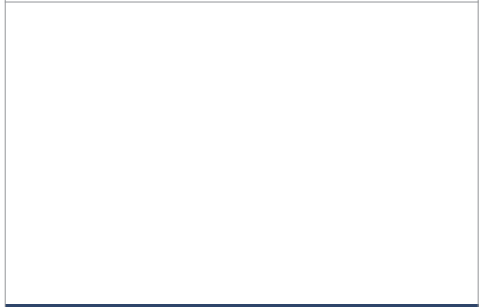
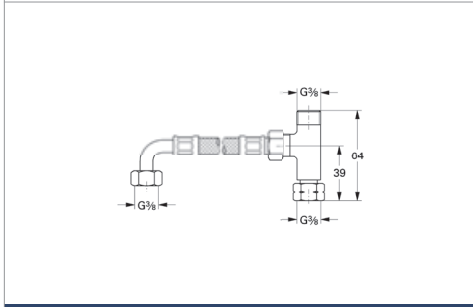
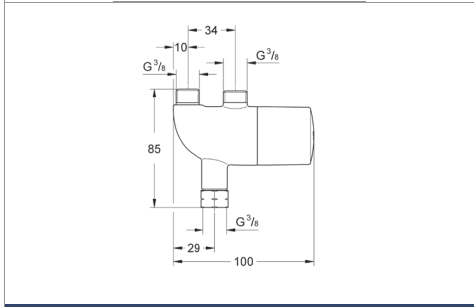
GROHE features:
SafeStop
SafetyPlus



1.
Set temperature by hand
between 15-43°C



2.
Technical disinfection
without new calibration



34 487 000
Grotherm Micro
Thermostatic scalding protection
temperature adjustment 15-43 °C
thermal disinfection without re-adjustment
of temperature, GROHE TurboStat®
thermoelement, GROHE StarLight® chrome finish

47 533 000
Connecting set for fittings with mixer
45 704 000
Flexible hose
300 mm, 3/8" x 3/8"

22 917 000
Angle valve 1/2"
socket spanner headpart
closed cap
connector set 3/8"
sliding escutcheon

SPECIAL FITTINGS

TECHNICAL FEATURES

Flow rate of 5 l to 23 l per minute	Scalding protection: maximum water temperature individually adjustable up to 80 °C;	Can be combined with any single-hole mixer: pillar tap, single-lever mixer, self-closing faucet, electronic faucet
Effective scalding protection to VDI 6000 and DIN EN 806	Faucet group I (DIN 4109)	

- PRODUCT RANGE**
- Space saving thermostat for installation onto angle valve
 - New buildings and easy retrofitting of existing facilities

GROHE GROHTHERM ERGOMIX



Grohtherm Ergomix, with its long lever, has become a classic fixture in doctors' surgeries and other medical facilities. Ergonomic and hygienic operation using the underarm or elbow is a major contributing factor in this success. The faucet is unique because it's operated at horizontal level, while the flow rate is controlled vertically using conventional single-lever mixers. The thermostat for adjusting the water temperature, which is always reliable and constant, is also easy to reach from the front. Doctors and nursing staff appreciate the efficient design of the Grohtherm Ergomix. Dispensers for soap and disinfectant can be installed next to the wash basin to save space.

- Excellent control for both quantity and temperature as well as protection against scalding thanks to thermostatic protection
- Easy-to-clean design thanks to smooth surfaces and gentle water run-off
- Ideal for the health sector: wash basins in doctors' surgeries and clinics (operating rooms, gowning room, anaesthetic recovery room, intensive care unit etc.)
- Faucet group I (DIN 4109)



GROHE
TurboStat®

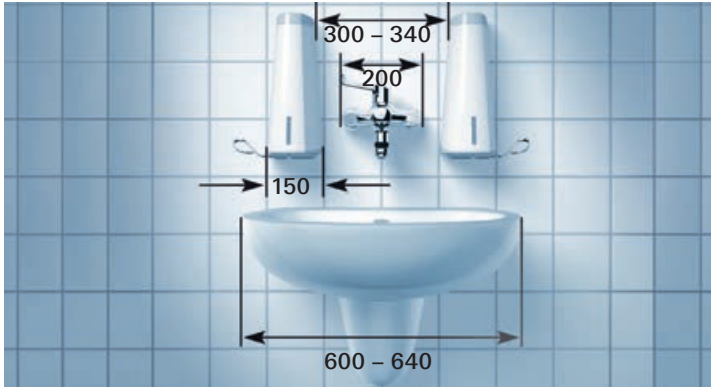


GROHE
SilkMove®



GROHE
StarLight®

GROHE features:
EasyLogic
SwivelStop
SafeStop
SafetyPlus
ErgoHandle



SPACE-SAVING THERMOSTAT POSITION
AT THE FRONT

ADJUSTING THE HOT WATER END STOP
Easy to use and very safe



THERMAL DISINFECTION

TECHNICAL FEATURES

Recommended flow pressure 1, 0 to 5, 0 bar.

Flow rate of 5 l to 9 l per minute

Variable flow-rate limitation thanks to a metal stop on the housing

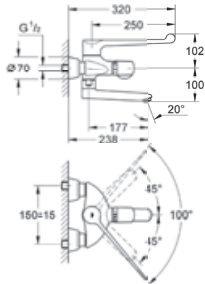
Maximum water temperature can be set individually between 35 °C and 45 °C temperature end stop

Faucet group I (DIN 4109)

ErgoTouch: secure grip even with soapy hands

SwivelStop: spout swivel limitation prevents water flow outside of the sink

GROHE GROHTHERM ERGOMIX



34 018 000

Grohtherm Ergomix

1/2"

Thermostatic basin mixer, 1/2"

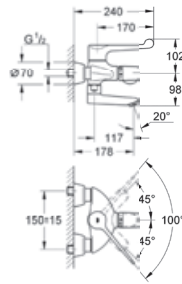
lever for elbow operation

metal elbow lever 250 mm

temperature handle with safety stop

easy thermal disinfection

projection 238 mm



34 019 000

Grohtherm Ergomix

1/2"

Thermostatic basin mixer, 1/2"

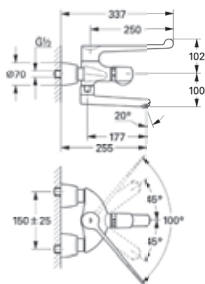
lever for elbow operation

metal elbow lever 170 mm

temperature handle with safety stop

easy thermal disinfection

projection 178 mm



34 020 000

Grohtherm Ergomix

1/2"

Thermostatic basin mixer, 1/2"

lever for elbow operation

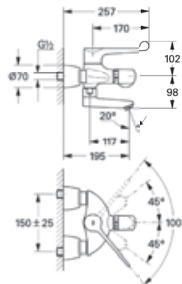
metal elbow lever 250 mm

temperature handle with safety stop

easy thermal disinfection

projection 255 mm

covered S-unions



34 021 000

Grohtherm Ergomix

1/2"

Thermostatic basin mixer, 1/2"

lever for elbow operation

metal elbow lever 170 mm

temperature handle with safety stop

easy thermal disinfection

projection 195 mm

covered S-unions



GROHE
TurboStat®

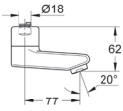


GROHE
SilkMove®



GROHE
StarLight®

GROHE features:
EasyLogic
SwivelStop
SafeStop
SafetyPlus
ErgoHandle



13 080 000

Spout

length 77 mm

GROHE StarLight® chrome finish

13 137 000

length 115 mm

13 138 000

length 175 mm



GROHE PROFESSIONAL
WORK SMARTER

GROHE SPECIAL SINGLE-LEVER MIXERS

ERGONOMICS COMBINED WITH HYGIENE

Hygiene and ergonomics are essential considerations for health-sector washing areas and go hand-in-hand. Elongated and ergonomically shaped levers not only enhance convenience of operation, but also make it easier for medical and nursing staff to wash their hands and keep them clean. These faucets can easily be controlled with the underarm or elbow, meaning your hands don't have to come into contact with the faucet again after you have washed them.

Advanced technologies, such as GROHE SilkMove®, also make a major contribution to user safety. The extremely robust, durable cutting-edge technology in the GROHE cartridges ensures ease of movement and low wear. Proven many millions of times over the world, it's at the heart of all GROHE single-lever mixers.

Many other developments, such as SwivelStop, ErgoTouch and individually adjustable temperature limiters, also improve handling and safety. The lever and spout lengths of GROHE special faucets can also be adapted to suit one another and to the wash basin dimensions – to ensure easy, safe operation.

- Extensive range for a wide variety of applications, with strict hygiene requirements, particularly in the health sector and in care facilities
- GROHE SilkMove®: Gentle ease of movement ensures maximum convenience of operation
- GROHE StarLight®: Highly resistant surface finishes
- GROHE EcoJoy: Economical and resource-saving
- Ergonomically shaped levers available in different lengths; adapted to spouts
- Swivel spouts available in different lengths; the water jet has no contact with the waste water outlet, so germs aren't washed up
- Easy-to-clean mixer body design



GROHE
StarLight®



GROHE
SilkMove®



GROHE
EcoJoy

GROHE SPECIAL SINGLE-LEVER MIXERS AT A GLANCE

GROHE PROFESSIONAL
WORK SMARTER

EUROECO SPECIAL SAFETY MIXER HIGH POSITION WITH HORIZONTAL CONTROL

A unique feature of the Euroeco Special safety mixer is the control of flow rate and temperature 'on one level'. With this functionality and the ergonomically shaped long lever, it's easy for doctors and nurses to choose the right flow rate and temperature, even using their underarm or elbow.



EUROECO SPECIAL SINGLE-LEVER MIXERS PERFECT LEVER ACTION

Euroeco Special single-lever mixers are extremely easy and safe for nursing staff to use, as well as patients, care home residents, etc. The slight curve upwards at the end of the lever makes it easier to handle on wash basins and in showers.



GROHE EUROECO SPECIAL SAFETY MIXER



A unique feature of the Euroeco Special safety mixer is its functionality and operation. The important parameters for daily use – flow rate and temperature – can be controlled “on one level”. When the lever is moved from left to right, cold water is dispensed at first. The further the lever is pushed to the right, the hotter the water that flows out of the faucet. With this unique functionality and the ergonomically shaped, long lever, doctors and nursing staff can easily choose the required flow rate and temperature, even using their underarm or elbow. It’s extremely hygienic, safe and precise.

- For strict hygienic requirements in the health sector (doctors, nurses), e.g. for rehabilitation, gowning rooms, hospital rooms etc.
- Control of flow rate and temperature `on one level`: hygienic operation using underarm and extensive protection against scalding, as the water is always cold at the start
- GROHE StarLight®: Highly resistant surface finishes
- ErgoTouch: simple, safe and convenient operation thanks to the long, ergonomically shaped lever
- Easy-to-clean design thanks to flowing shapes and prevention of dirt around the edges
- Faucet group I (DIN 4109)



GROHE
StarLight®



GROHE
SilkMove®

GROHE features:
ErgoTouch
InvisibleFastening System



COMFORT AND SAFETY FOR ALL USERS

Because the flow rate can be variably pre-set, the robust metal lever only has to be pushed from left to right (left: cold, right: warm; maximum temperature can be pre-set). This helps control both water consumption and energy costs. To spare users from “hot” surprises, the water is always cold when the faucet is first opened.

EXCEPTIONAL HYGIENE

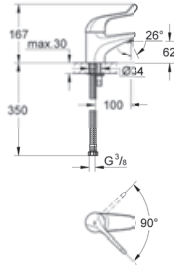
A laminar flow prevents bacteria in the air entering the water and the smooth, easy-to-clean surface of the fitting combine to ensure perfectly hygienic water.

TECHNICAL FEATURES

<p>Recommended flow pressure: min. recommended 1.0 to 5.0 bar</p> <hr/> <p>Flow rate of 5 l to 9 l (shower 16 l) per minute</p> <hr/> <p>Variable presetting of the flow rate</p> <hr/> <p>Flow straightener: prevents bacteria entering the water</p>	<p>Hot water stop-valve</p> <hr/> <p>Cast swivel spouts with extremely stable bearing</p> <hr/> <p>SwivelStop: prevents swivelling beyond the wash basin area</p> <hr/> <p>Faucet group I (DIN 4109)</p>	<p>Optional adjustable unions for easy maintenance</p> <hr/> <p>Sturdy metal lever</p>
--	--	--

<p>SORTIMENT</p> <ul style="list-style-type: none"> • Spouts and operating levers available in different lengths
--

GROHE EUROECO SPECIAL SAFETY MIXER

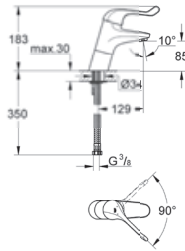


32 789 000

Euroeco Special

1/2"

Single-lever safety basin mixer, 1/2" single hole installation
adjustable flow rate limiter
laminar flow straightener 9l/min.
metal lever 120 mm
temperature limiter

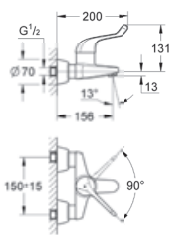


32 790 000

Euroeco Special

1/2"

Single-lever safety basin mixer, high version single hole installation, adjustable flow rate limiter
adjustable minimum flow rate 6 l/min.
laminar flow straightener 9 l/min.
metal lever, lever length 120 mm
temperature limiter
smooth body

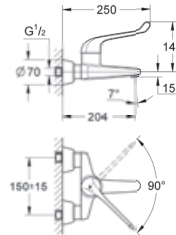


32 794 000

Euroeco Special

1/2"

Single-lever safety basin mixer, 1/2" wall-mounted
adjustable flow rate limiter
cast spout
laminar flow straightener 9l/min.
projection 156 mm
metal lever 120 mm
temperature limiter



32 795 000

Euroeco Special

1/2"

Single-lever safety basin mixer, 1/2" wall-mounted
adjustable flow rate limiter
cast spout
laminar flow straightener 9l/min.
projection 204 mm
metal lever 170 mm
temperature limiter

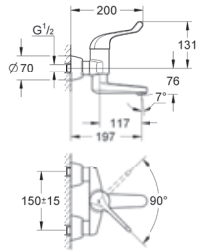


GROHE StarLight®



GROHE SilkMove®

GROHE features:
ErgoTouch
InvisibleFastening System

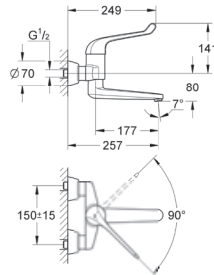


32 792 000

Euroeco Special

1/2"

Single-lever safety basin mixer, 1/2"
wall-mounted
adjustable flow rate limiter
cast swivel spout, lockable
laminar flow straightener 9l/min.
projection 196 mm
metal lever 120 mm
temperature limiter

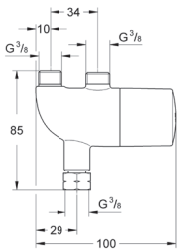


32 793 000

Euroeco Special

1/2"

Single-lever safety basin mixer, 1/2"
wall-mounted
adjustable flow rate limiter
cast swivel spout, lockable
laminar flow straightener 9l/min.
projection 256 mm
metal lever 170 mm
temperature limiter



34 487 000

Grohtherm Micro

Thermostatic scalding protection
temperature adjustment 15-43 °C
thermal disinfection without re-adjustment
of temperature
GROHE TurboStat® thermoelement
GROHE StarLight® chrome finish
47 533 000
Connection set for fittings with mixer



46 277 000

Temperature limiter
for cartridge 46 278
for Euroeco safety mixer batteries



46 278 000

Cartridge
with ceramic sealing system
for Euroeco safety mixer batteries

GROHE EUROECO SPECIAL SINGLE-LEVER MIXER

NEW DESIGN FOR THE PROFESSIONAL SOLUTION

GROHE presents a new generation of Euroeco Special faucets integrating the latest project know-how to meet our clients' demands. Hygiene, ergonomics, durability and safety are reflected in a modern yet timeless design.



THE OPTIMUM SOLUTION FOR ALL APPLICATIONS

From hospitals to care homes; from patients' bathrooms to examination rooms; and from laboratories to kitchens, the new Euroeco Special offers maximum flexibility for all draw-off points.

GROHE StarLight®

Radiant chrome finish resistant to soil and tarnishing - stays like new for years.

Rounded shapes:

- Degressive shapes to avoid accidents
- Smooth curves for easy cleaning
- Lever length matches spout length for convenient operation

Overlapping cap:

- Water drips off for easy cleaning

Smooth waste rod:

- Clear shapes for easy cleaning
- Smooth edges to protect the user



Integrated temperature limiter:

- Maximum temperature can be pre-set to reduce energy costs and for extra safety

ErgoTouch:

- Easiest operation with only a tip of the finger
- Reduced contact areas of the lever
- Strong metal lever

GROHE SilkMove®

Smoothest handling and a lifetime of maintenance-free comfort and reliability

Laminar mousseur:

- No bacteria caught from the air

GROHE EUROECO SPECIAL SINGLE-LEVER MIXER



The upwards curve of the lever of the Euroeco Special single-lever mixer makes it particularly easy to reach. Wash basins for nursing staff are therefore just as ergonomically designed as kitchen sinks and baths for patients or sanitary facilities in residential care homes. For wash basins, we offer pillar and wall-mounted versions, each with different lever and spout lengths. In showers, improved handling helps people with limited coordination – for example due to illness or age.

- ErgoTouch: supports easy and safe operations on wash basins and in showers. Particularly beneficial in the health sector, e.g. for retirement homes, schools, patient rooms, accessible bathrooms, nurses' homes, laboratories, kitchens etc. The ergonomically designed levers are available as solid or stirrup levers.
- GROHE SilkMove®: gentle ease of movement ensures maximum convenience of operation
- GROHE StarLight®: highly resistant surface finishes
- Easy-to-clean design, thanks to soft, flowing shapes and prevention of dirt around the edges
- Faucet group I (DIN 4109)



GROHE
SilkMove®



GROHE
StarLight®

GROHE features:
SwivelStop
Covered S-unions
CoveredScrews



HYGIENE - NO CORNERS AND EDGES, FLOWING FORMS



ERGONOMICS



INTEGRATED TEMPERATURE LIMITER



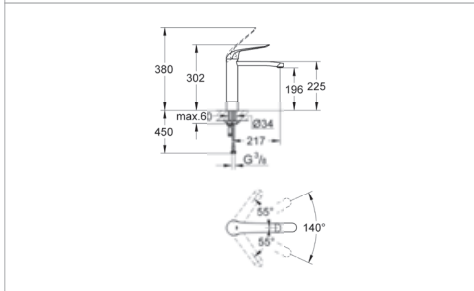
GROHTHERM MICRO FOR SCALDING PROTECTION

SPECIAL FITTINGS

TECHNICAL FEATURES

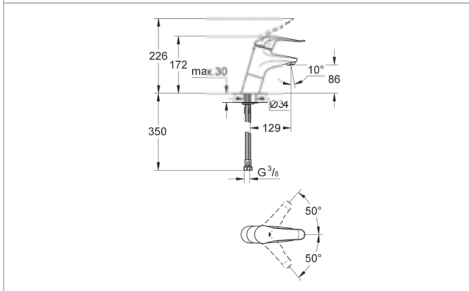
<p>Recommended flow pressure: min. recommended 1.0 to 5.0 bar</p> <hr/> <p>Flow rate of 6 l to 9 l (shower faucet up to 16 l) per minute</p> <hr/> <p>Variable presetting of the flow rate</p> <hr/> <p>Flow straightener: prevents bacteria entering the water</p> <hr/> <p>Faucet group I (DIN 4109)</p>	<p>Integrated temperature limiter as hot water stop-valve</p> <hr/> <p>SwivelStop: prevents swivelling beyond the wash basin area</p> <hr/> <p>Cast swivel spouts with extremely stable bearing</p> <hr/> <p>Spouts and operating levers available in different lengths</p>	<p>Sturdy metal lever</p> <hr/> <p>s11 wash basin projections: 156 mm, 162 mm, 173 mm, 196 mm, 204 mm, 213 mm, 220 mm, 222 mm, 256 mm, 272 mm, 341 mm</p> <hr/> <p>Recommended combination with Grohtherm Micro for scalding protection (to DIN EN 806-2)</p>
--	---	---

GROHE EUROECO SPECIAL SINGLE-LEVER MIXER



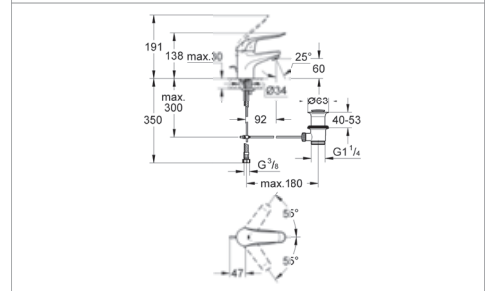
30 208 000
Euroeco Special 1/2"

Single-lever basin mixer 1/2"
medium spout, single hole installation
adjustable flow rate limiter
swivel tubular spout, swivel area 140°
special lever 170 mm, spout height: 196 mm
laminar flow straightener 5.7 l/min.
temperature limiter
30 209 000 - spout height: 297 mm



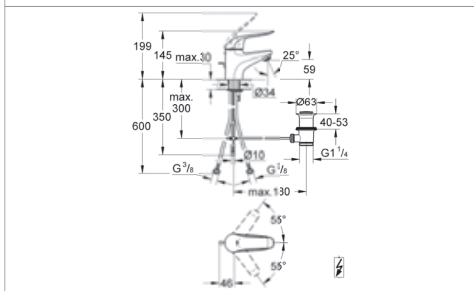
32 765 000
Euroeco Special 1/2"

Single-lever basin mixer grande, 1/2"
single hole installation
adjustable flow rate limiter
laminar flow straightener 9l/min.
metal lever 120 mm
temperature limiter
32 766 000 - with pop-up waste set



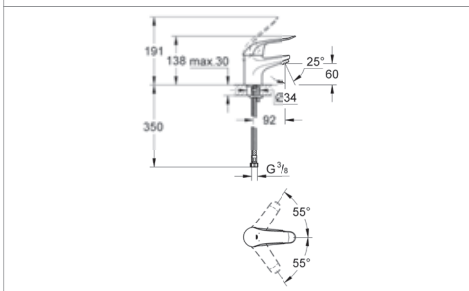
32 763 000
Euroeco Special 1/2"

Single-lever basin mixer, 1/2"
single hole installation
adjustable flow rate limiter
laminar flow straightener 9l/min.
metal lever 120 mm
temperature limiter
pop-up waste set



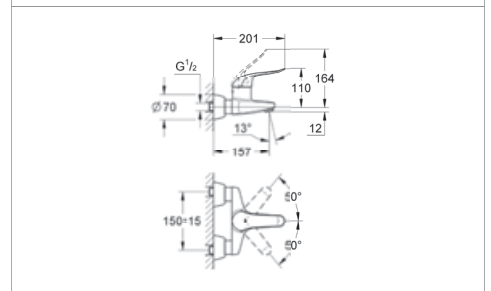
32 764 000
Euroeco Special 1/2"

Single-lever basin mixer, 1/2"
for open water heater
single hole installation
adjustable flow rate limiter
flow straightener
metal lever 120 mm
temperature limiter
pop-up waste set



32 762 000
Euroeco Special 1/2"

Single-lever basin mixer, 1/2"
single hole installation
adjustable flow rate limiter
laminar flow straightener 9l/min.
metal lever 120 mm
temperature limiter

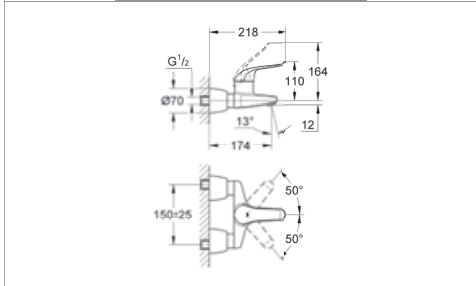


32 776 000
Euroeco Special 1/2"

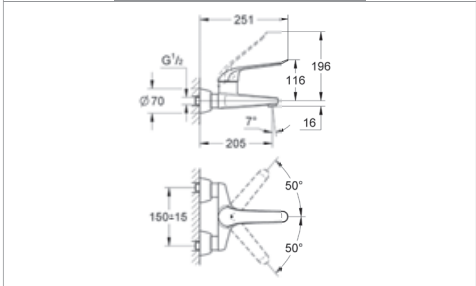
Single-lever basin mixer, 1/2"
wall-mounted
adjustable flow rate limiter
cast spout
laminar flow straightener 9l/min.
projection 156 mm
metal lever 120 mm
temperature limiter



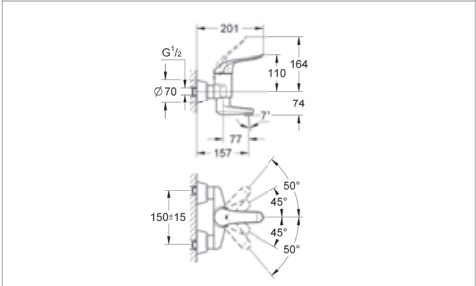
GROHE features:
SwivelStop
Covered S-unions
CoveredScrews



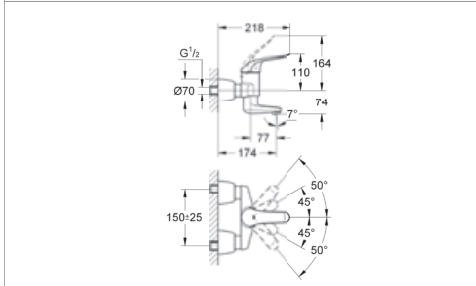
32 777 000
Euroeco Special 1/2"
 Single-lever basin mixer, 1/2"
 wall-mounted, adjustable flow rate limiter
 cast spout, laminar flow straightener 9l/min.
 projection 173 mm
 metal lever 120 mm
 temperature limiter
32 779 000
 metal lever 170 mm, projection 222 mm



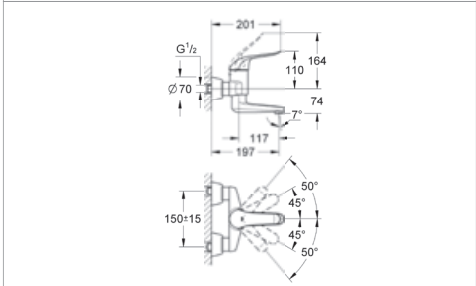
32 778 000
Euroeco Special
 Single-lever basin mixer, 1/2"
 wall-mounted, adjustable flow rate limiter
 cast spout, laminar flow straightener 9l/min.
 projection 204 mm
 metal lever 170 mm
 temperature limiter



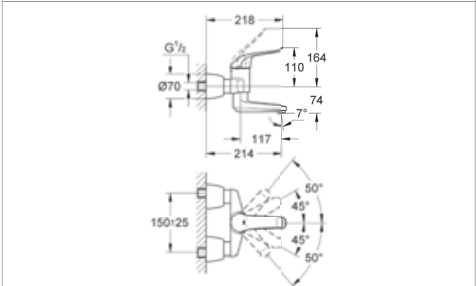
32 770 000
Euroeco Special 1/2"
 Single-lever basin mixer, 1/2"
 wall-mounted
 adjustable flow rate limiter
 cast spout
 laminar flow straightener 9l/min.
 projection 156 mm
 metal lever 120 mm
 temperature limiter



32 768 000
Euroeco Special
 Single-lever basin mixer
 1/2", wall-mounted
 adjustable flow rate limiter
 cast spout
 laminar flow straightener 9l/min.
 projection 173 mm
 metal lever 120 mm
 temperature limiter

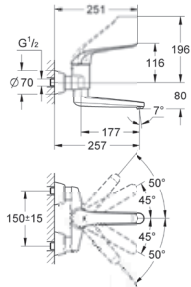


32 767 000
Euroeco Special 1/2"
 Single-lever basin mixer, 1/2"
 wall-mounted
 adjustable flow rate limiter
 cast swivel spout, lockable
 laminar flow straightener 9l/min.
 projection 196 mm
 metal lever 120 mm
 temperature limiter

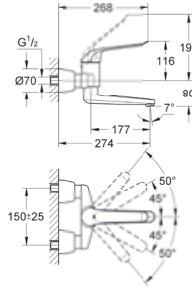


32 771 000
Euroeco Special 1/2"
 Single-lever basin mixer, 1/2"
 wall-mounted
 adjustable flow rate limiter
 cast swivel spout, lockable
 laminar flow straightener 9l/min.
 projection 213 mm
 metal lever 120 mm
 temperature limiter

GROHE EUROECO SPECIAL SINGLE-LEVER MIXER



32 773 000
Euroeco Special 1/2"
 Single-lever basin mixer
 wall-mounted, adjustable flow rate limiter
 cast swivel spout, lockable
 laminar flow straightener 9l/min.
 projection 256 mm, metal lever 170 mm
 temperature limiter



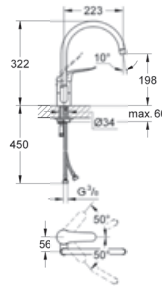
32 774 000
Euroeco Special 1/2"
 Single-lever basin mixer
 wall-mounted, adjustable flow rate limiter
 cast swivel spout, lockable
 laminar flow straightener 9l/min.
 projection 272 mm, metal lever 170 mm
 temperature limiter
32 775 000
 projection 342 mm, metal lever 170 mm,



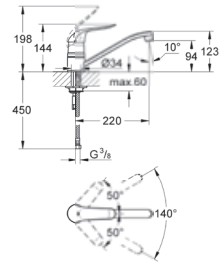
32 871 000
Euroeco Special
 Lever 160 mm
 for Euroeco Special single-lever mixer
 GROHE StarLight® chrome finish



32 870 000
Euroeco Special
 Lever 115 mm
 for Euroeco Special single-lever mixer
 GROHE StarLight® chrome finish



32 786 000
Euroeco Special 1/2"
 Single lever basin mixer
 single hole installation
 adjustable flow rate limiter
 swivel tubular spout
 laminar flow straightener 9 l/min.
 metal lever 120 mm
 temperature limiter



32 787 000
Euroeco Special 1/2"
 Single-lever sink mixer
 single hole installation
 adjustable minimum flow rate approx. 2.5 l/min
 swivel tubular spout
 laminar flow straightener 9 l/min.
 lever length 120 mm
 temperature limiter
 flexible connection hoses

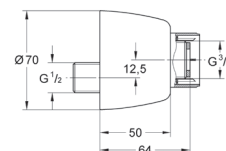
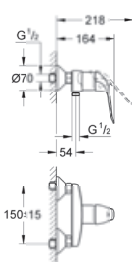
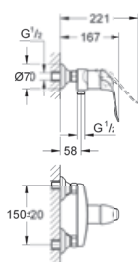


GROHE
SilkMove®



GROHE
StarLight®

GROHE features:
 SwivelStop
 Covered S-unions
 CoveredScrews



32 781 000

Euroeco Special

1/2"

Single-lever shower mixer, 1/2"
wall-mounted
adjustable flow rate limiter
adjustable temperature limiter
shower bottom outlet 1/2"
integrated non-return valve
metal lever 120 mm
with lockable S unions

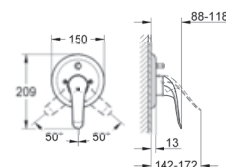
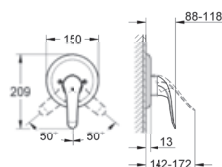
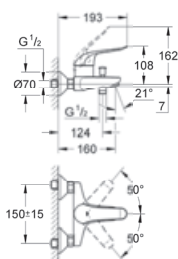
32 780 000

Euroeco Special

Single-lever shower mixer, 1/2"
wall-mounted
adjustable flow rate limiter
adjustable temperature limiter
shower bottom outlet 1/2"
integrated non-return valve
metal lever 120 mm

12 051 000

S-union, lockable
1/2" x 3/4"
screw socket to cover the union nut and the escutcheon
sealing towards wall
adjustment range 12.5 mm
lockable for service



32 783 000

Euroeco Special

1/2"

Single-lever bath mixer, 1/2"
wall-mounted
adjustable flow rate limiter
automatic diverter bath/shower
integrated non-return valve
metal lever 120 mm
temperature limiter

32 784 000

Euroeco Special

1/2"

Single-lever shower mixer, 1/2"
set for final installation for 35 501 000
metal lever 120 mm
metal escutcheon
temperature limiter

32 785 000

Euroeco Special

1/2"

Single-lever bath mixer, 1/2"
set for final installation for 35 501 000
temperature limiter

GROHE PROFESSIONAL
WORK SMARTER





GROHE CONNECTION AND SAFETY TECHNOLOGY

PERFECT PROTECTION FOR DRINKING WATER AND INSTALLATION

GROHE connection and safety technology comprises an extensive range of products for the consistent protection of drinking water quality and of domestic installations. GROHE has the ideal solution for all installation conditions.

GROHE service valves allow the water supply to be simply shut off so that maintenance, repairs or faucet replacement can be carried out. WAS® valves protect dishwashers, washing machines and other devices, while special protective fittings prevent the back flow of waste water into drinking water. GROHE filter technology removes suspended particles from the water, which can impair the functionality of sanitary facilities in the long term. And GROHE garden valves are designed to withstand the damaging effects of long, cold winters.

GROHE CONNECTION AND SAFETY TECHNOLOGY

SERVICE VALVES PERFECT CONNECTIONS

Service valves are the first link between the wall connection and the faucet and are simple, yet effective. Reliable and smooth-running technology ensures that the shut-off valve continues to open and close reliably, even after years of use.



SEITE 344

WAS® VALVES – SUITABLE FOR ALL CONNECTIONS

Whether in the kitchen, bathroom, basement or garage, for the initial installation, refurbishment or extension of connections, WAS® valves offer a suitable solution for all discharge points in the house.



SEITE 350



SAFETY AND PROTECTION AGAINST DIRT

GROHE protective fittings ensure that drinking water is reliably protected against waste water. Anti-vacuum devices, non-return valves, pipe-ventilating valves and protective combinations ensure full compliance with drinking-water legislation.

GROHE filter technology ensures consistently smooth running of faucets and devices. The high-quality stainless-steel filter inserts remove unwanted suspended particles without reducing the flow pressure.

SEITE 358



EUROTEC OUTSIDE-WALL VALVES FROST PROTECTION INCLUDED

Automatically running empty after each use is a major advantage in outside wall and garden valves. In Eurotec outside-wall valves, no water – which could expand at freezing temperatures and therefore damage the faucet or the pipe – remains.

SEITE 362

GROHE SERVICE VALVES READY TO USE AT ANY TIME - GUARANTEED

GROHE PROFESSIONAL
WORK SMARTER



Connecting wall mountings to fittings in bathrooms, kitchens, cellar rooms and various wet areas, service valves have an important function and are often required to last for decades. Stringent continuous-service and noise-control tests as well as surface-quality tests bear witness to the high durability and long service life of our products.

By performing these intensive tests, GROHE ensures that service valves withstand stresses without compromise and are always ready to use. GROHE's manufacturer's five-year warranty vouches for that!

- Long-life service valves with GROHE brand quality
- Five-year manufacturer's warranty
- Optional: self-sealing connection thread for fast and simplified installation
- Ergonomic handles, optionally made from metal
- Metal handle variations, equipped with a long connecting shaft for flexible installation
- Noise class I (DIN 4109)
- Conforming to standards: meets current European approval standards
- Excellent price/performance ratio

TECHNICAL FEATURES

GROHE Longlife Technology: water-protected brass spindles with integrated grease chamber. Maintenance-free due to double O-ring seal

Ergonomic handles, optionally made from metal

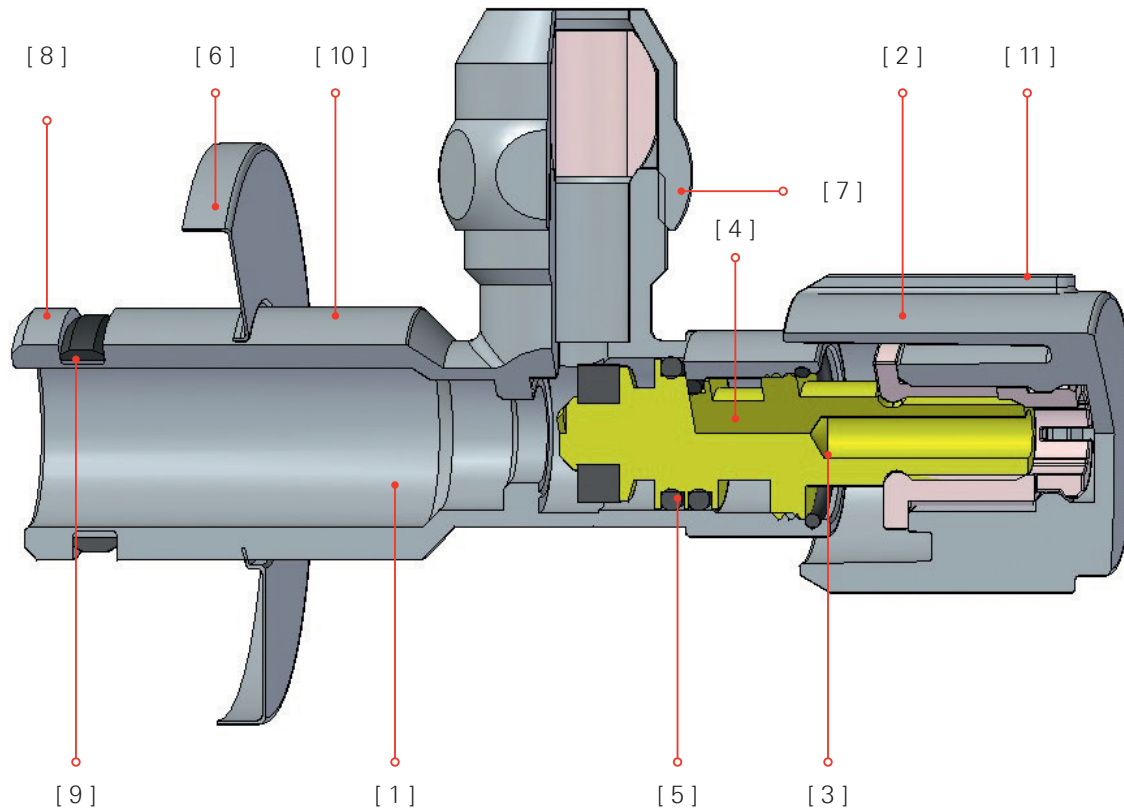
Escutcheon made from metal

Optional: self-sealing connection thread

Noise class I (DIN 4109)

equipped with a long compressor connection for flexible installation

GROHE SERVICE VALVES QUALITY IN EVERY DETAIL



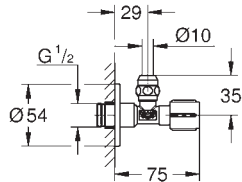
Even the standard versions of GROHE quality service valves have features which guarantee long-term reliability and simple installation:

- [1] Noise class I (DIN 4109)
- [2] Ergonomic handle design for easy maintenance
- [3] GROHE Longlife Technology with water-protected brass spindles
- [4] Integrated grease chamber for long-term smooth operation
- [5] Maintenance-free due to double O-ring seal
- [6] Solid metal escutcheon with Ø 54mm
- [7] Secure connection due to compression coupling for copper pipes (Ø 10mm) or connection thread
- [8] Pre-roughened thread for easy sealing with hemp

In addition, service valves are available with product features that make installation faster and easier and emphasise quality over the long term:

- [9] Easier installation due to self-sealing connection thread: no need to seal with hemp or Teflon tape
- [10] Increased installation flexibility due to 18mm long connecting shaft
- [11] Metal handle

GROHE SERVICE VALVES

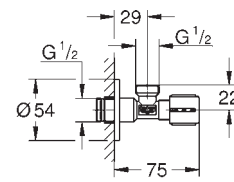


22 039 000
Angle valve 1/2"

self-sealing connection thread, ergonomic metal handle, marking: neutral
wall connection 1/2", outlet 3/8", with compression nut Ø 10mm
with length compensation
water protected spindle shutoff, brass,
with grease chamber and double o-ring sealing
long push rod, metal push-on escutcheon

22 051 000 - ditto, compression nut*

22 040 000 - ditto, without escutcheon

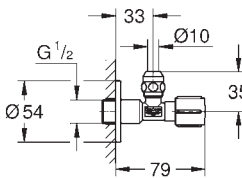


22 043 000
Angle valve 1/2"

self-sealing connection thread, ergonomic metal handle, marking: neutral
wall connection 1/2", outlet 1/2"
water protected spindle shutoff, brass,
with grease chamber and double o-ring sealing
long push rod
metal push-on escutcheon

22 044 000

ditto, without escutcheon

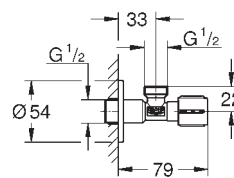


22 037 000
Angle valve 1/2"

ergonomic metal handle, marking: neutral
wall connection 1/2", outlet 3/8", with compression nut Ø 10mm
with length compensation, water protected spindle shutoff, brass,
with grease chamber and double o-ring sealing
long push rod
metal push-on escutcheon

22 049 000 - ditto, compression nut*

22 038 000 - ditto, without escutcheon



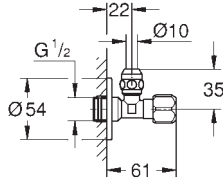
22 041 000
Angle valve 1/2"

ergonomic metal handle, marking: neutral
wall connection 1/2", outlet 1/2"
water protected spindle shutoff, brass,
with grease chamber and double o-ring sealing
long push rod
metal push-on escutcheon

22 042 000

ditto, without escutcheon

*with dirt protection cap



22 023 00M

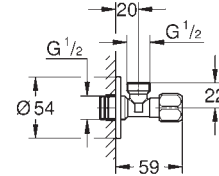
Angle valve 1/2"

self-sealing connection thread, ergonomic handle, marking: neutral wall connection 1/2", outlet 3/8", with compression nut Ø 10mm with length compensation, water protected spindle shutoff, brass, with grease chamber and double o-ring sealing metal push-on escutcheon

10 pieces

22 048 00M - ditto, compression nut*

22 024 000 - ditto, without escutcheon, 1 piece



22 027 00M

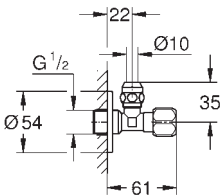
Angle valve 1/2"

self-sealing connection thread, ergonomic handle, marking: neutral wall connection 1/2", outlet 1/2" water protected spindle shutoff, brass, with grease chamber and double o-ring sealing metal push-on escutcheon

10 pieces

22 028 000

ditto, without escutcheon, 1 piece



22 018 00M

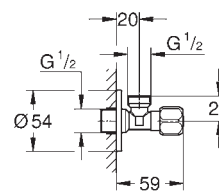
Angle valve 1/2"

ergonomic handle, marking: neutral wall connection 1/2", outlet 3/8", with compression nut Ø 10mm with length compensation, water protected spindle shutoff, brass, with grease chamber and double o-ring sealing metal push-on escutcheon

10 pieces

22 047 00M - ditto, compression nut*

22 019 000 - ditto, without escutcheon, 1 piece



22 025 00M

Angle valve 1/2"

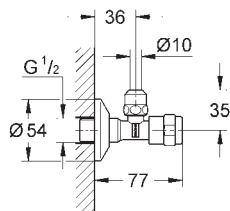
ergonomic handle, marking: neutral wall connection 1/2", outlet 1/2" water protected spindle shutoff, brass, with grease chamber and double o-ring sealing metal push-on escutcheon

10 pieces

22 026 000

ditto, without escutcheon, 1 piece

GROHE SERVICE VALVES



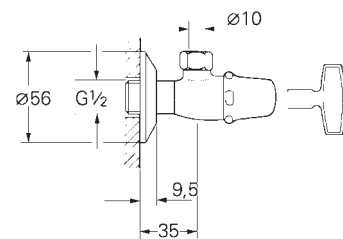
41 263 000

EGAPLUS service valve 1/2"

cartridge headpart

connector set 3/8"

sliding escutcheon



22 917 000

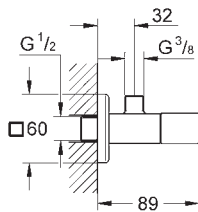
Atlanta Angle valve 1/2"

socket spanner headpart

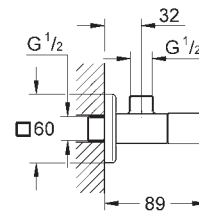
closed cap

connector set 3/8"

sliding escutcheon



22 012 000
Angle valve 1/2"
 outlet 3/8"
 metal handle



22 013 000
Angle valve 1/2"
 outlet 1/2"
 metal handle





GROHE WAS[®]-VALVES

CONVENIENT CONNECTION

For refurbishment or retrofitting, subsequent device hose unions are frequently required. This is where the use of a WAS[®] valve can be useful, as it allows existing installations, for example, to be quickly and easily expanded to include one or two additional unit connections.

A key advantage of GROHE WAS[®] valves is their durability and functionality: the grease chamber headpart technology with integrated non-return valve protects against limescale deposits even during protracted periods of non-use, as the spindle is in the protective cartridge when the valve is open.

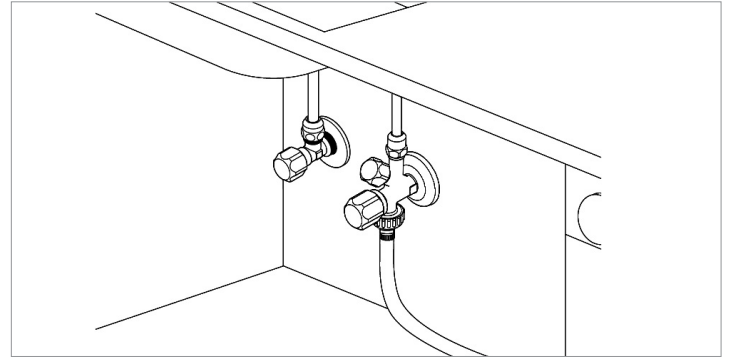
WAS[®] valves are intrinsically safe against return flow. Their use is therefore an important contributing factor in the protection of drinking water against impurities in drinking water installations (DIN EN 1717).

- Effective valves for the protection of drinking water against impurities in drinking-water installations in accordance with DIN EN 1717
- Used primarily for the connection of dishwashers, washing machines and other appliances
- Long-term ease of use and reliability, thanks to grease chamber headparts

GROHE ORIGINAL WAS® COMBINATION SERVICE VALVES WITH LOCKABLE DEVICE-CONNECTION

The combination service valve for the additional unit connection.

The WAS® combination service valve is used virtually every day in installations that call for an additional hose union – such as a dishwasher in the kitchen or a washing machine in a bathroom or basement.



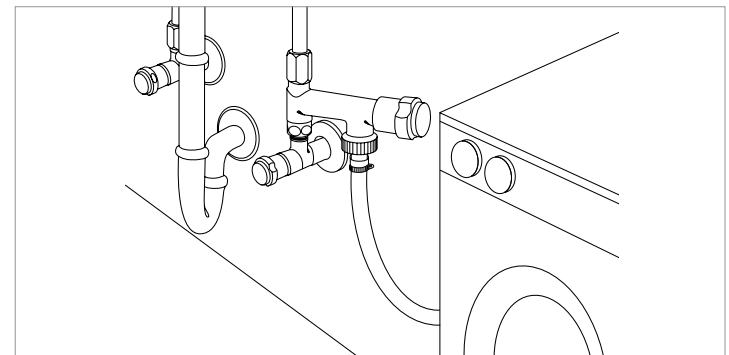
TECHNICAL FEATURES	
Automatic shut-off due to Longlife grease chamber head part with integrated non-return valve.	GROHE Longlife Technology: Water-protected brass spindle shut-off and integrated grease chamber. Maintenance-free due to double O-ring seal
Option of self-sealing connection thread.	Noise class I according to DIN 4109.



GROHE WAS®-VALVES ORIGINAL WAS®- ECKFIX

Safety in the smallest of spaces.

With WAS® `Eckfix`, existing service valves can continue to be used when installing a new, adjustable union.

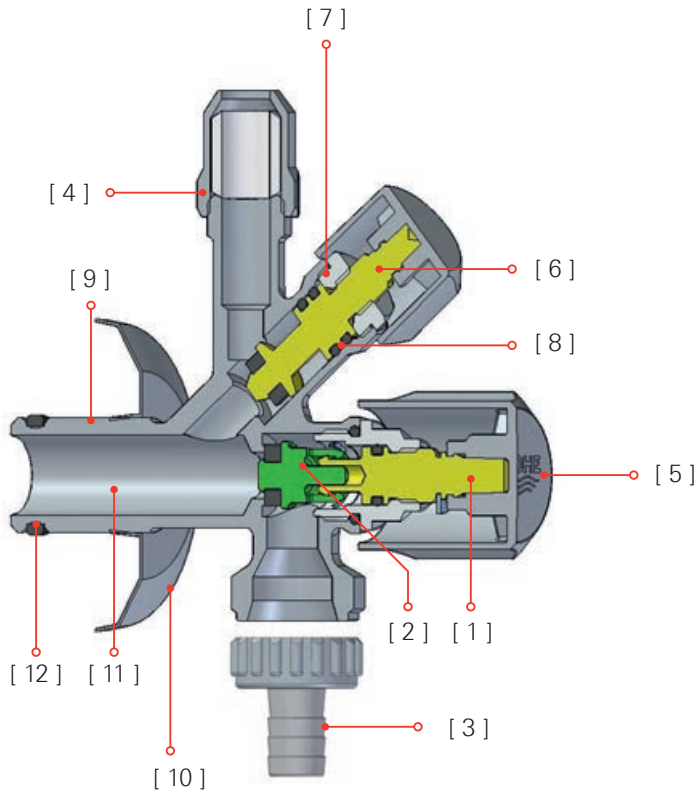


TECHNICAL FEATURES	
Installation on existing service valve	Long-term reliability, thanks to 3/8" grease chamber headpart with integrated non-return valve
With or without pipe-ventilating valve type HB	Intrinsically safe against return flow
Adjustable hose union	



GROHE ORIGINAL WAS® COMBINATION SERVICE VALVES WITH LOCKABLE DEVICE-CONNECTION

GROHE WAS® combination service valves all undergo intensive endurance tests to ensure their technical features guarantee high levels of flexibility and safety:



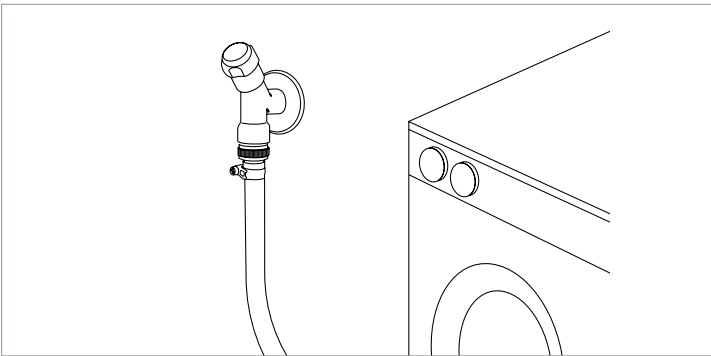
- [1] Water-protected long-life grease chamber head part for long-term smooth operation
- [2] Integrated non-return valve safeguards against reverse suction of water into the drinking water supply
- [3] Hose connection made from robust synthetic material
- [4] Secure connection due to compression coupling for copper pipes (Ø 10mm) or connection thread
- [5] Ergonomic handle design for ease of use
- [6] GROHE Longlife Technology with water-protected brass spindle
- [7] Integrated grease chamber for long-term smooth operation
- [8] Maintenance-free due to double O-ring seal
- [9] Increased installation flexibility due to 18mm connecting shaft
- [10] Solid metal escutcheon with Ø 54mm
- [11] Noise class I (DIN 4109)
- [12] Additionally, the original WAS® combination service valve by GROHE is available with a self-sealing connection thread for fast and easy installation which makes sealing with hemp or Teflon tape unnecessary. The standard version of the connection thread is pre-roughened for easy sealing with hemp.

GROHE WAS® VALVES ORIGINAL WAS® CONNECTING VALVE:

Clever ideas for better connection

Ergonomic operation combined with permanent ease of movement – the inclined-seat version of the original WAS® connecting valve has already proven itself in a wide range of standard applications over many years.

TECHNICAL FEATURES	
Inclined seat headpart for improved access	With or without integral hose-burst protection
Long-term reliability, thanks to 1/2" grease chamber headpart with integrated non-return valve	Intrinsically safe against return flow
With or without pipe-ventilating valve type HB	Connecting valves for electrical hot water units with spacer and under-basin valve for kitchen sinks

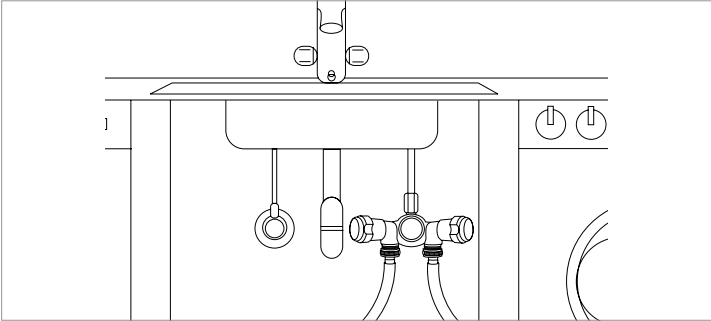


GROHE WAS® VALVES ORIGINAL WAS® – 'SIMPLE' DOUBLE VALVE

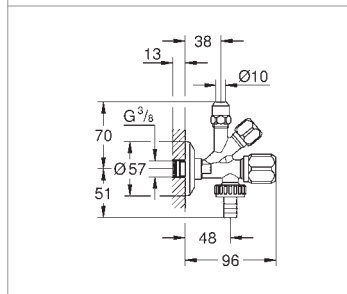
One becomes three

Two individually adjustable hose unions are created by means of a simple replacement. The existing tap can still be used, thanks to the R 1/2" internal thread on the front.

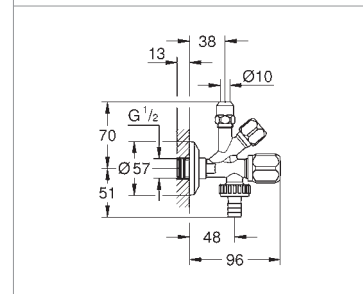
TECHNICAL FEATURES	
Inclined seat headpart for improved access	Optionally available with pipe-ventilating valve, type C construction
Long-term reliability, thanks to 1/2" grease chamber headpart with integrated non-return valve	Intrinsically safe against return flow
	Optionally available with internal thread for continued use



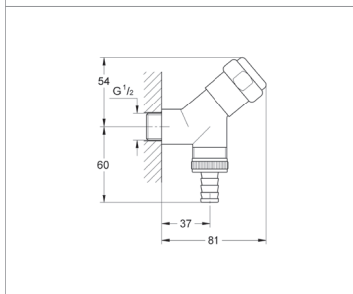
GROHE WAS®-VALVES



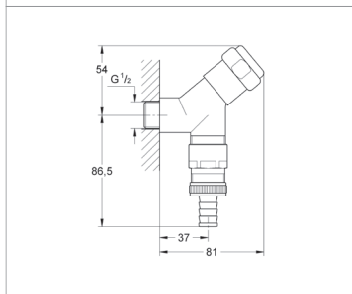
22 034 000*
Original WAS®
combination service
valve 3/8"
 self-sealing connection thread
 wall connection 3/8", outlet 3/8"
 with compression nut Ø 10mm
 outlet 3/4"
22 033 000*
 ditto, non self-sealing



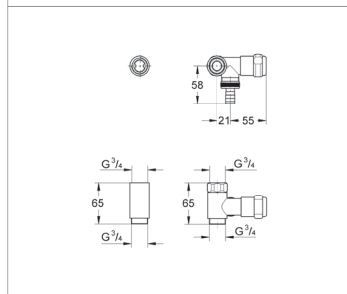
22 036 000*
Original WAS®
combination service
valve 1/2"
 self-sealing connection thread
 wall connection 1/2", outlet 3/8"
 with compression nut Ø 10mm
 outlet 3/4"
22 035 000*
 ditto, non self-sealing



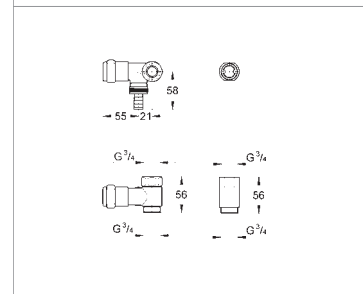
41 010 000
Connecting valve | 1/2"
 wall mounted
 grease chamber headpart 1/2"
 for closable hose connection
 with non-return valve
 protected against backflow



41 015 000
Connecting valve | 1/2"
 wall mounted
 grease chamber headpart 1/2"
 for closable hose connection
 with non-return valve
 protected against backflow
 Integral hose-burst protection



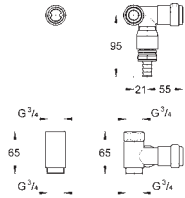
41 043 000
Valve "Mixer" | 3/4"
 wall mounted
 for wall mixers 1/2"
 right-hand connection
 grease chamber headpart 1/2"
 for closable hose connection
 with non-return valve
 protected against backflow



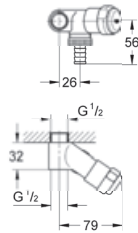
41 040 000
Valve "Mixer" | 3/4"
 wall mounted
 for wall mixers 1/2"
 left-hand connection
 grease chamber headpart 1/2"
 for closable hose connection
 with non-return valve
 protected against backflow

CONNECTION AND
SAFETY TECHNOLOGY

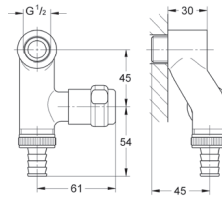
GROHE WAS[®]-VALVES



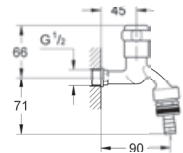
41 045 000
Valve "Mixer" 3/4"
wall mounted
for wall mixers 1/2"
right-hand connection
grease chamber headpart 1/2"
for closable, hose connection
with non-return valve
with pipe-ventilating valve type HB
protected against backflow



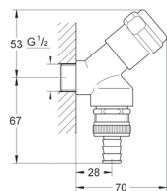
41 091 000
Valve "Simple" 1/2"
wall mounted
grease chamber headpart 1/2"
for closable
hose connection
with non-return valve
protected against backflow



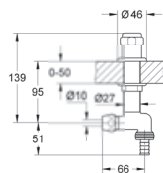
41 110 000
Valve "Electro" 1/2"
wall mounted
grease chamber headpart 3/8"
for closable
hose connection
with non-return valve
protected against backflow



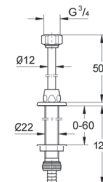
41 154 000
Fitting combination 1/2"
wall mounted
grease chamber headpart 1/2"
for closable
hose connection
with non-return valve
with pipe-ventilating valve type HB



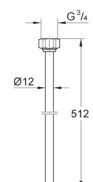
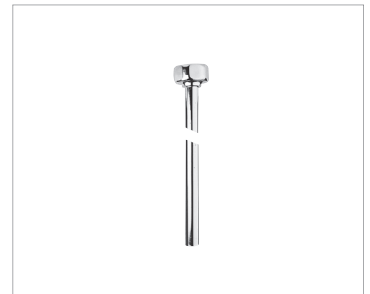
41 190 000
Fitting combination 1/2"
wall mounted
grease chamber headpart 1/2"
for closable
hose connection
with non-return valve
with pipe-ventilating valve type HB
protected against backflow



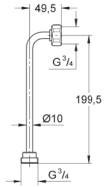
41 050 000
Under-basin valve 1/2"
sink installation
adjustable up to 50 mm
grease chamber headpart 1/2"
for closable
hose connection
with non-return valve
protected against backflow



41 130 000
Connection adapter 1/2"
sink installation
adjustable up to 70 mm
coupling nut 3/4"
connecting pipe diameter 12 mm



41 133 000
Connection pipe 3/4"
coupling nut 3/4"
connecting pipe diameter 12 mm

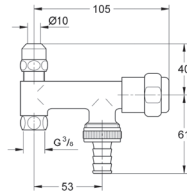


41 004 000

Extension pipe

3/4"

coupling nut 3/4"
male thread 3/4"

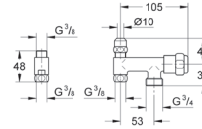


41 030 000

Valve "Eckfix"

3/8"

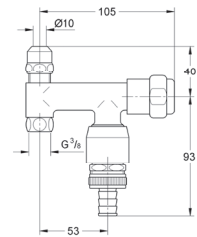
installation on service valve
axis dimension 60 mm
grease chamber headpart 3/8"
for closable
hose connection
with non-return valve
protected against backflow



41 031 000

Eckfix

installation on service valve
axis dimension 60 mm

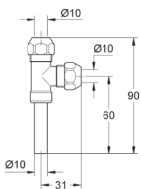


41 033 000

Valve "Eckfix"

3/8"

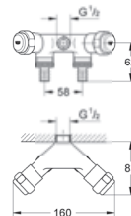
installation on service valve
axis dimension 60 mm
grease chamber headpart 3/8"
for closable
hose connection
with pipe-ventilating valve type HB
protected against backflow



41 007 000

**Original WAS®
T-piece 3/8"**

for service valve
connector set 3/8"

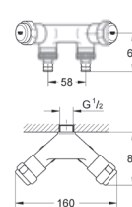


41 020 000

**Double valve
„Simple“**

1/2"

wall mounted
grease chamber headparts 1/2"
for closable
hose connection
with non-return valve
female thread 1/2"
protected against backflow



41 022 000

**Double valve
„Simple“**

1/2"

wall mounted
grease chamber headparts 1/2"
for closable
hose connection
with non-return valve
protected against backflow

GROHE PROTECTIVE FITTINGS SPECIFIC SOLUTIONS TO PROTECT SANITARY INSTALLATIONS

Every drinking-water installation has a unique set of requirements owing to the numerous variations in the number and type of points of discharge, hazards, connected devices and systems. Every installation must have protection that complies with standards to effectively exclude the return flow of waste water into the pipe network.

The GROHE range of anti-vacuum devices, non-return valves and pipe-ventilating valves, as well as protective combinations (combinations of non-return valves and pipe-ventilating valves), includes solutions that are both effective and economical. These protective fittings are designed for intrinsic safety against return flow according to DIN 1988.4 and DIN EN 1717.

Suspended and foreign particles found directly in the drinking water or that are detached from the pipe walls can cause expensive damage. GROHE filters offer effective protection against suspended particles for high-quality faucets, washing machines and dishwashers.

ANTI-VACUUM DEVICES

As soon as negative pressure occurs in the pipe network, air enters it through special openings in these safety devices. The negative pressure is compensated and the water column is interrupted and drops. GROHE anti-vacuum devices for vertical installation are fitted with moving diaphragms, which means that no water can escape through the openings even at the discharge resistance.



NON-RETURN VALVES

Non-return valves are designed specifically for retrofitting. During normal operation, a cone lifts from its seat and opens the water flow. In the event of back pressure or back suction in the pipe network, the cone closes the water flow using a spring. This is therefore a reliable means of preventing contamination of the drinking water. GROHE non-return valves are suitable for vertical or horizontal installation.





PIPE-VENTILATING VALVES

With this protective device for vertical installation, a moving vent plug closes the air inlet openings in the rest position as well as when water is flowing. However, if there is negative pressure in the pipe network, the openings are opened so that the water column is disconnected automatically and back suction of waste water is no longer possible.



PROTECTIVE COMBINATION

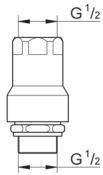
Protective combinations unite the functions of pipe-ventilating valves and non-return valves in one faucet for retrofitting or in a faucet combination. They are generally used in downstream hose unions, e.g. in shower hoses for vertical or horizontal installation.



ORIGINAL WAS® INCLINED FILTER

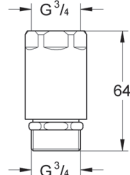
Taps with a hose union for washing machines and dishwashers have become a standard feature in almost every household. Original WAS® inclined filters offer effective protection against damage caused by dirt, thanks to stainless-steel filter inserts with a mesh size of 315 µm and can be used at up to 80 degrees Celsius in a hot-water installation.

GROHE PROTECTIVE FITTINGS



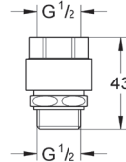
41 230 000

Protective combination 1/2"
Pipe-ventilating valve type HB
construction
vertical installation
for intrinsic safety against return flow
according to DIN 1988.100 and
DIN EN 1717



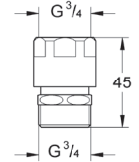
41 231 000

Protective combination 3/4"
Pipe-ventilating valve type HB
construction
vertical installation
for intrinsic safety against return flow
according to DIN 1988.100 and
DIN EN 1717



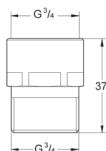
41 238 000

Pipe-ventilating valve 1/2"
Pipe-ventilating valve type HB
vertical installation
for intrinsic safety against return
flow according to DIN 1988.100
and DIN EN 1717



41 239 000

Pipe-ventilating valve 3/4"
Pipe-ventilating valve type HB
vertical installation
for intrinsic safety against return flow
according to DIN 1988.100 and
DIN EN 1717



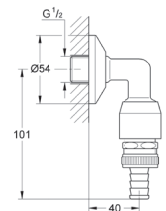
41 001 000

Hose-burst protection 3/4"
for 1/2" hoses
female thread 3/4"
male thread 3/4"



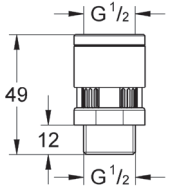
41 270 000

Non-return valve type EB 3/8"
for service valve
connector set 3/8"
coupling nut 3/8"
vertical or horizontal installation
for intrinsic safety against return flow
according to DIN 1988.100 and
DIN EN 1717



41 126 000

**Hose-connecting
elbow** 1/2"
wall mounted
pipe-ventilating valve of type C
construction
protected against backflow



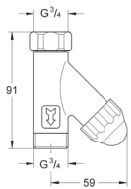
41 176 000

Anti-vacuum device | 1/2"
type DB

male thread 1/2"

female thread 1/2"

for intrinsic safety against return flow
according to DIN 1988.100 and
DIN EN 1717



41 275 000

Inclined filter | 3/4"

suitable for cold and warm water

up to + 80° C

transparent cap

mesh width 315 µm

stainless steel filter insert

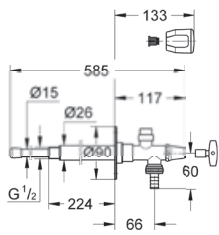
GROHE EUROTEC OUTSIDE WALL VALVES



Burst pipes and problems with the drinking-water supply are a common occurrence during the winter. In garden and outdoor installations, which require water during the warmer months, frost-proof fittings protect against the potentially damaging effects of winter.

Eurotech outside-wall valves from GROHE empty automatically after each use. This prevents damage to the faucet or the pipe as a result of expansion when water freezes. With the single-pipe system, which makes installation easier, the shut-off device is inside the housing; built-in non-return valves protect the drinking water against contamination from waste water in garden hoses, for example. The faucet can easily be protected against manipulation with the aid of a handle with integrated lock.

- Frost-proof fittings for gardens, patios, hotel or park installations
- Automatic running empty with each closing operation
- Easy-to-install single pipe system for frost resistance; shut-off device is located in the interior, which is protected against frost
- Vandalism-protected devices: socket key headpart protected against unauthorised use; rotation lock

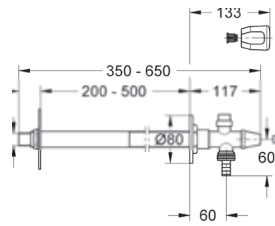


41 212 000

**Eurotec complete
outside wall valve**

1/2"

- frost-proof via automatic draining for each closing operation
- socket spanner and sanitary handle
- red brass valve seat, non-return valve
- installation depth > or equal to 260 mm
- CU connection 15 mm and male thread 1/2"
- through bore 26 mm

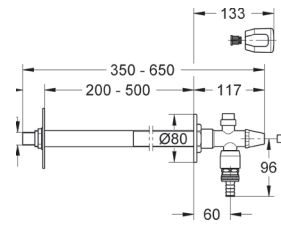


41 208 000

**Eurotec outside
wall valve kit**

1/2

- frost-proof via automatic draining for each closing operation
- socket spanner and sanitary handle
- red brass valve seat, non-return valve
- installation depth of 170 - 500 mm
- CU connection 15 mm and male thread 1/2"
- rotation lock, through bore 32 mm



41 206 000

**Eurotec outside
wall valve kit**

1/2

- frost-proof via automatic draining for each closing operation
- socket spanner and sanitary handle
- red brass valve seat, non-return valve
- installation depth of 170 - 500 mm
- CU connection 15 mm and male thread 1/2"
- rotation lock, through bore 32 mm

TECHNICAL FEATURES

Variable fitting depths from 200 mm to 500 mm	With or without pipe-ventilating valve type HB
Complete product or kit	GROHE StarLight®: highly resistant surface finishes
Intrinsically safe against return flow	



GROHE PROFESSIONAL
WORK SMARTER



GROHE WASTE TECHNOLOGY

CONSISTENCY IN DESIGN – FROM INLET TO OUTLET

The outstanding quality and consistency of the design in the GROHE Professional range, right down to the last detail, even applies to waste technology. The high standards of durability, reliability and aesthetics that our customers have already come to expect from our faucets, thermostats and showers are also applied to our:

- Talentofill bath filler, waste and overflow sets for baths
- Talento waste and overflow sets for baths
- Basin wastes for wash basins
- Bottle traps for under-basin installation.

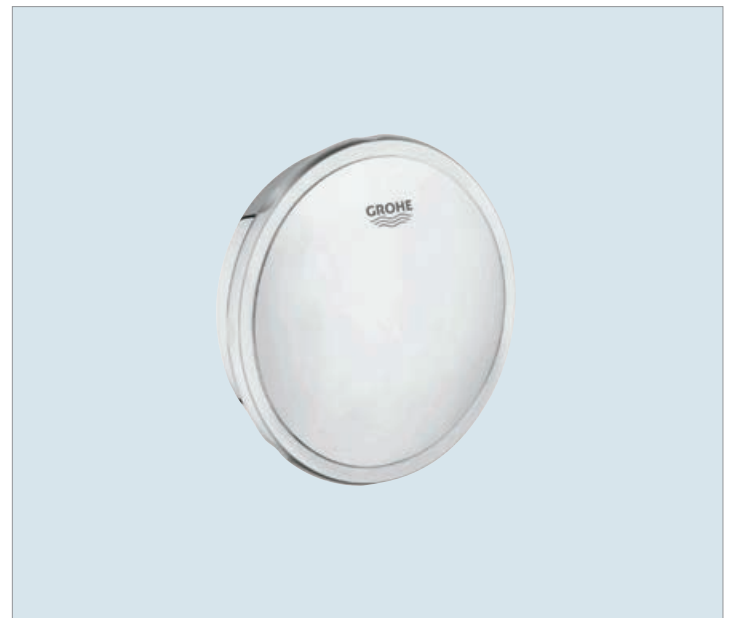
Many of these products are available with durable surface aesthetics, such as GROHE StarLight® chrome, Velvet, Velvet Black, Moon White or Titanium, so that they blend in consistently and harmoniously with the faucets and other elements in the bathroom. Quick and easy installation is the hallmark of the entire GROHE waste-technology range.

GROHE WASTE TECHNOLOGY OVERVIEW

TALENTOFILL

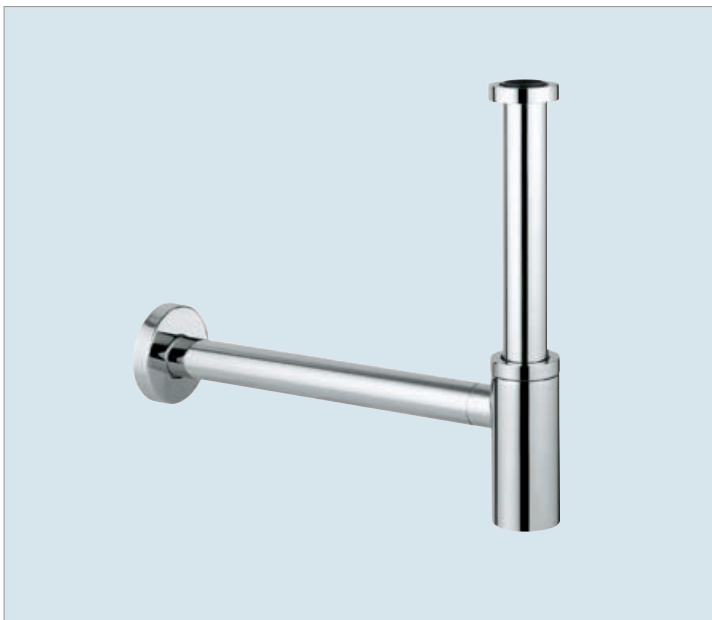


TALENTO





BASIN WASTES



DESIGN BOTTLE TRAPS

GROHE TALENTOFILL



Talentofill is a discreet and elegant solution for filling the bath. The ‚gentle‘ water inlet with the three-way mousseur pack on the waste and overflow valve produces a high flow rate of 27 l/min., yet is exceptionally quiet.

The Talentofill bath filler, waste and overflow sets for baths can thus be used to replace a conventional, separate bath inlet with minimal installation effort. To match the selected faucets and other elements in the bathroom, Talentofill sets for final installation, with their timeless modern design, are also surface finishes, such as GROHE StarLight® chrome and Velvet Black.

To prevent the possible back suction of bath water into the drinking water installation through the bath inlet, a built-in protective device is available for both the concealed single-lever mixer Rapido E and the concealed thermostatic mixer Rapido T. There's no need for external anti-vacuum device.

A safe and clean solution which is installed in no time. For all other kinds of installation GROHE offers a connection set with pipe interruptor.



Integrated safety equipment available for Rapido T thermostat.

Integrated safety equipment available for Rapido E single-lever mixer.



- Product solutions for normal and special baths available
- Sub-construction for basic installation and final installation set for fine installation can be ordered separately
- Easy adaptation to all bath forms by means of an infinitely adjustable inlet and overflow as well as by means of a freely rotatable siphon

GROHE TALENTO



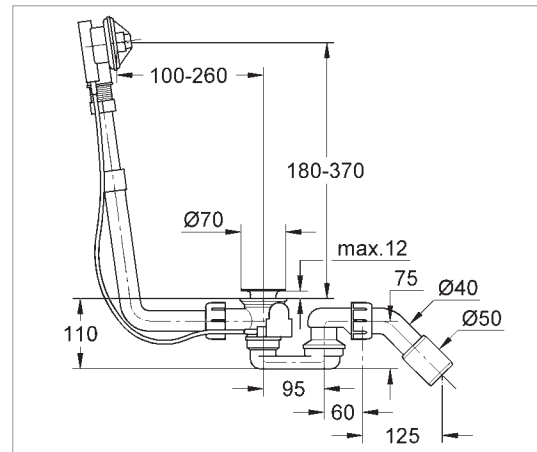
GROHE offers a range of Talento waste and overflow sets to suit both standard baths and baths with special sizes and dimensions. Quick, reliable fitting with an installation height of just 110 mm and DN 40 or DN 50 connection options are a unique feature of the proven Talento waste technology. Infinitely adjustable swivel spouts make installation easier.

The large, round handle is ergonomically designed, allowing the waste to be opened or closed with a quarter turn.

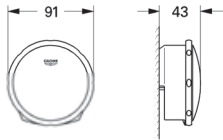


Easy adaptation to all bath forms – for normal as well as for special baths – is possible without any problems by means of an infinitely adjustable overflow.

Trouble-free installation due to the space-saving installation height of just 110 mm, DN40 and DN50 connection options are prepared.



GROHE TALENTOFILL / TALENTO

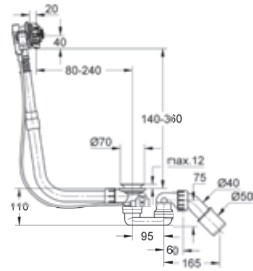


19 952 000

Talentofill

Inlet-, pop-up and waste-system set for final installation consisting of:
escutcheon, supply part
waste plug, fixing set

in combination with Talentofill 28 990/28 991

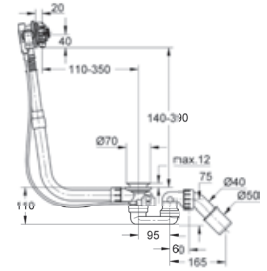


28 990 000

Talentofill

Inlet-, pop-up and waste-system for normal bath tubs with bottle trap and 45°-outlet-bend without anti-vacuum device

installation acc. to DIN 1988 only with anti-vacuum device (29 007 / 29 008) or Talentofill connection set (28 995)

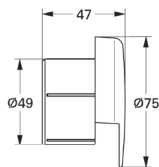


28 991 000

Talentofill

Inlet-, pop-up and waste-system for body formed bath tubs with bottle trap and 45°-outlet-bend without anti-vacuum device

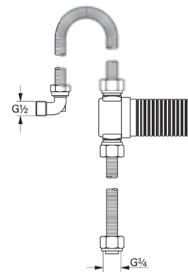
installation acc. to DIN 1988 only with anti-vacuum device (29 007 / 29 008) or Talentofill connection set (28 995)



19 954 000

Talentofill

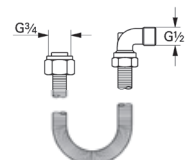
Escutcheon for connection set 28 995



28 995 000

Talentofill

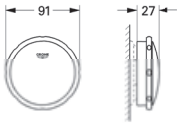
Connection set 3/4" with concealed anti-vacuum device consisting of:
- concealed pipe interrupter (A2 type, DIN 1988, part IV)
- 3.5 m flexible connection pipe (in 2 parts) without escutcheon (19 954)



28 993 000

Talentofill

Connection set 3/4" with 1.5 m-flexible connection pipe



19 025 000

Talento

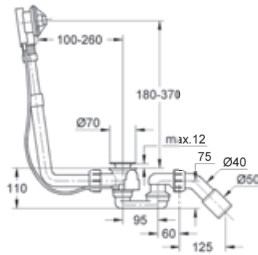
Waste and overflow set for bath tubes set for final installation

consisting of:

escutcheon

waste plug

fixing set



28 939 000

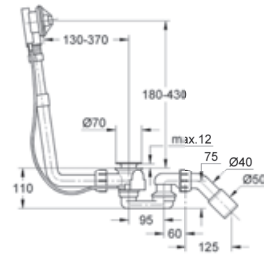
Talento

Pop-up bath waste and overflow set for normal bath and deep shower trays

with bowden cable

bottle trap

45° waste elbow



28 943 000

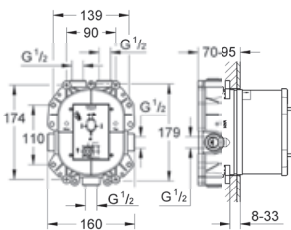
Talento

Pop-up bath waste and overflow set for special baths

with bowden cable

bottle trap

45° waste elbow



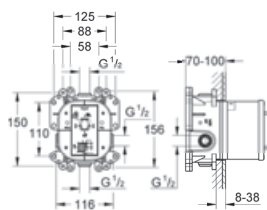
35 500 000

Rapido T

Universal thermostatic mixer

for concealed installation

for use with bath-, shower- and central-mixer



35 501 000

Rapido E

Universal single-lever mixer

for concealed installation

for use with bath- and shower-mixer



29 007 000

Rapido T

Safety combination (DIN EN 1717)

Re-fitting-set for backflow protection,

for use with inlet- pop-up and waste-sets

29 008 000

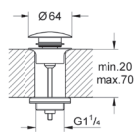
Rapido E

Safety combination (DIN EN 1717)

GROHE BASIN WASTE

BASIN WASTE WITH EASY OPERATION

Using the waste for the wash basin is child's play. It opens and closes with a simple push of the finger. With its stylish and attractive design, this variant can be combined with a wide range of GROHE design faucets.

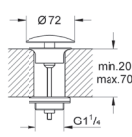


65 807 000

Waste fitting
with push-open cover
removable cover
closable

BASIN WASTE WITH UNIVERSAL COVER

This Basin Waste is designed for wash basins without an overflow. The water can flow away at any time; the outlet is covered by an attractive, closed cover plate, which can be used for all faucets and wash basins.

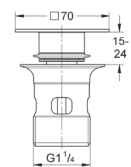


65 808 000

Waste vent 1 1/4"
for wash basins without overflow
removable cover
non-closable

BASIN WASTE WITH CLEAN LINES

Modern, geometric design vocabulary, with corners and edges' characterises this design valve, which perfectly complements rectangular GROHE faucets such as Eurocube, Allure Brilliant or Quadra.



40 565 000

Plug incl. cup
for standard pop-up waste set 1 1/4"

GROHE BOTTLE TRAP

BOTTLE TRAP CYLINDRICAL

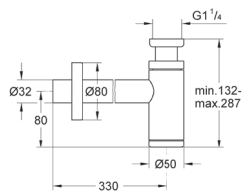
The cylindrical shape of this bottle trap is simple, modern and sophisticated. The large adjustment range highlights the simplicity of installation, while the practical cap makes cleaning and inspection easier.

BOTTLE TRAP RECTANGULAR

Precisely adapted to the rectangular shapes of GROHE faucets such as Eurocube, Allure Brilliant and Quadra, this bottle trap is the perfect addition to a modern wash basin.

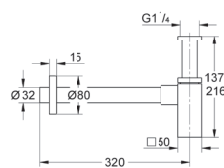
BOTTLE TRAP CLASSIC

As an entry model with air inlet and wall escutcheon, this universal bottle trap is the tried-and-tested classic for the modern bathroom.



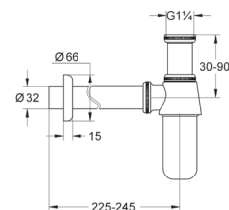
28 912 000

Trap 1 1/4"
for basins
brass
(screw-top for cleaning)
large sliding escutcheon



40 564 000

Trap
for basins
brass
large sliding escutcheon



28 920 000

Trap 1 1/4"
for basins
brass
sliding escutcheon

GROHE PROFESSIONAL
WORK SMARTER





PLANNING INFORMATION GROHE FREESTANDING BATH SPOUTS

For designs in combination with free-standing baths or quite simply for a water centrepiece, free-standing bath spouts emphasise high-quality features in the bathroom. GROHE offers a wide range of choice in all design styles to cater for all requirements.

- The attractive design creates a high-quality, eye-catching feature
- A wide range of design options
- Flexible, digital operation when used with the GROHE F-Digital
- Robust surfaces with a brilliant, glossy finish

For a full list of GROHE products please ask for our brochures or visit [grohe.com](https://www.grohe.com)

PLANNING INFORMATION GROHE FREESTANDING BATH SPOUT WITH INTEGRATED MIXER

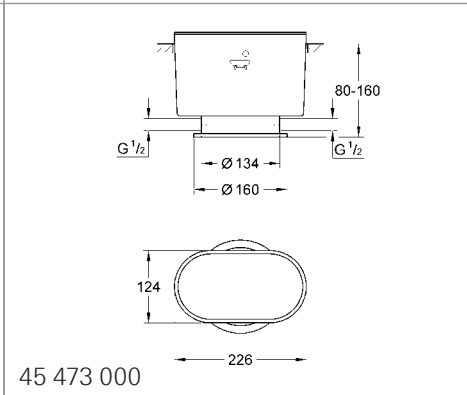
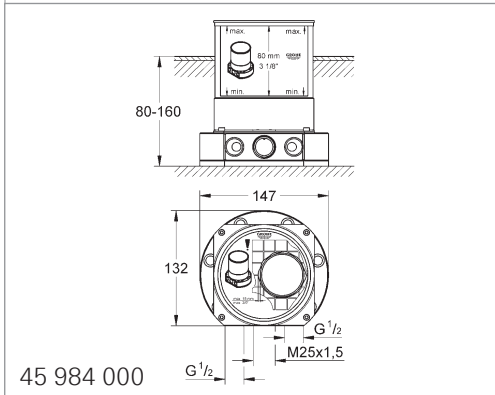
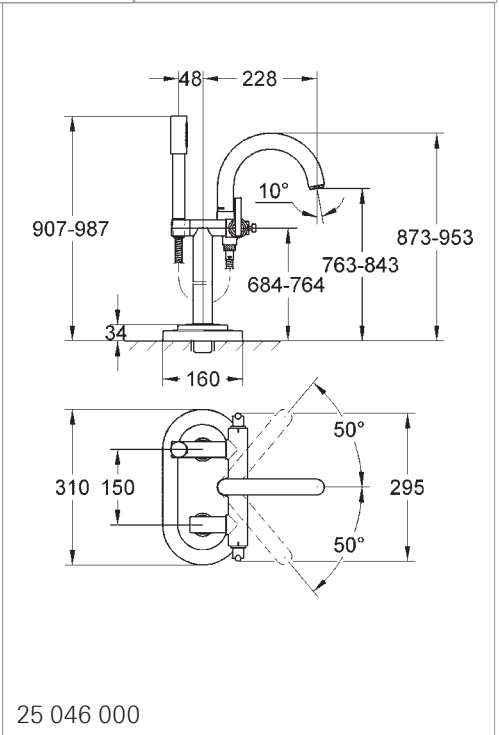
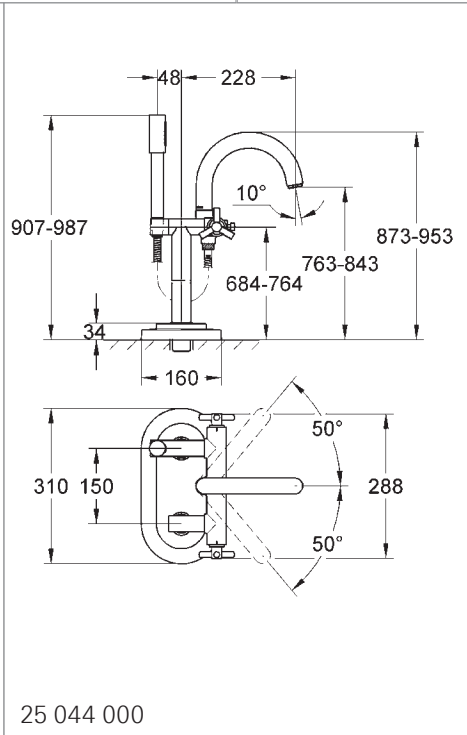
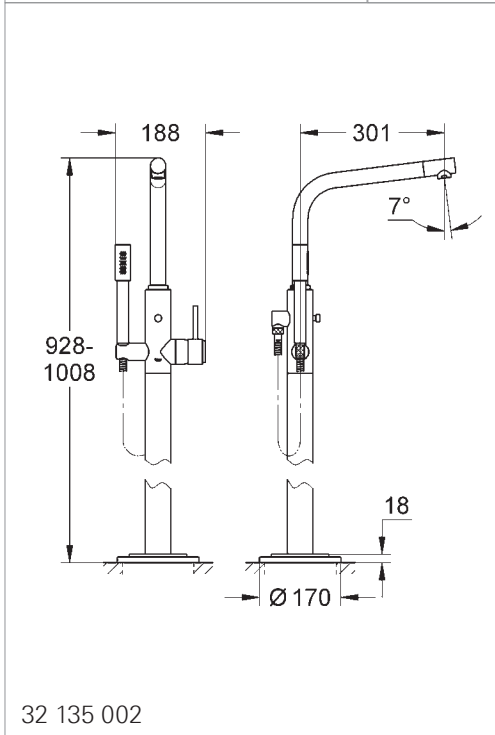
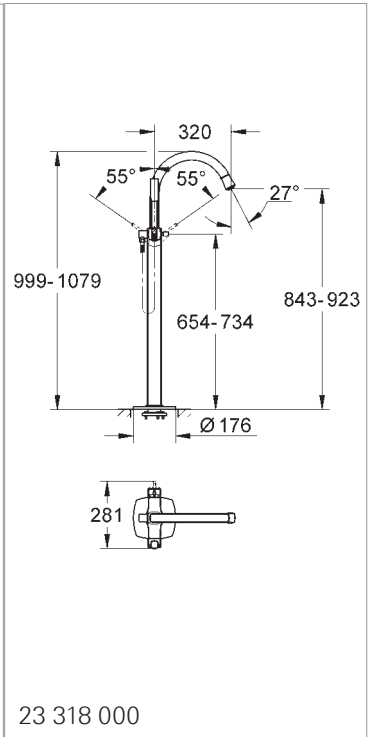
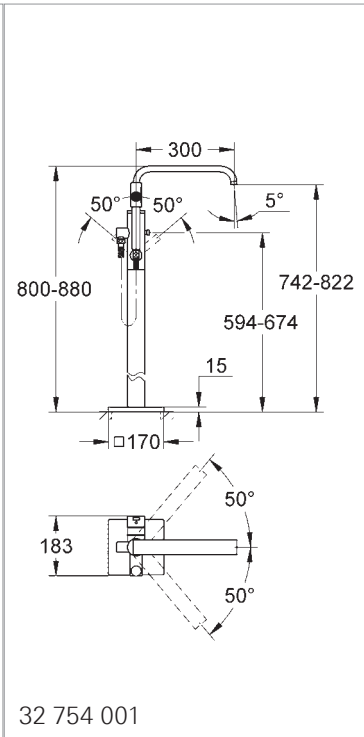
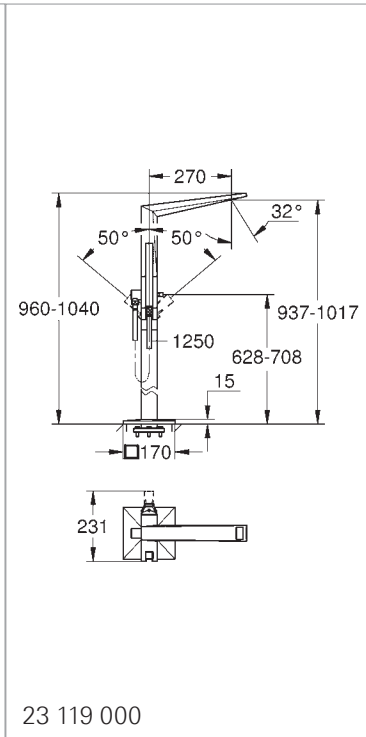
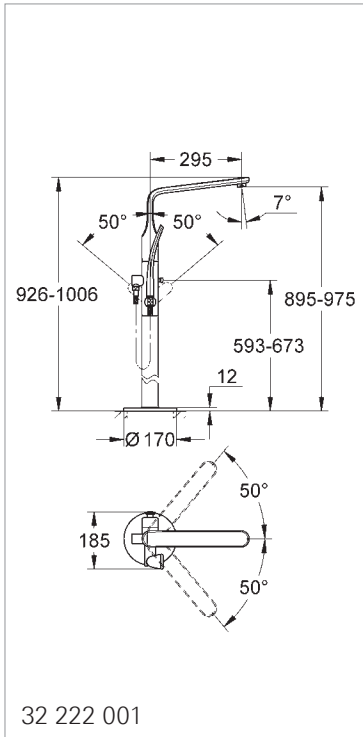


Free-standing bath mixer fittings are enjoying increasing popularity in generously proportioned bathrooms. Particularly when combined with a free-standing bath, this method of supplying water is a feast for the eyes. GROHE offers a variety of design options as single-lever or two-handle mixers.

With these, the supply and control of water is integrated virtually directly into the free-standing bath spout. The shower connection and the bracket for the hand shower are also integrated into the “Freestander”.

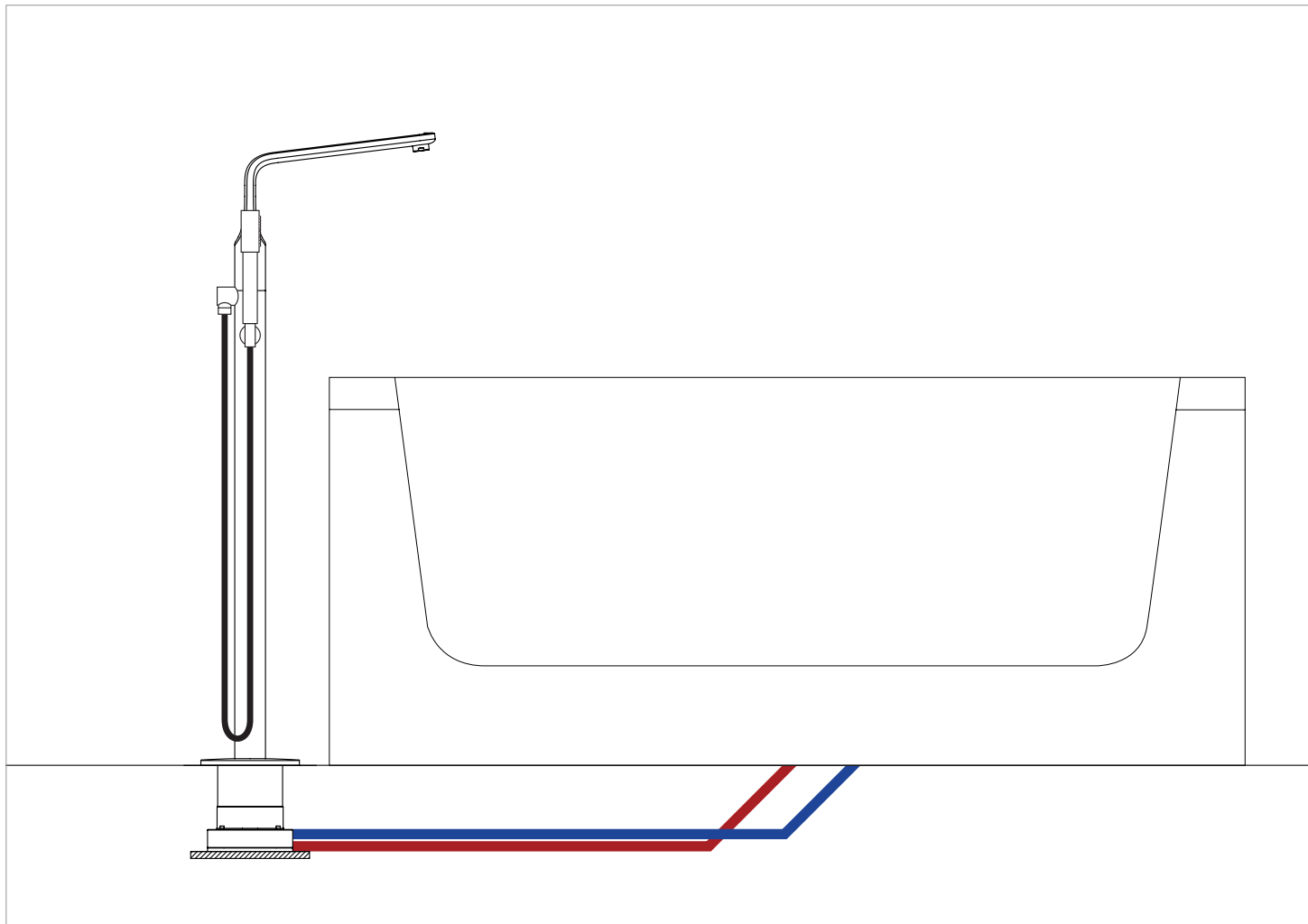
RANGE OF PRODUCTS

- 32 222 001 Veris Single-lever bath/shower mixer
- 23 119 000 Allure Brilliant
Single-lever bath/shower mixer
- 32 754 001 Allure Single-lever bath/shower mixer
- 32 135 002 Atrio 7° Single-lever bath/shower mixer
- 25 044 000 Atrio 7° Single-lever bath/shower mixer
- 25 046 000 Atrio Single-lever bath/shower mixer
- 23 318 000 Grandera Single-lever bath/shower mixer
- 45 984 000 Roughing-in set for floor-mounted bath spout and single-lever bath/shower mixer without finishing trim set
- 45 473 000 Roughing-in set
(for 25 044 000 + 25 046 000) for stand-alone bath mixer without finishing trim set



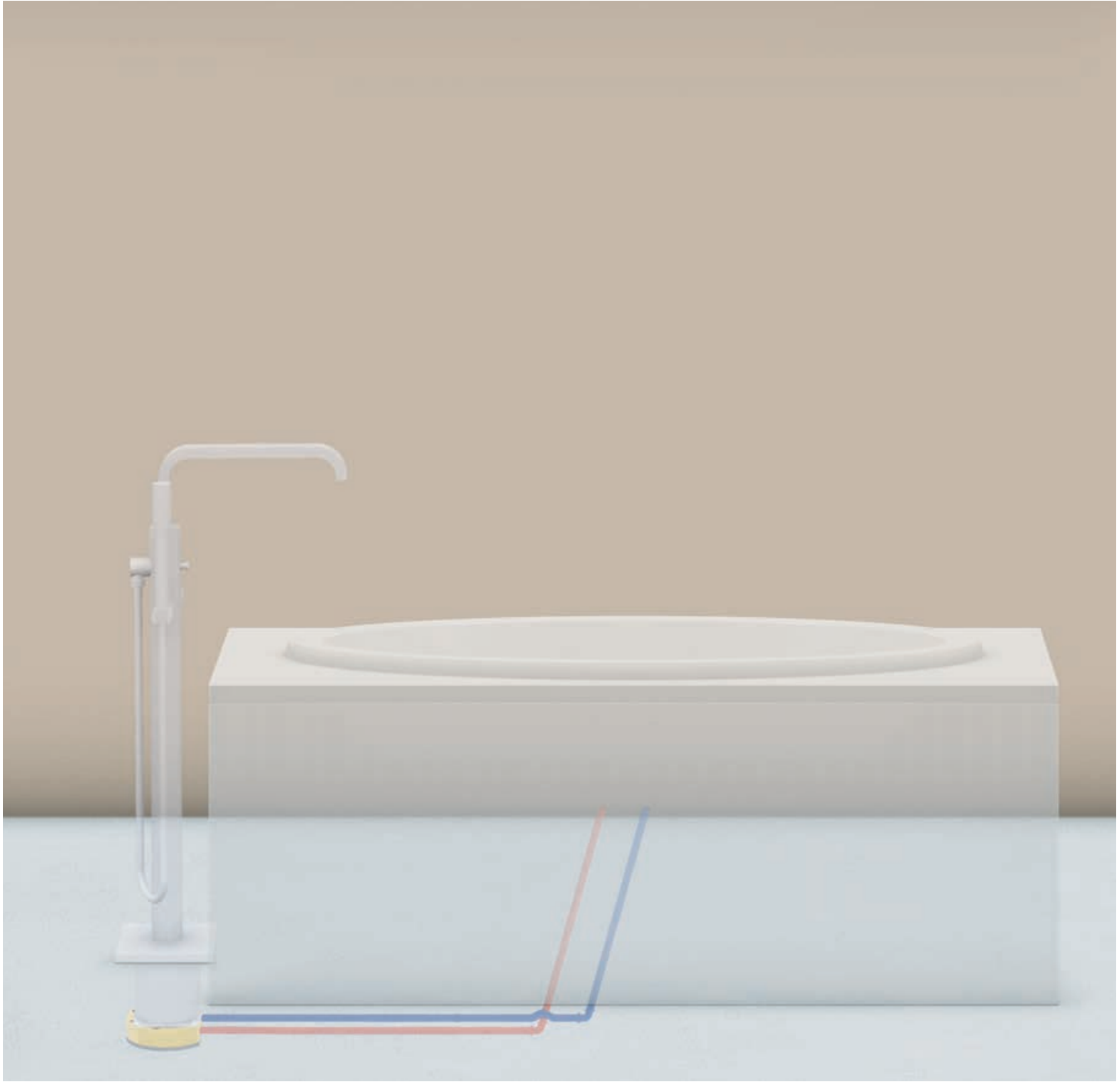
PLANNING INFORMATION

GROHE FREESTANDING BATH SPOUT WITH INTEGRATED MIXER

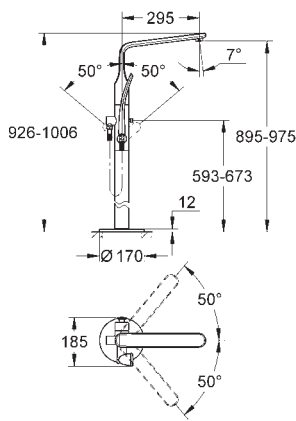


TIPS FOR PLANNING

- The GROHE Universal roughing-in set 45 984 000 is compatible with all free-standing single-lever mixers and can be used for all free-standing bath spouts.
- The flush-mounted unit offers horizontal and radial compensation with an installation depth of 80 to 160 mm from the finished floor.
- This solid base is fixed to the unfinished floor with 6 fixing screws.
- To prevent noise transmission to the building structure, the roughing-in set includes a decoupling mat, which is installed between the mixer base and the unfinished floor.
- The cold water is connected on the right of the base, and the hot water on the left.
- To prevent installation errors, the connections are marked blue and red.
- To test the pressure of the unfinished installation, the roughing-in set is supplied with a sealing plug that is replaced with the enclosed drain stopper for flushing in accordance with DIN 1988/EN 806.
- Roughing-in set 45 473 000 must be used in combination with the double-handle fittings in the GROHE Atrio range. Fabrication is the same as for single-lever mixers.
- Note: Do not shorten the installation template before installation is complete.



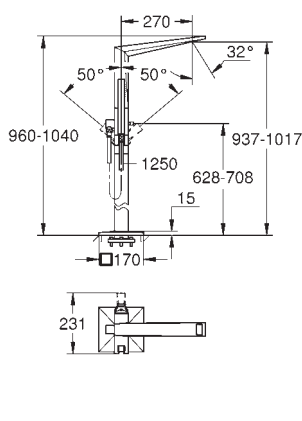
PLANNING INFORMATION GROHE FREESTANDING BATH SPOUT WITH INTEGRATED MIXER



32 222 001

Veris

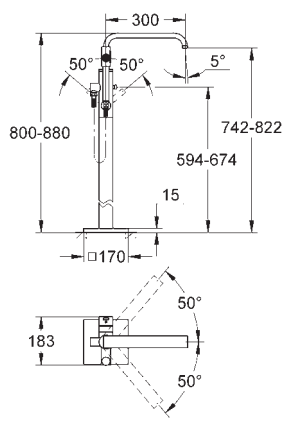
Single-lever bath/shower mixer
floor-mounted
set for final installation for 45 984 000
without roughing-in-set
swivel spout with mousseur and
stop limiter
automatic diverter: bath/shower
integrated non-return valve in the
shower outlet 1/2"
with shower holder
hand shower 27 184 000
shower hose 1500 mm
protected against backflow
min. recommended pressure 1.0 bar



23 119 000

Allure Brilliant

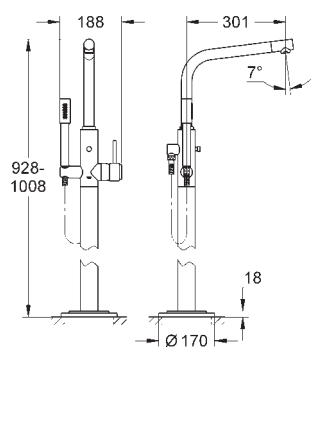
Single-lever bath/shower mixer
floor-mounted
set for final installation for 45 984 000
without roughing-in-set
automatic diverter: bath/shower
spout with integrated mousseur
integrated non-return valve in the
shower outlet 1/2"
metal shower hose 1500 mm
with shower holder
protected against backflow
hand shower Euphoria Cube+
min. recommended pressure 1.0 bar



32 754 001

Allure

Single-lever bath/shower mixer
floor-mounted
set for final installation for 45 984 000
without roughing-in-set
swivel spout with mousseur and
stop limiter
automatic diverter: bath/shower
integrated non-return valve in the
shower outlet 1/2"
with shower holder
Sena hand shower
shower hose 1500 mm
protected against backflow
min. recommended pressure 1.0 bar

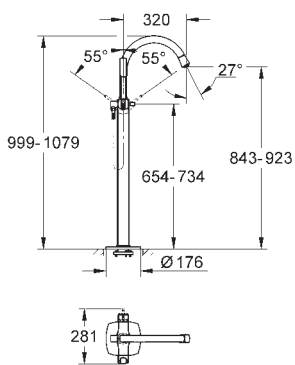


32 135 002

Atrio 7°

Single-lever bath/shower mixer
floor-mounted
set for final installation for 45 984 000
without roughing-in-set
adjustable flow rate limiter
swivel tubular 7° spout
with mousseur and stop limiter
automatic diverter: bath/shower
integrated non-return valve in the
shower outlet 1/2"
with shower holder
Sena hand shower (28 034 000)
shower hose 1500 mm
protected against backflow
min. recommended pressure 1.0 bar

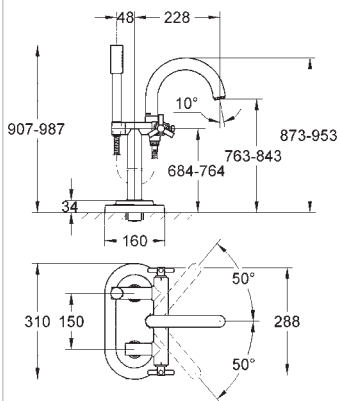




23 318 000/23 318 IGO

Grandera

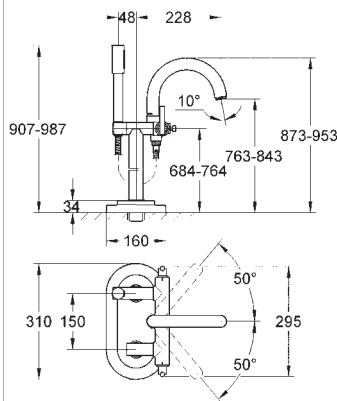
Single-lever bath mixer 1/2" floor-mounted
 set for final installation for 45 984 000 without roughing-in set
 automatic diverter: bath/shower spout with mousseur
 projection 320 mm
 integrated non-return valves in the shower outlet 1/2"
 with shower holder
 Grandera hand shower 7,6 l
 metal shower hose 1250 mm
 protected against backflow
 min. recommended pressure 1.0 bar



25 044 000

Atrio

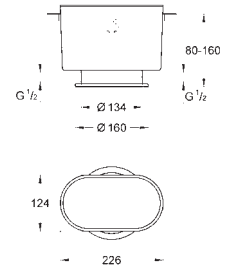
Bath/shower mixer floor-mounted with high pillar unions (765 mm)
 set for final installation for 45 473 000 without roughing-in-set
 swivel spout with mousseur and stop limiter
 automatic diverter: bath/shower integrated non-return valve in the shower outlet 1/2", shower holder Sena hand shower
 ceramic headparts 1/2" - 90°
 shower hose 1500 mm
 protected against backflow
 min. recommended pressure 1.0 bar with Ypsilon handle



25 044 000

Atrio

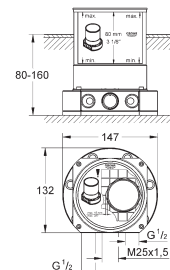
Bath/shower mixer floor-mounted with high pillar unions (765 mm)
 set for final installation for 45 473 000 without roughing-in-set
 swivel spout with mousseur and stop limiter
 automatic diverter: bath/shower integrated non-return valve in the shower outlet 1/2", shower holder Sena hand shower
 ceramic headparts 1/2" - 90°
 shower hose 1500 mm
 protected against backflow
 min. recommended pressure 1.0 bar with Jota handle



45 473 000

Roughing-in set

(for 25 044 000 + 25 046 000)
 for stand-alone bath mixer
 without finishing trim set
 installation plate for precise fitting
 floor equalization 80 - 160 mm
 1/2" connections (hot/cold-supplies)
 plug, fixing material



45 984 000

Roughing-in set

for floor-mounted bath spout and single-lever bath/shower mixer
 without finishing trim set
 installation plate for precise fitting
 floor equalization 80 - 160 mm
 1/2" connections (hot/cold-supplies)
 plug, fixing material

PLANNING INFORMATION GROHE CONCEALED INSTALLATION WITH FREESTANDING SPOUT



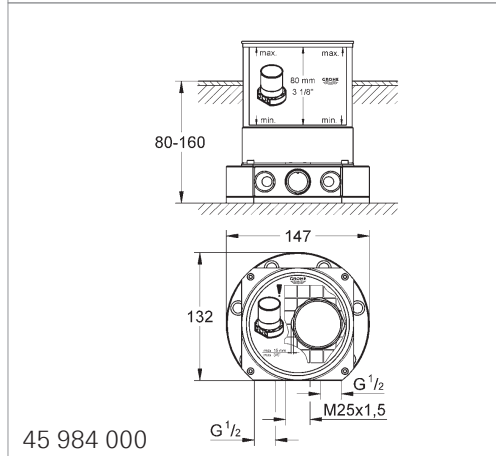
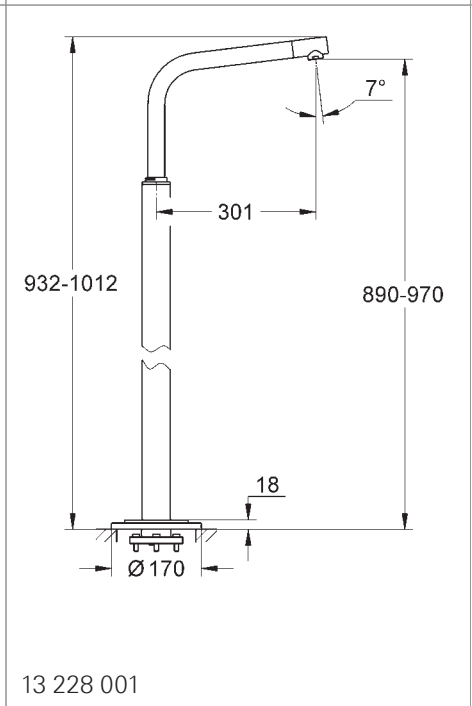
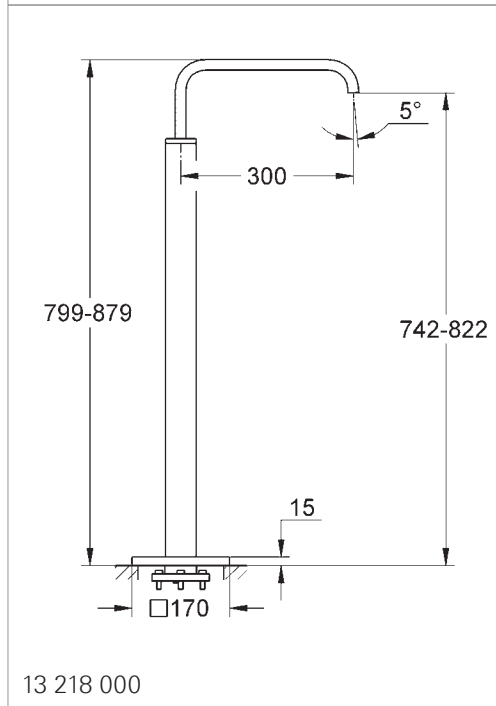
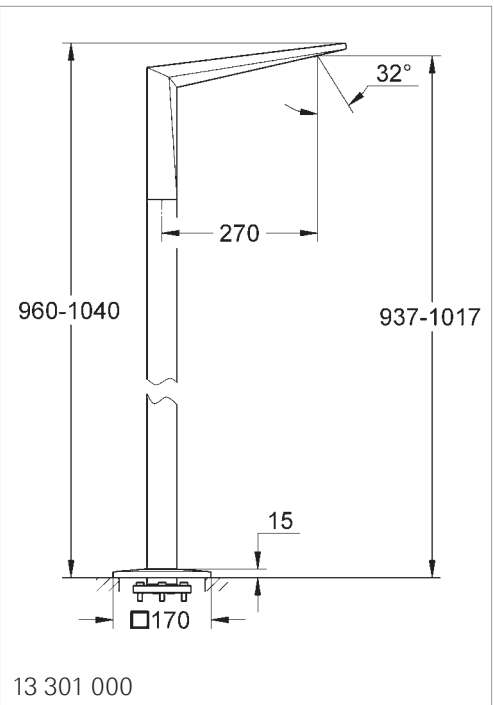
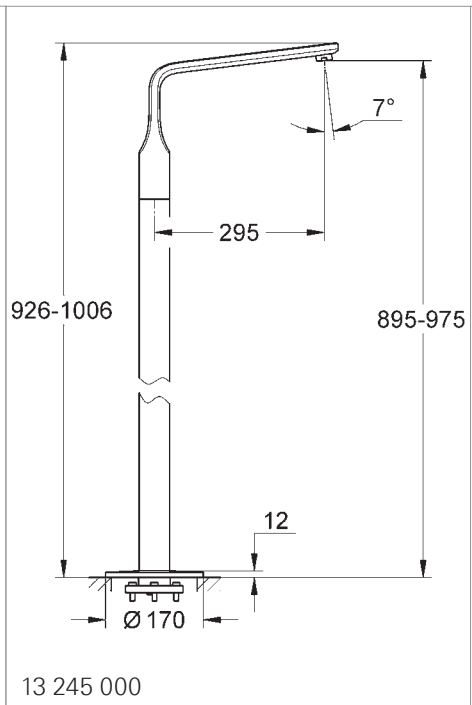
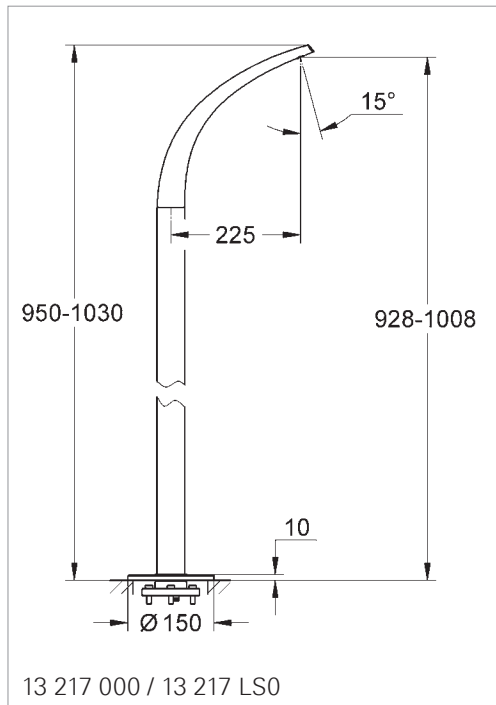
For designs in combination with free-standing baths or quite simply for a water centrepiece, free-standing bath spouts emphasise high-quality features in the bathroom. GROHE offers a wide range of choice in all design styles to cater for all requirements.

The water supply and control are managed by a GROHE Rapido concealed mixing valve, which maximises convenience and safety for the user when selecting a thermostatic mixing valve.

The combination offers even more operational flexibility with digital water control via radio transmission. You can find more information in the design section of GROHE F-digital.

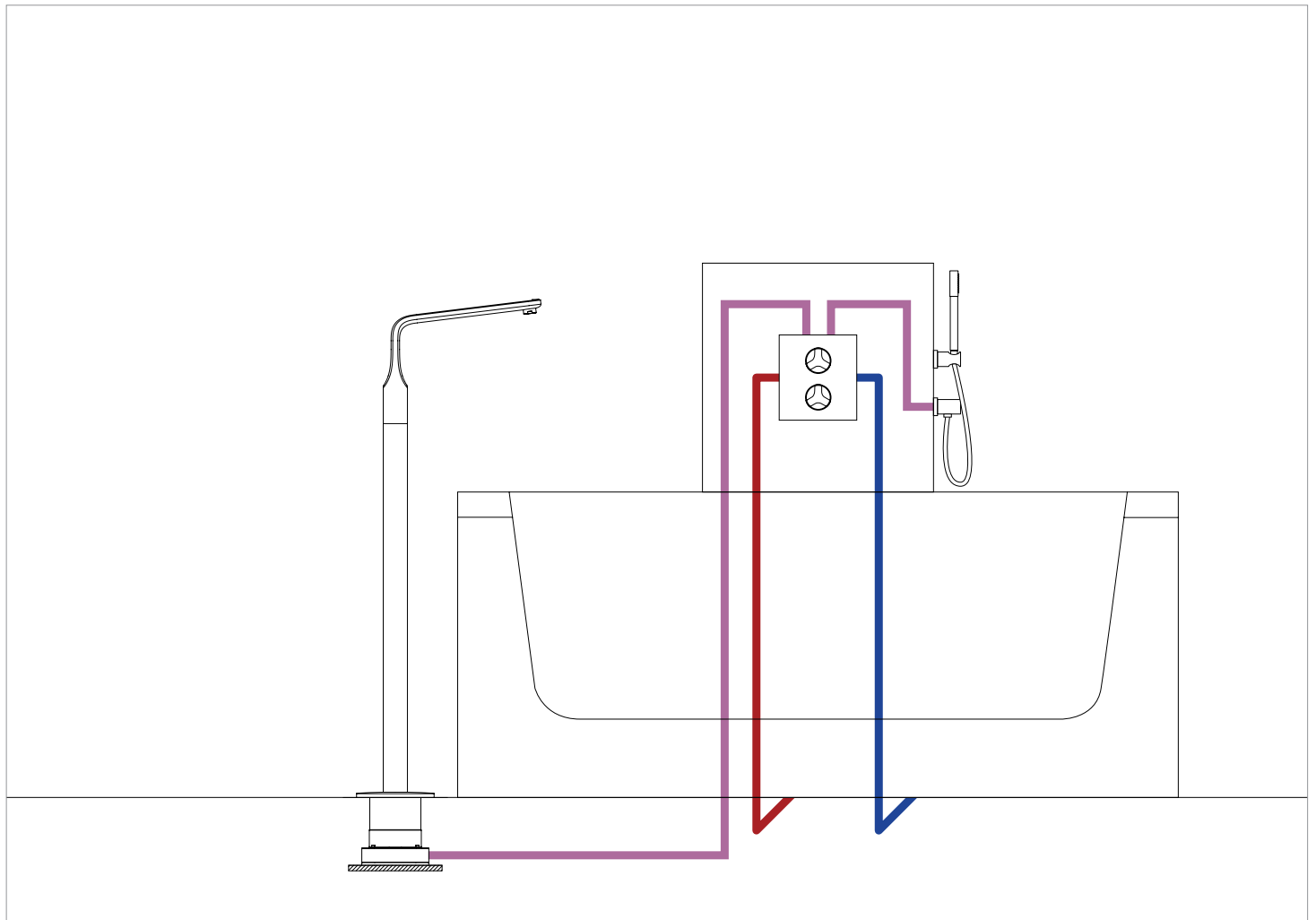
RANGE OF PRODUCTS

- 13 217 000 GROHE Ondus Bath spout
- 13 245 000 GROHE Veris Bath spout
- 13 301 000 GROHE Allure Brilliant Bath spout
- 13 218 000 GROHE Allure Bath spout
- 13 228 001 GROHE Atrio 7° Bath spout
- 13 216 001 GROHE Atrio Bath spout
- 45 984 000 Roughing-in set or floor-mounted bath spout and single-lever bath/shower mixer without finishing trim set



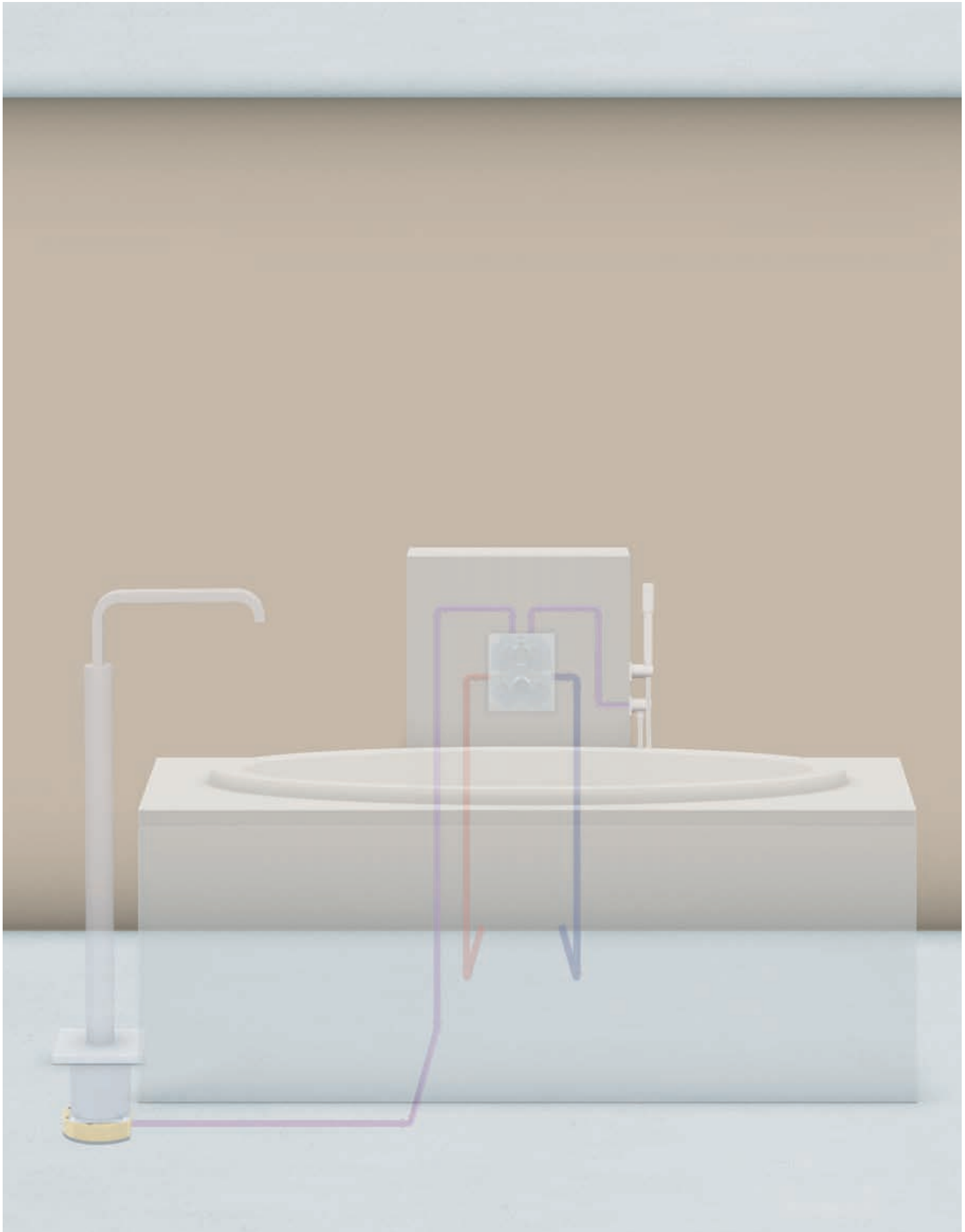
PLANNING INFORMATION

GROHE CONCEALED INSTALLATION WITH FREESTANDING SPOUT

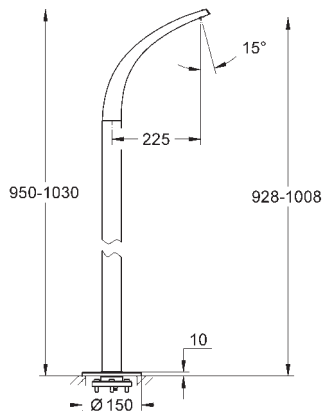


TIPS FOR PLANNING

- The GROHE Universal 45 948 000 roughing-in set is compatible with all free-standing bath spouts.
- The flush-mounted unit offers horizontal and radial compensation with an installation depth of 80 to 160 mm from the finished floor.
- This solid base is fixed to the unfinished floor with 6 fixing screws.
- To prevent noise transmission to the building structure, the roughing-in set includes a decoupling mat which is installed between the mixer base and the unfinished floor.
- The mixed water pipe can either be connected on the right or the left connection.
- To test the pressure of the unfinished installation, the roughing-in set is supplied with a sealing plug that is replaced with the enclosed drain stopper for flushing in accordance with DIN 1988/EN 806.
- Note: Do not shorten the installation template before installation is complete.



PLANNING INFORMATION GROHE CONCEALED INSTALLATION WITH FREESTANDING SPOUT



13 217 000

GROHE Ondus

Bath spout

floor-mounted

set for final installation for 45 984 000

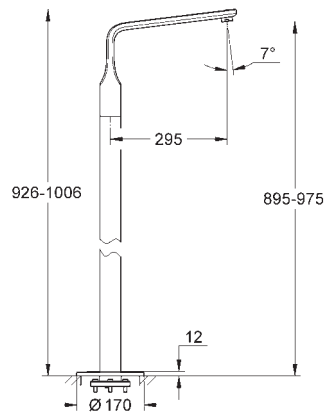
without roughing-in-set

projection 225 mm

total height 1034 mm

GROHE Ondus flow straightener

min. recommended pressure 1.0 bar



13 245 000

Veris

Bath spout

floor-mounted

set for final installation for 45 984 000

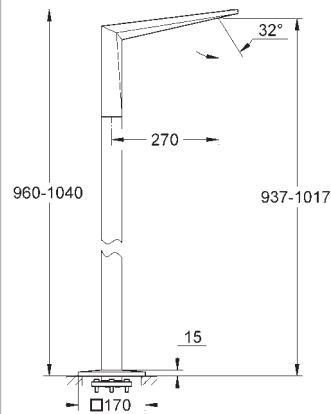
without roughing-in-set

spout with mousseur

projection 295 mm

total height 1037 mm

min. recommended pressure 1.0 bar



13 301 000

Allure Brilliant

Bath spout

floor-mounted

set for final installation for 45 984 000

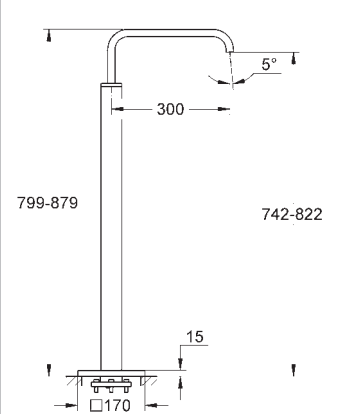
without roughing-in-set

spout with integrated mousseur

projection 270 mm

total height 1070 mm

min. recommended pressure 1.0 bar



13 218 000

Allure

Bath spout

floor-mounted

set for final installation for 45 984 000

without roughing-in-set

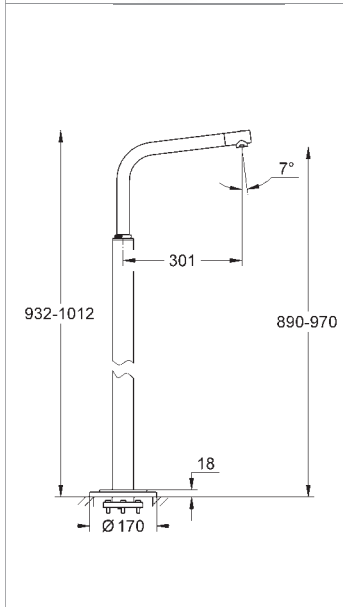
spout with mousseur

projection 300 mm

total height 910 mm

min. recommended pressure 1.0 bar

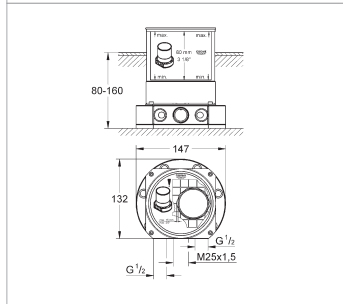




13 228 001

Atrio 7°

- Bath spout
- floor-mounted
- set for final installation for 45 984 000
- without roughing-in-set
- projection 300 mm
- 7° - spout
- swivelling
- mousseur
- total height 1043 mm
- min. recommended pressure 1.0 bar



45 984 000

Roughing-in set

- for floor-mounted bath spout and
- single-lever bath/shower mixer
- without finishing trim set
- installation plate for precise fitting
- floor equalization 80 - 160 mm
- 1/2" connections (hot/cold-supplies)
- plug
- fixing material





PLANNING INFORMATION GROHE F-DIGITAL

GROHE F-digital embraces wireless technology to bring design freedom and installation flexibility to the bathroom and kitchen.

Based on a modular concept, the battery-powered Digital Controller and Digital Diverter open up a world of planning opportunities. The collection is the only modular digital range in the market to offer coordinated products for all draw-off points and has already won the prestigious red dot 'best of the best' product design award.

On the following pages you will find planning suggestions with installation diagrams, created to highlight the adaptability of the collection, inspire the design, planning and installation process.

GROHE F-digital: Wireless Control. Right on the button.

- Maximum design freedom and installation flexibility to the bathroom and kitchen
- Both the Digital Controller and the Digital Diverter are battery powered and can be positioned in the most convenient location for the user
- Modular product range with consistent design
- Using the controller is both intuitive and simple ensuring maximum comfort and control of the water flow.
- Award-winnig design

For a full list of GROHE products please ask for our brochures or visit [grohe.com](https://www.grohe.com)

PLANNING INFORMATION GROHE F-DIGITAL WASH BASIN WITH DECK-MOUNTED SPOUT



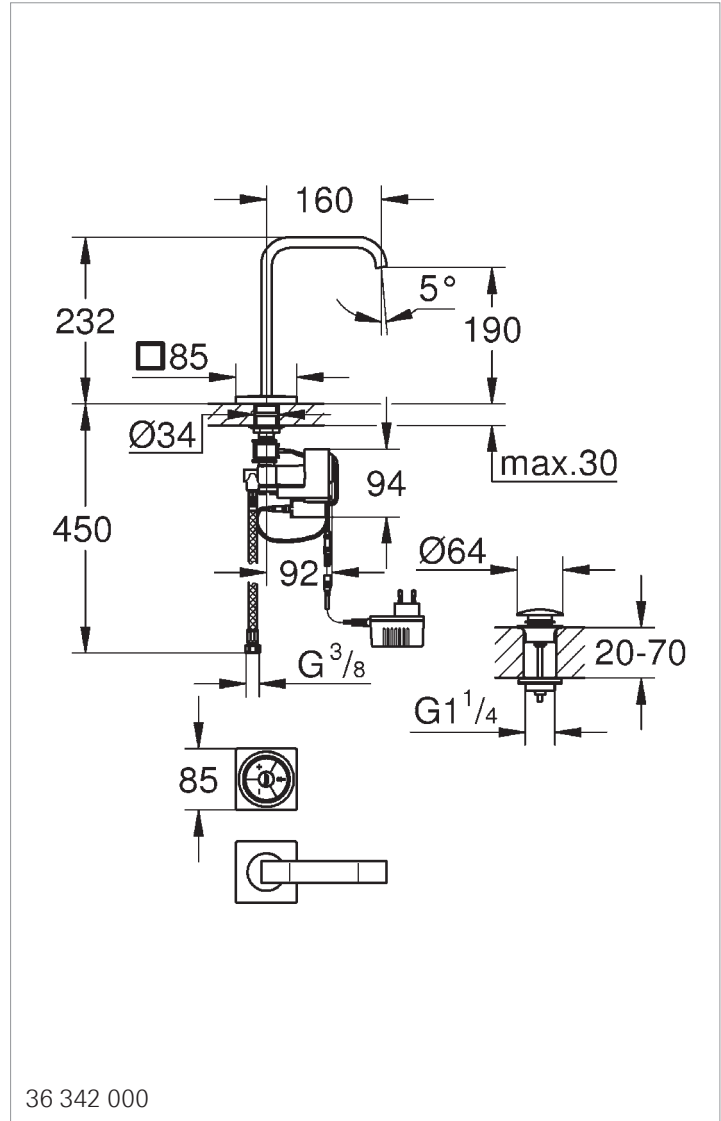
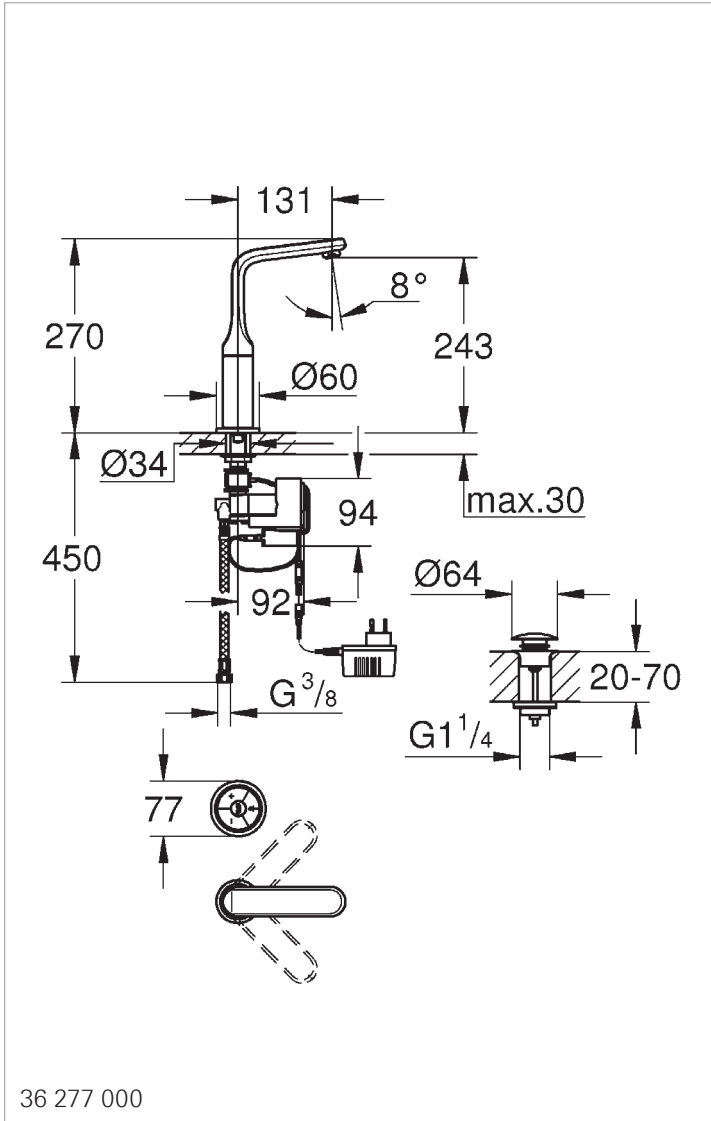
For single hole basins choose the deck-mounted solution. Whether the basin is wall-mounted, counter-mounted or part of a larger piece of bathroom furniture, the digital mixing unit is small enough to fit below the ceramic. The Digital Controller is then fixed in the most convenient position for the user.

The deck-mounted solution comprises:

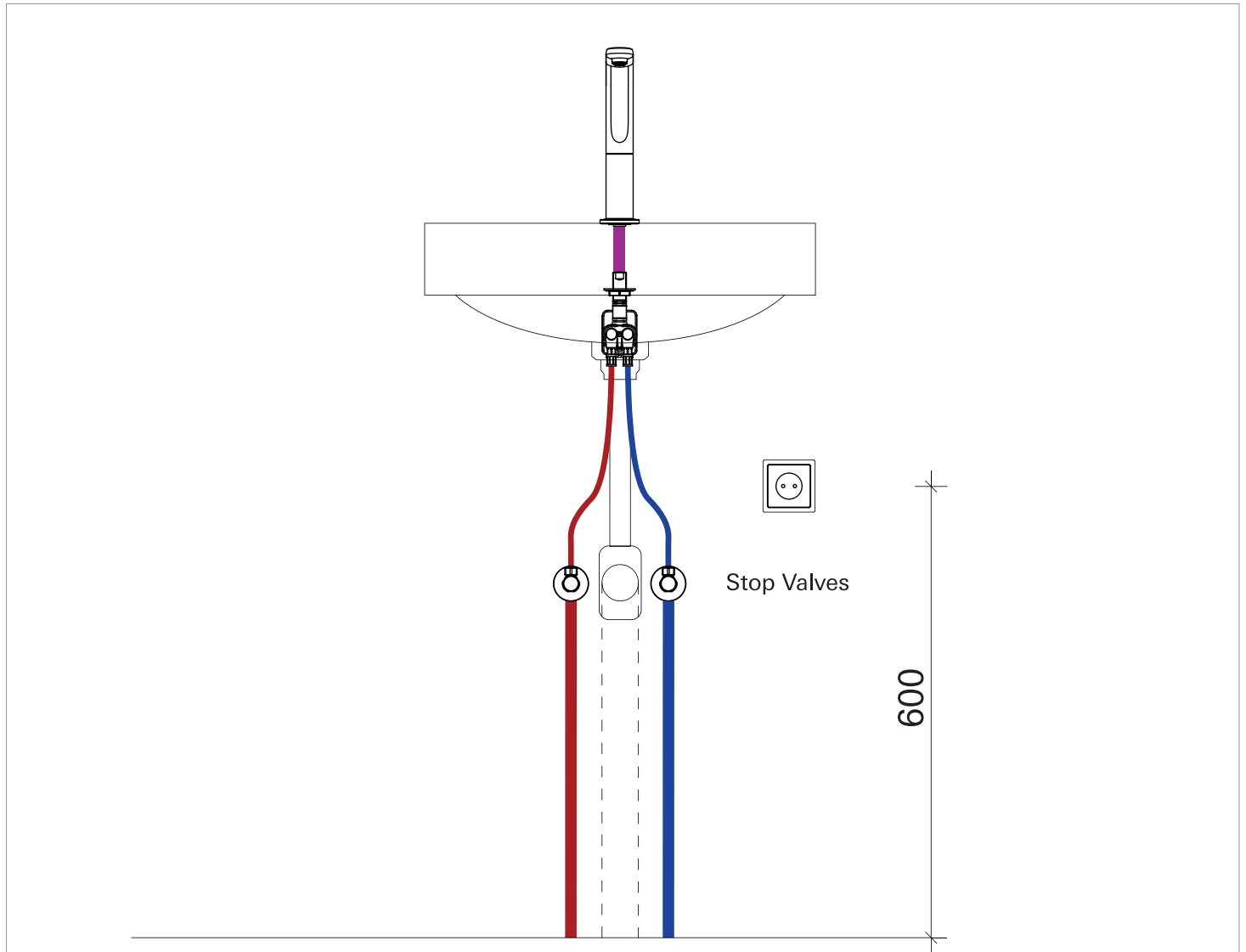
- Digital Controller
- Digital Twin Valve Mixing unit (TVM)
- Basin spout
- Build-in power supply

RANGE

- 36 277 000 Veris F-Digital
- 36 342 000 Allure F-Digital



PLANNING INFORMATION GROHE F-DIGITAL WASH BASIN WITH DECK-MOUNTED SPOUT



TIPS FOR PLANNING

Digital Twin Valve Mixing (TVM)

- Installation in a dry and frost protected area
- The 6V plug power supply requires a 230V socket
- An additional recess for the outlet with a minimum dimension of 200 x 200 mm (WxH) is recommended
- For safety reasons, both power supplies should not be positioned within the area of the TVM.
- The appliance must be provided with a dedicated circuit secured by a ground fault circuit interrupter
- The TVM come with a 40 cm power cable
- A 3 m extension cable (47 727 000) is available as an addition. Max. length of extension cannot exceed 6m.

Digital Controller

- The distance between the TVM and the Digital Controller should not be more than 5 metres (maximum range)
- Within the maximum range the Digital Controller can be positioned anywhere
- The Digital Controller is battery powered: 3x CR2450 (3V)

Instruction for installation

- Ideal for the installation of 1-hole basin mixer
- The Digital Controller should be fixed to a surface to ensure easy operation
- Due to its compact size the TVM easily fits underneath the ceramic
- The TVM is mounted to the threaded bolt of the mixer spout



PLANNING INFORMATION GROHE F-DIGITAL WASH BASIN WITH WALL-MOUNTED SPOUT



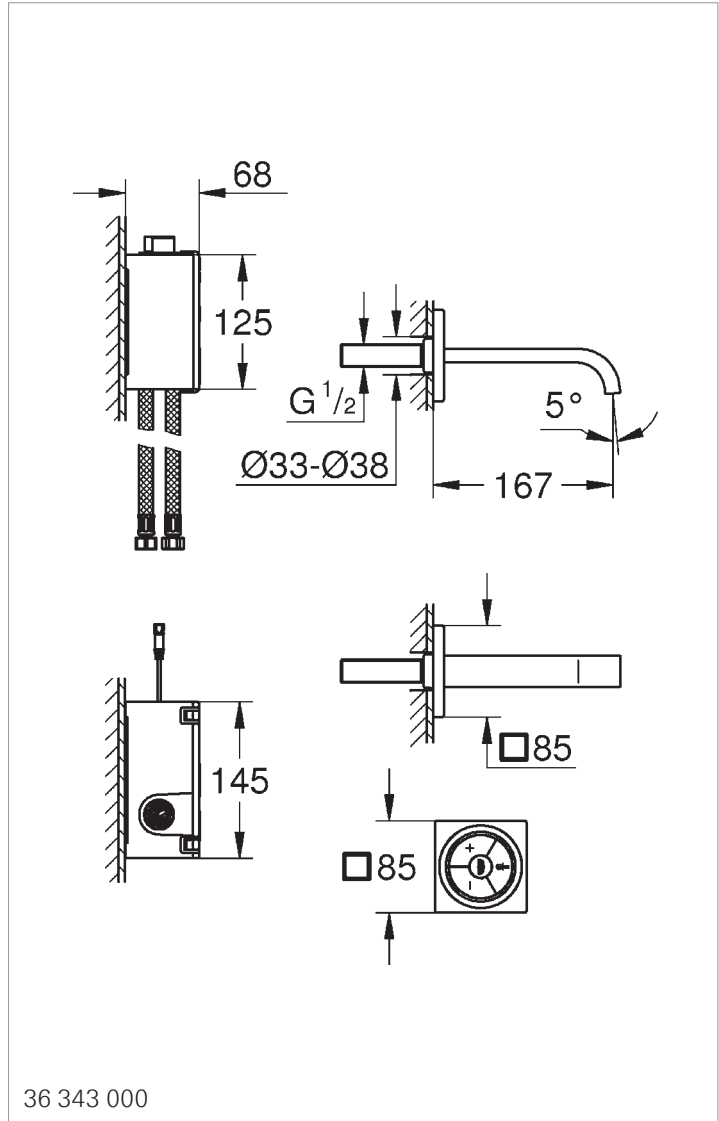
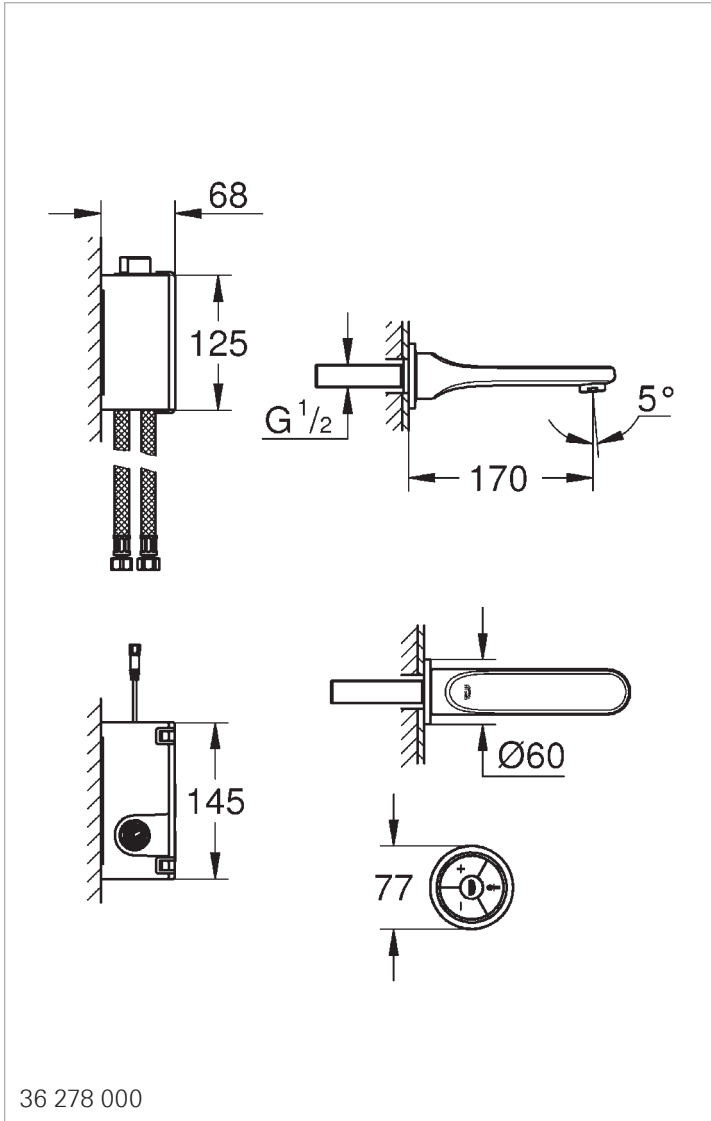
The digital solution for wall-mounted basin spouts is ideal to use with freestanding basins or counters with integrated basins – such as those made from composite materials or stone – where it is often not possible or desirable to drill holes. The basin spouts can be mounted at any height.

The wall-mounted solution comprises:

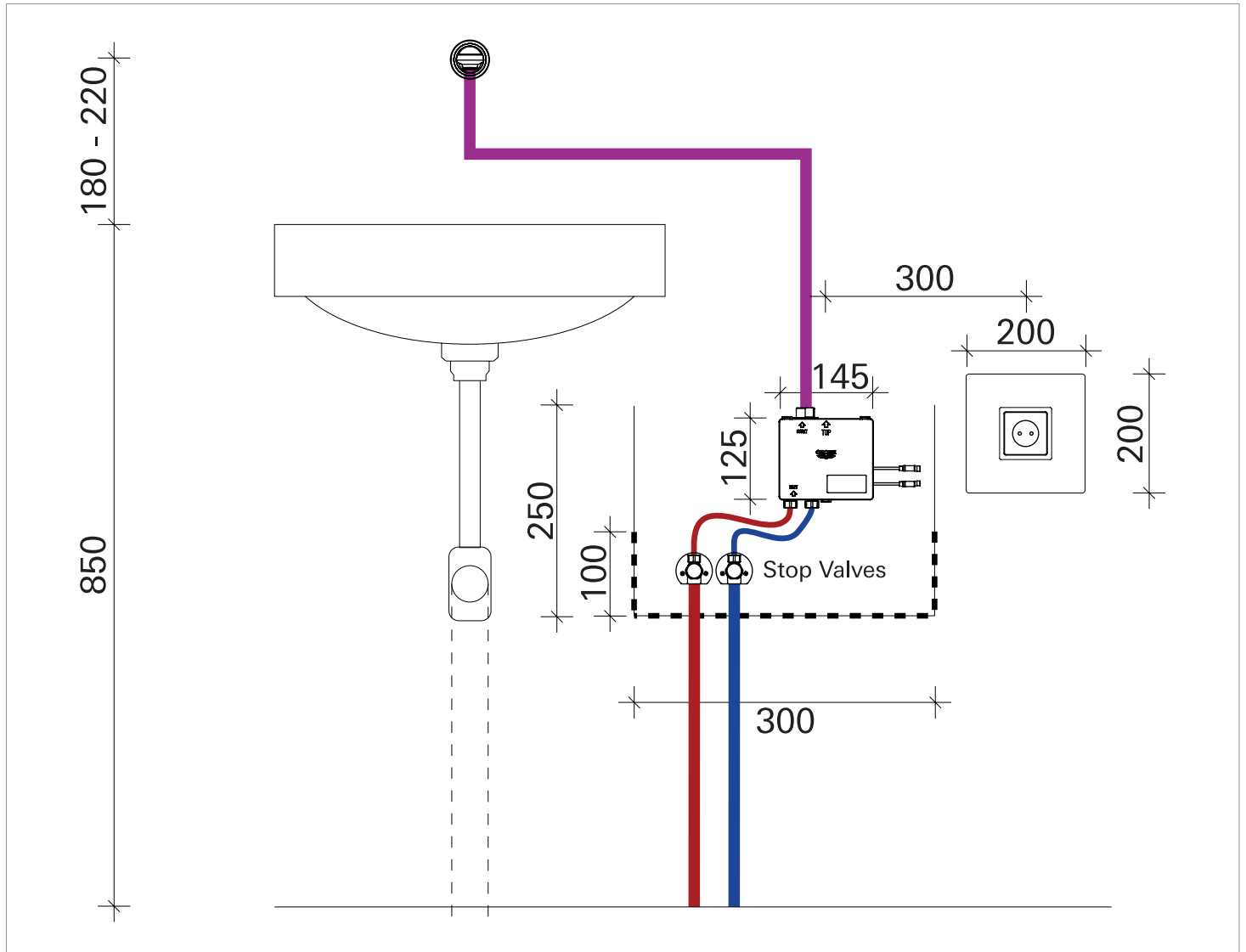
- Digital Controller
- Concealed Digital Twin Valve Mixing unit (TVM)
- Basin spout
- Power supply 230 V

SORTIMENT

- 36 278 000 Veris F-Digital
- 36 343 000 Allure F-Digital



PLANNING INFORMATION GROHE F-DIGITAL WASH BASIN WITH WALL-MOUNTED SPOUT



TIPS FOR PLANNING

Concealed Digital Twin Valve Mixing Box (TVM-Box)

- The concealed TVM-Box, should be installed in an accessible location for maintenance – either in the wall behind an access panel or in bathroom furniture below the basin
- The TVM-Box measures 145 x 125 x 68,5 mm (WxHxD)
- A minimum size of 300 x 250 x 100 mm (WxHxD) for the revision opening is recommended

Digital Controller

- The distance between the TVM and the Digital Controller should not be more than 5 metres (maximum range)
- Within the maximum range the Digital Controller can be positioned anywhere
- The Digital Controller is battery powered: 3x CR2450 (3V)

Instruction for installation

- Ideal for the installation of 1-hole basin mixer
- The Digital Controller should be fixed to a surface to ensure easy operation
- To avoid damage to the building structure by leaking water or water spilled during maintenance work, the revision floor should have a seal of 10cm height around its perimeter
- Alternatively, a drainage connection may also be considered
- The TVM-Box can be mounted in any position (e.g. turned by 90° or 180°), as long as the cover is easily accessible



PLANNING INFORMATION GROHE F-DIGITAL BATH TUB WITH WALL MOUNTED BATH SPOUT AND HAND SHOWER



By pairing a wall-mounted bath spout with a wall-mounted hand shower, GROHE F-digital keeps the area around the bath clear. Offering complete flexibility, the wireless Digital Controller can be located on the wall or on the rim of the bath. This allows complete freedom of design when arranging the bath rim combination. For comfort, it is recommended to locate the Digital Controller at the "head" of the bath, so that it can be reached easily when taking a bath. The Digital Diverter should be located close to the hand shower, either on the wall or on the bath rim.

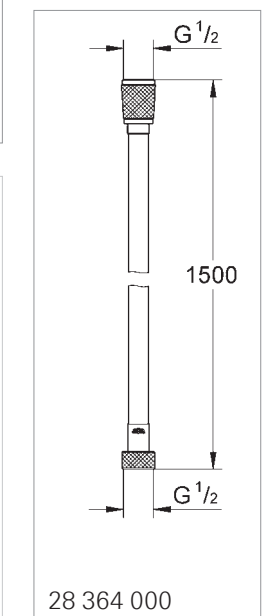
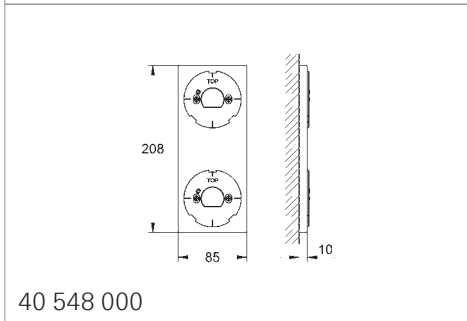
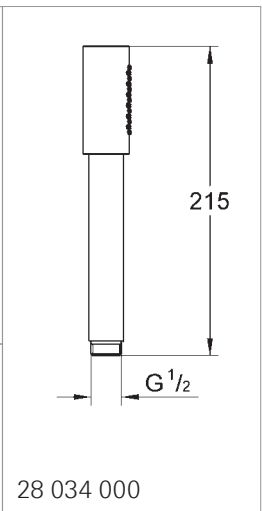
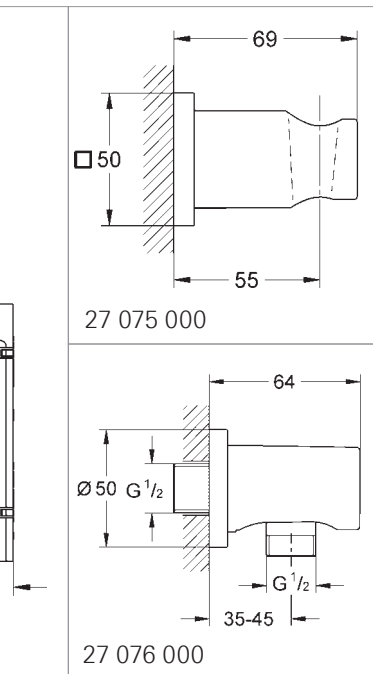
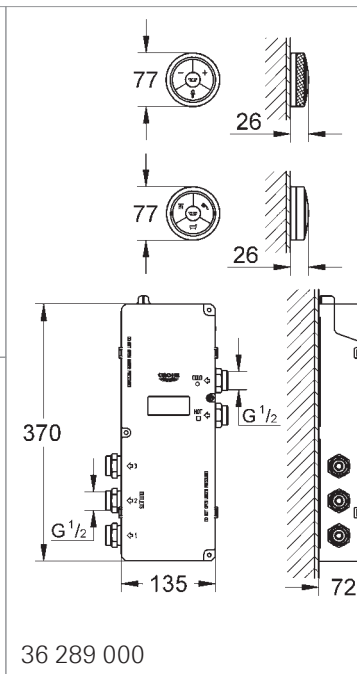
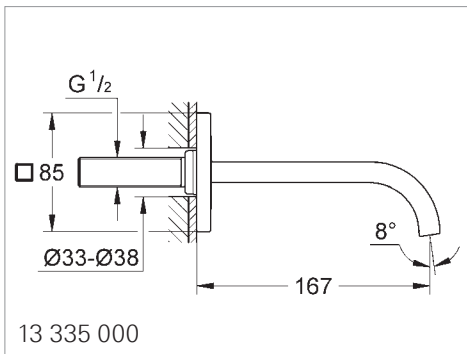
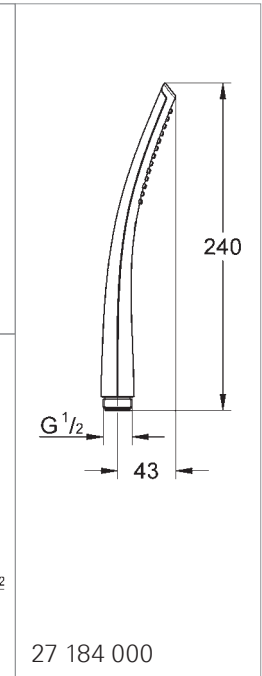
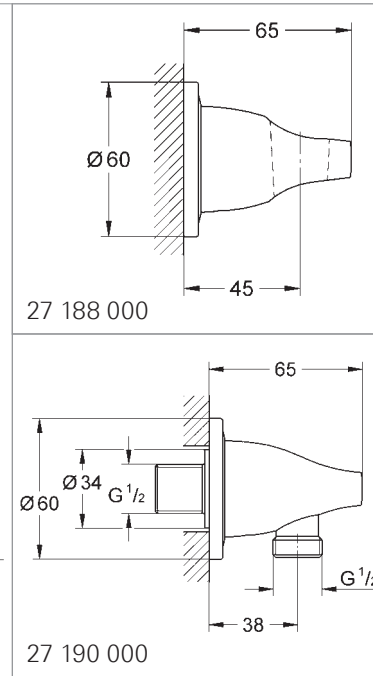
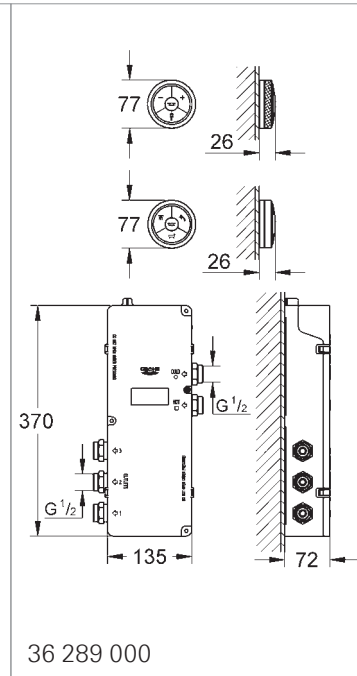
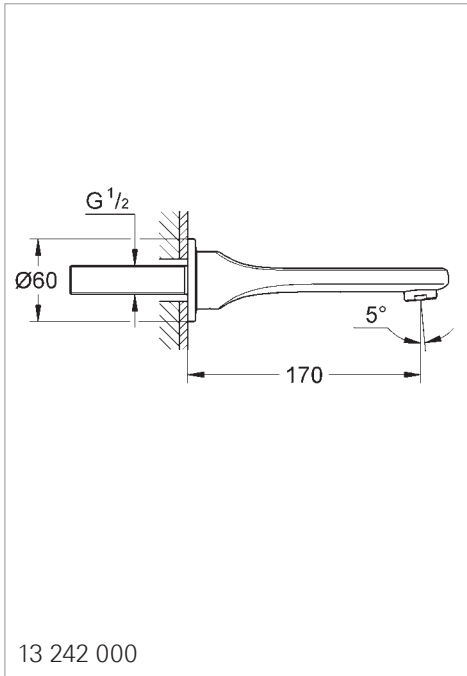
SORTIMENT

VERIS F-DIGITAL

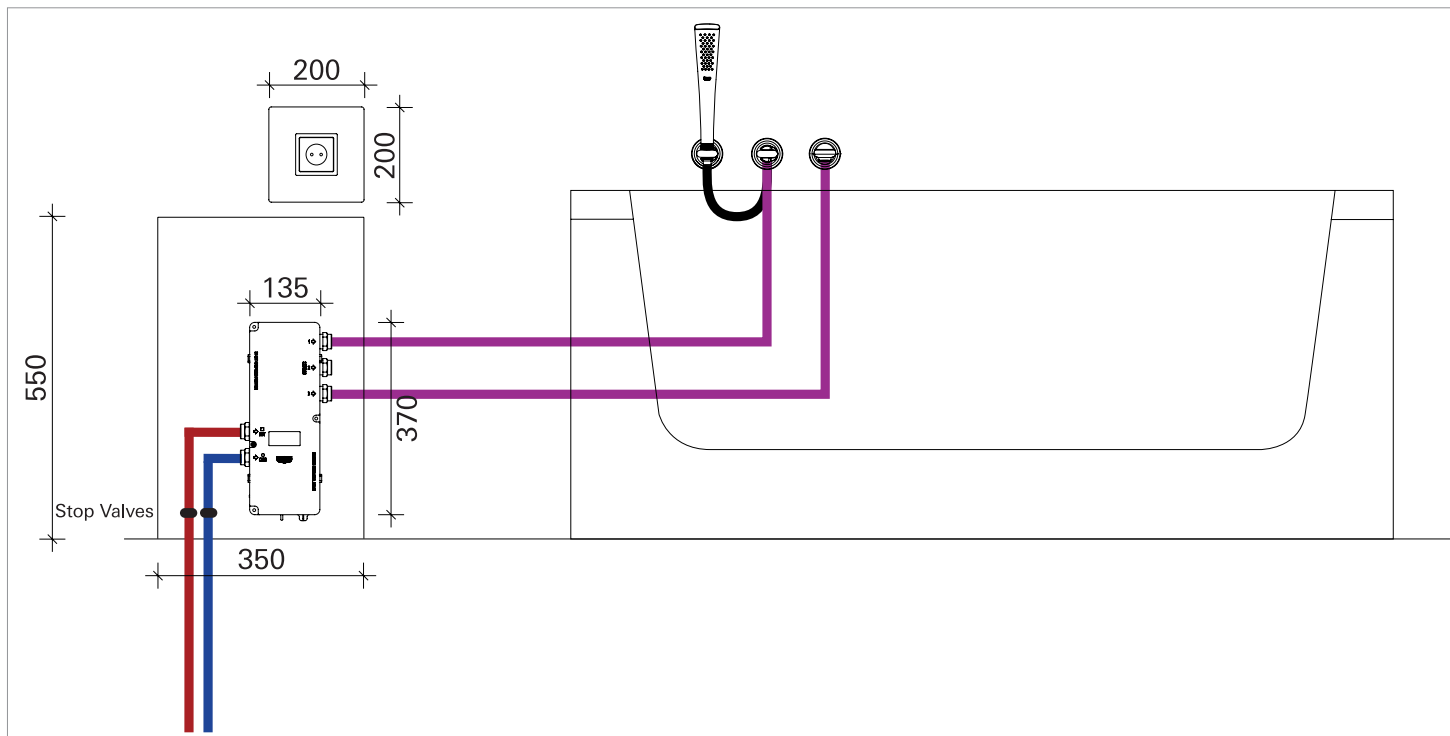
- 13 242 000 Veris bath spout
- 36 289 000 Digital controller and digital diverter for bath including digital thermostat unit
- 27 188 000 GROHE Ondus® hand shower holder
- 27 190 000 GROHE Ondus® shower outlet elbow
- 27 184 000 GROHE Ondus® hand shower

ALLURE F-DIGITAL

- 13 335 000 Allure bath spout
- 36 289 000 Digital controller and digital diverter for bath including digital thermostat unit
- 40 548 000 Holder plate for Controller + diverter
- 27 075 000 Rainshower® hand shower holder
- 27 076 000 Rainshower® shower outlet elbow
- 28 034 000 Sena hand shower
- 28 364 000 Silverflex shower hose
- 65 790 000 Power supply 230 V



PLANNING INFORMATION GROHE F-DIGITAL BATH TUB WITH WALL MOUNTED BATH SPOUT AND HAND SHOWER



TIPS FOR PLANNING

This two function bath application is controlled by:

- Digital Controller and Digital Diverter
- Concealed Digital Thermostatic Mixing unit (THM-Box3)
- Bath spout

Concealed Digital Thermostatic Mixing unit (THM-Box3)

- The THM-Box3 (WxHxD 135 x 370 x 72 mm) includes a transceiver device (Gateway) which is connected to the box by a 3 m cable. It is used to ensure optimum communication between the Digital Controller/Digital Diverter and the Box
- The 6V plug power supply requires a 230V socket
- The appliance must be provided with a dedicated circuit secured by a ground fault circuit breaker
- The THM-Box3 come with a 40 cm power cable
- A 3 m extension cable (47 727 000) is available as an addition. Max. length of extension cannot exceed 6 m

Digital Controller/Digital Diverter

- The distance between the Gateway and the Digital Controller/Digital Diverter should not be more than 5 m (maximum range)
- Both are battery powered: 3x CR2450 (3V)

Instruction for installation

- The Box must be installed in a dry and frost protected area
- Appropriate revision openings (WxHxD minimum size: 350 x 550 x 100 mm) for the THM-Box3 can be located within the facing of on-the-wall type installation
- In cases where on-the-wall installation is not feasible, appropriate revision openings need to be integrated within the existing construction wall. This type of installation can only be recommended for walls of min. 16 cm thickness.
- If the distance between the THM-Box3 and the Digital Controller/Digital Diverter is less than 5 m, the Gateway can be installed in the same revision opening as the THM-Box3
- To avoid damage to the building structure by leaking water or water spilled during maintenance work, the revision floor should have a seal of 10cm height around its perimeter
- The TVM-Box3 can be mounted in any position (e.g. turned by 90° or 180°), as long as the cover is easily accessible
- If the THM-Box is located in a neighbouring room, it is recommended to place the Gateway next to the bathtub or inside bathroom furniture.



PLANNING INFORMATION GROHE F-DIGITAL BATH WITH FLOORSTANDING BATH SPOUT, HEAD AND HAND SHOWER



For baths requiring only a single water outlet, such as a freestanding bath spout, GROHE F-digital provides a discreet solution. The simplicity and elegance of the bath spout creates a focal point in minimalist bathrooms, while the Digital Controller can be fixed either to the rim of the bath or a nearby wall or surface. In small and medium-sized bathrooms, where there is often not enough space for a separate shower area and bath, GROHE F-digital provides a stylish integrated solution. The bath filler is combined with a head shower and hand shower to create a bathing environment which benefits from a multi-function shower, while appearing more spacious.

RANGE

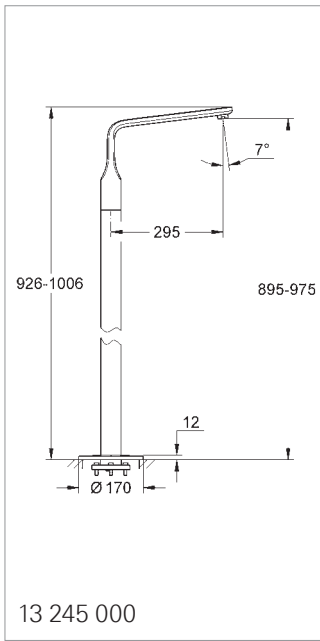
VERIS F-DIGITAL

- 13 245 000 Veris bath spout
- 27 470 000 Rainshower® Veris head shower
- 28 497 000 Rainshower® ceiling shower arm
- 27 532 000 GROHE Ondus® hand showerset
- 36 289 000 Digital controller and digital diverter for bath including digital thermostat unit

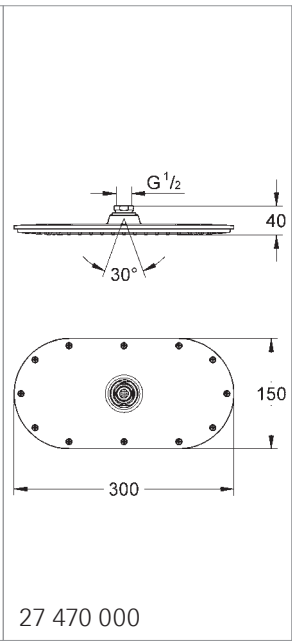
- 45 984 000 Roughing-in set
- 65 790 000 Power supply 230 V

ALLURE F-DIGITAL

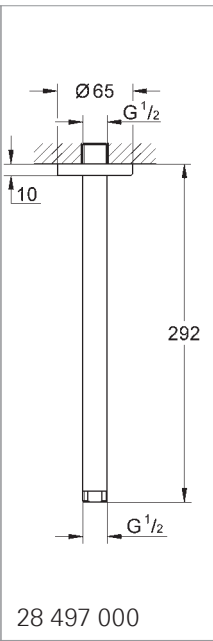
- 13 218 000 Allure bath spout
- 27 485 000 Rainshower® ceiling shower arm
- 27 271 000 Rainshower® F-Series head shower 10"
- 28 034 000 Sena hand shower
- 27 930 000 Allure F-Digital lead-through for shower hose
- 36 289 000 Digital controller and digital diverter for bath including digital thermostat unit
- 40 548 000 Holder plate for Controller + diverter



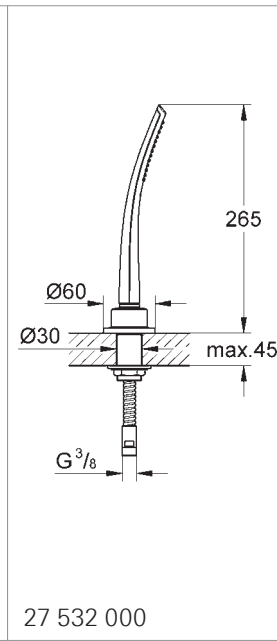
13 245 000



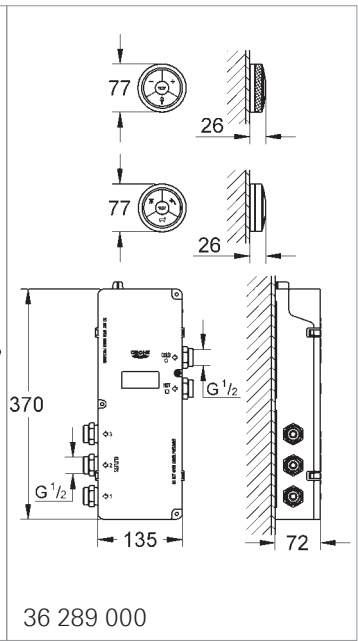
27 470 000



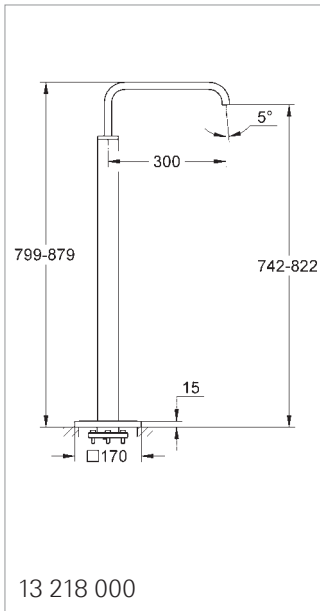
28 497 000



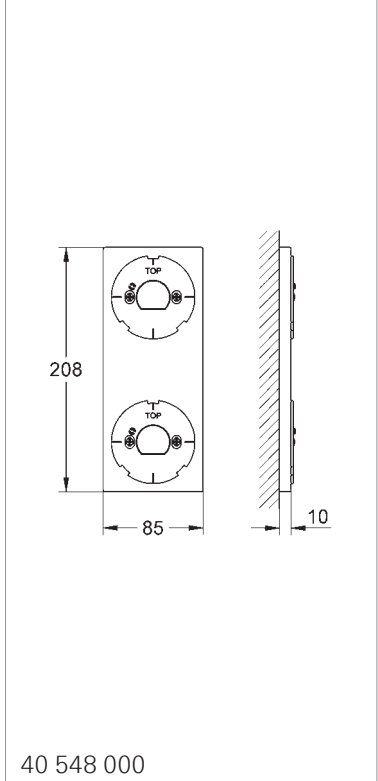
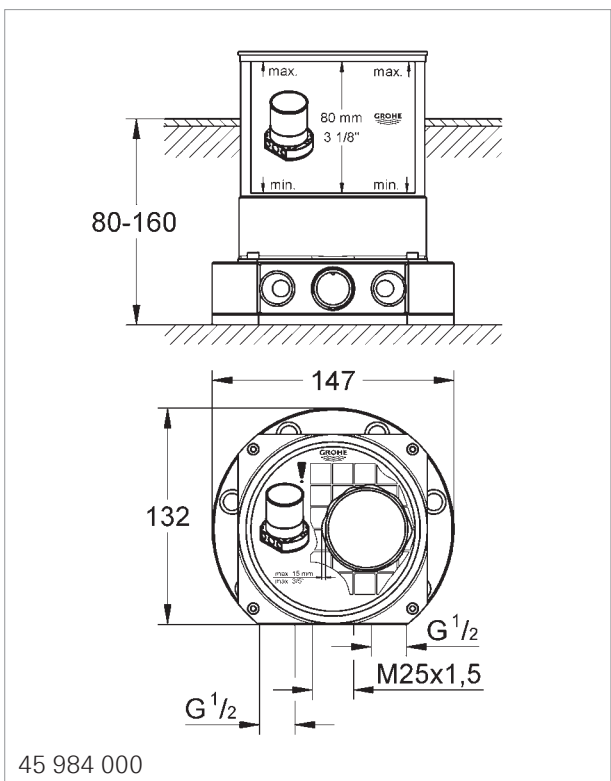
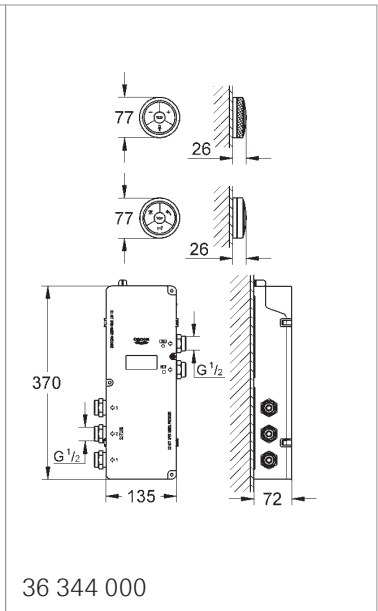
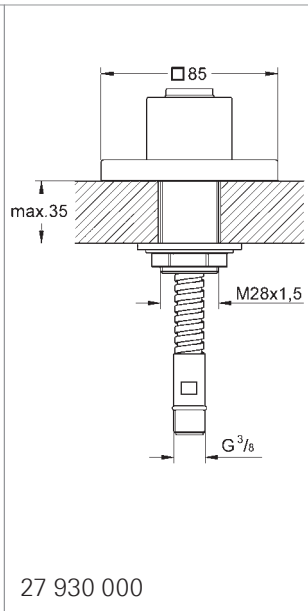
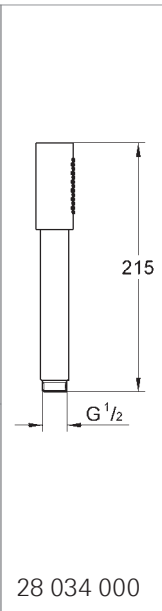
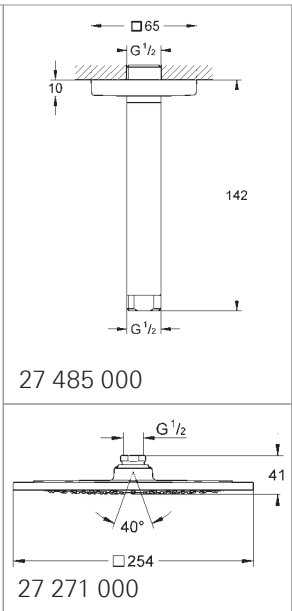
27 532 000



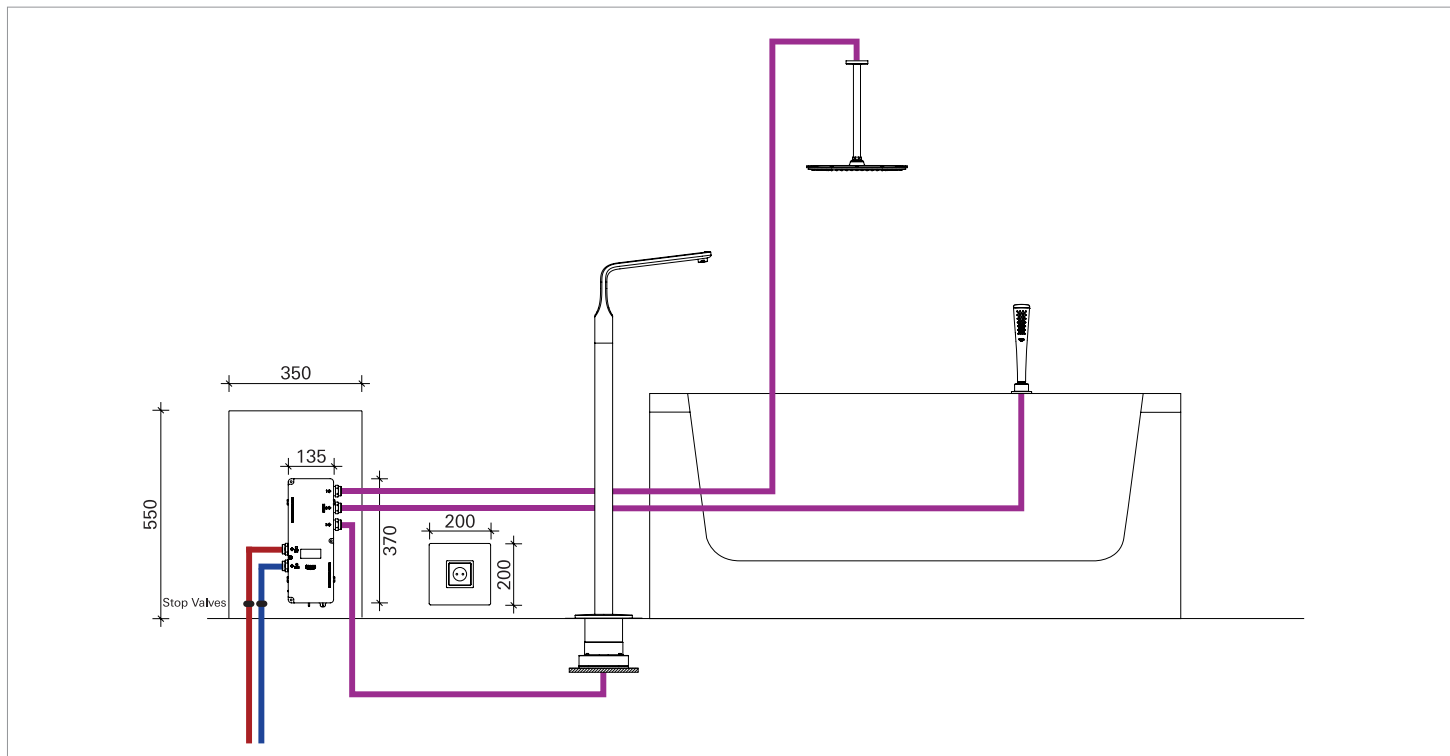
36 289 000



13 218 000



PLANNING INFORMATION GROHE F-DIGITAL BATH WITH FLOORSTANDING BATH SPOUT, HEAD AND HAND SHOWER



TIPS FOR PLANNING

This three function bath application is controlled by:

- Digital Controller and Digital Diverter
- Concealed Digital Thermostatic Mixing unit (THM-Box3)
- Bath spout

Concealed Digital Thermostatic Mixing unit (THM-Box3)

- The THM-Box3 (WxHxD 135 x 370 x 72 mm) includes a transceiver device (Gateway) which is connected to the box by a 3 m cable. It is used to ensure optimum communication between the Digital Controller/Digital Diverter and the Box
- The 6V plug power supply requires a 230V socket
- The appliance must be provided with a dedicated circuit secured by a ground fault circuit breaker
- The THM-Box3 come with a 40 cm power cable
- A 3 m extension cable (47 727 000) is available as an addition. Max. length of extension cannot exceed 6 m

Digital Controller/Digital Diverter

- The distance between the Gateway and the Digital Controller/Digital Diverter should not be more than 5 m (maximum range)
- Both are battery powered: 3x CR2450 (3V)

Instruction for installation

- The Box must be installed in a dry and frost protected area
- Appropriate revision openings (WxHxD minimum size: 350 x 550 x 100 mm) for the THM-Box3 can be located within the facing of on-the-wall type installation
- In cases where on-the-wall installation is not feasible, appropriate revision openings need to be integrated within the existing construction wall. This type of installation can only be recommended for walls of min. 16 cm thickness.
- If the distance between the THM-Box3 and the Digital Controller/Digital Diverter is less than 5 m, the Gateway can be installed in the same revision opening as the THM-Box3
- To avoid damage to the building structure by leaking water or water spilled during maintenance work, the revision floor should have a seal of 10cm height around its perimeter
- The TVM-Box3 can be mounted in any position (e.g. turned by 90° or 180°), as long as the cover is easily accessible
- If the THM-Box is located in a neighbouring room, it is recommended to place the Gateway next to the bath or inside bathroom furniture



PLANNING INFORMATION GROHE F-DIGITAL SHOWER AREA WITH SINGLE SHOWER

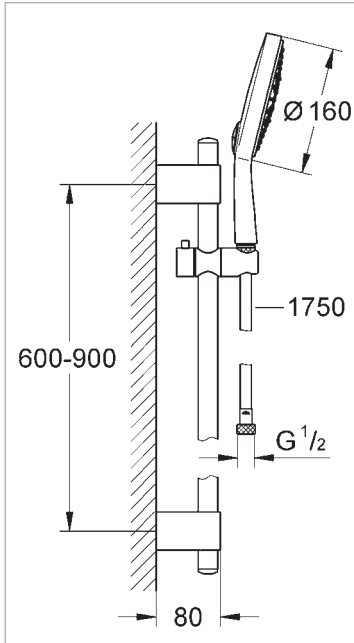


Shower rail sets are an easy-to-install solution, which enables the user to benefit from the luxury of digital showering without having to completely renovate their bathroom.

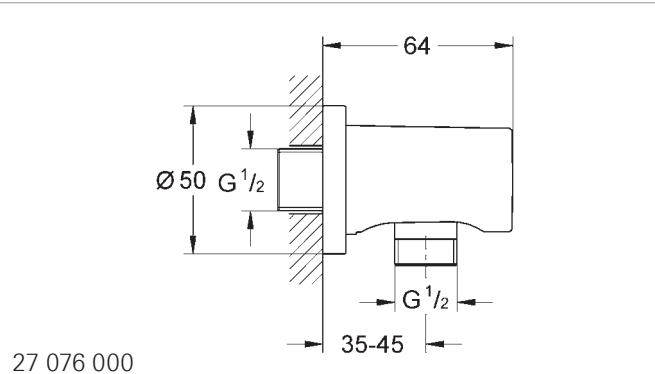
With the standard rail set, the water pipe is concealed behind the wall and attached to the shower hose via the shower elbow. In the second type of installation, the water travels inside ceiling mounted shower rail to the shower. The top of the rail is connected to the outlet of the digital thermostatic mixing unit and the shower hose is connected to the bottom of the rail. This type of installation is ideal if there is an loft space above the bathroom.

RANGE

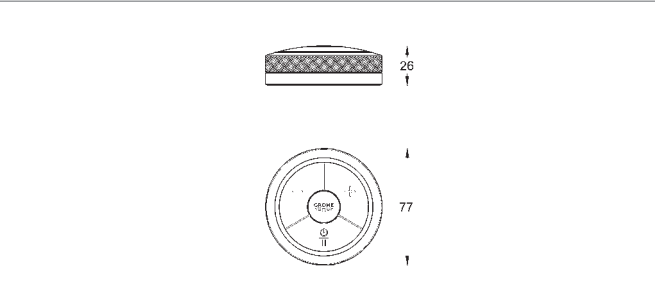
- 27 745 000 Power&Soul® C shower set
- 27 076 000 Rainshower® shower outlet elbow
- 36 309 000 F-Digital Remote Controller
- 36 292 000 Digital controller for bath or shower including digital thermostat unit
- 65 790 000 Power supply 230 V



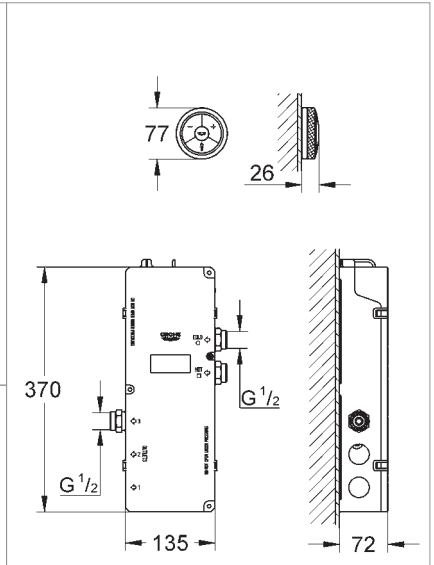
27 745 000



27 076 000



36 309 000

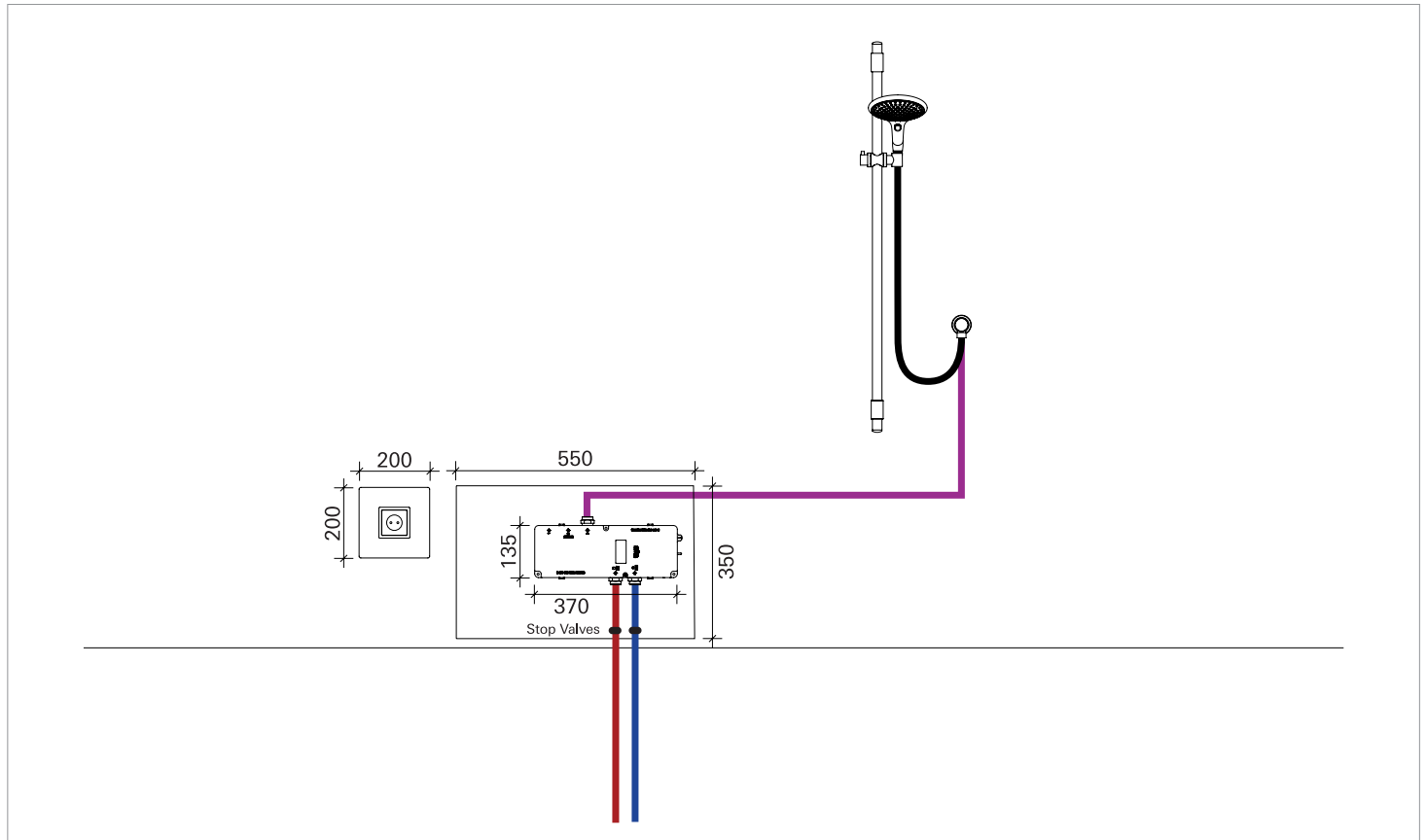


36 292 000



65 790 000

PLANNING INFORMATION GROHE F-DIGITAL SHOWER AREA WITH SINGLE SHOWER



TIPS FOR PLANNING

This single function shower application is controlled by:

- Digital Controller
- Concealed Digital Thermostatic Mixing unit (THM-Box1)
- Shower

Concealed Digital Thermostatic Mixing unit (THM-Box1)

- The THM-Box1 (WxHxD 135 x 370 x 72 mm) includes a transceiver device (Gateway) which is connected to the box by a 3 m cable. It is used to ensure optimum communication between the Digital Controller and the THM-Box1
- The 6V plug power supply requires a 230V socket
- The appliance must be provided with a dedicated circuit secured by a ground fault circuit breaker
- The THM-Box1 come with a 40 cm power cable
- A 3 m extension cable (47 727 000) is available as an addition. Max. length of extension cannot exceed 6m

Digital Controller

- The distance between the Gateway and the Digital Controller should not be more than 5 m (maximum range)
- Battery powered: 3x CR2450 (3V)

Instruction for installation

- The Box must be installed in a dry and frost protected area
- Appropriate revision openings (WxHxD minimum size: 350 x 550 x 100 mm) for the THM-Box1 can be located within the facing of on-the-wall type installation
- In cases where on-the-wall installation is not feasible, appropriate revision openings need to be integrated within the existing construction wall. This type of installation can only be recommended for walls of min. 16 cm thickness.
- If the distance between the THM-Box1 and the Digital Controller/Digital Diverter is less than 5 m, the Gateway can be installed in the same revision opening as the THM-Box1
- To avoid damage to the building structure by leaking water or water spilled during maintenance work, the revision floor should have a seal of 10cm height around its perimeter
- The TVM-Box1 can be mounted in any position (e.g. turned by 90° or 180°), as long as the cover is easily accessible



PLANNING INFORMATION GROHE F-DIGITAL SHOWER AREA WITH HEAD SHOWER AND HAND SHOWER



GROHE F-digital takes the popular combination of an integrated head shower and hand shower to a new level of user convenience. Inside the shower area, the Digital Controller and Diverter are fixed in a convenient position for the user. A second Digital Controller is fixed at the entrance to the shower, enabling the user to turn on the water without getting wet and benefit from the 'Warm up' mode.

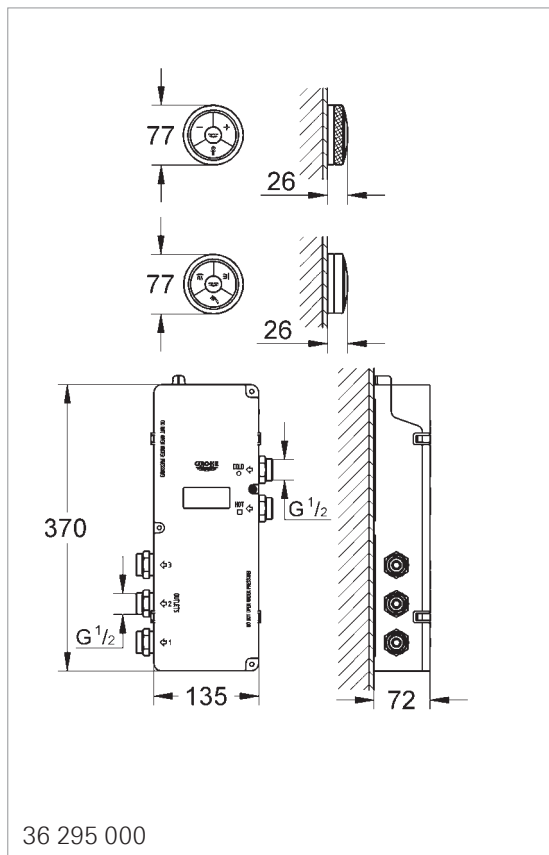
RANGE

VERIS F-DIGITAL

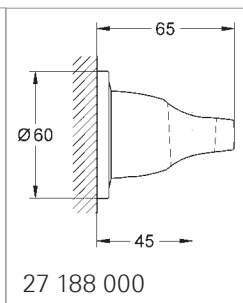
- 36 295 000 Digital controller and digital diverter for shower including digital thermostat unit
- 27 188 000 GROHE Ondus® hand shower holder
- 27 190 000 GROHE Ondus® shower outlet elbow
- 28 497 000 Rainshower® ceiling shower arm
- 27 470 000 Rainshower® Veris ceiling shower
- 36 309 000 F-Digital Remote Controller
- 27 184 000 GROHE Ondus® hand shower
- 28 364 000 Silverflex shower hose
- 65 790 000 Power supply 230 V

ALLURE F-DIGITAL

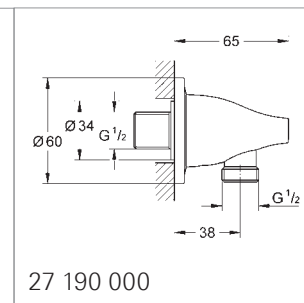
- 36 295 000 Digital controller and digital diverter for shower including digital thermostat unit
- 40 548 000 Holder plate for Controller + diverter
- 27 075 000 Rainshower® hand shower holder
- 27 076 000 Rainshower® shower outlet elbow
- 27 485 000 Rainshower® ceiling shower arm
- 36 355 000 F-Digital Remote Controller
- 27 271 000 Rainshower® F-Series head shower 10"
- 28 034 000 Sena hand shower



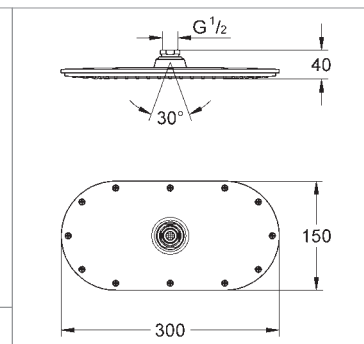
36 295 000



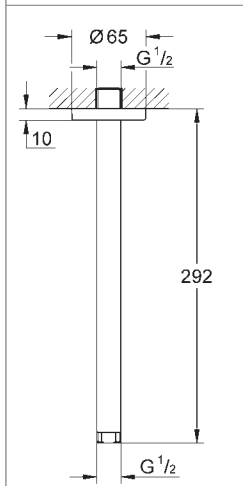
27 188 000



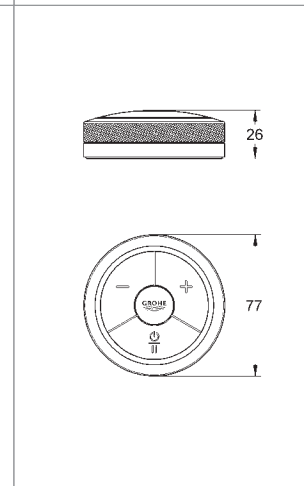
27 190 000



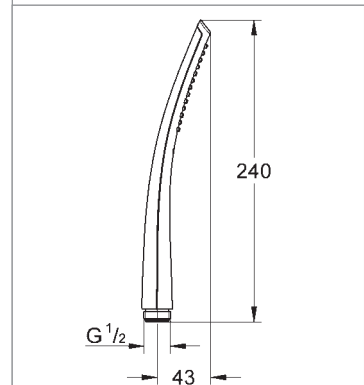
27 470 000



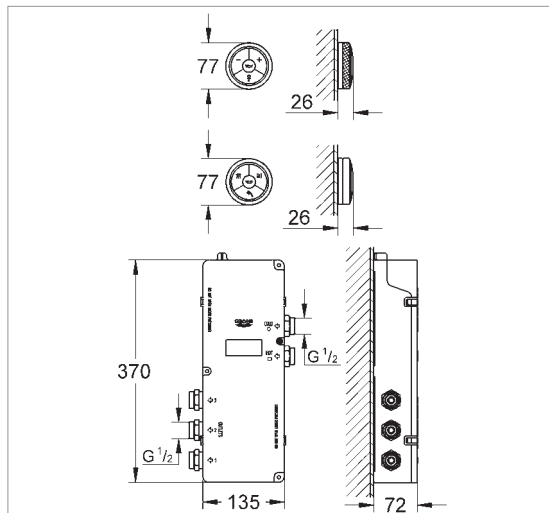
28 497 000



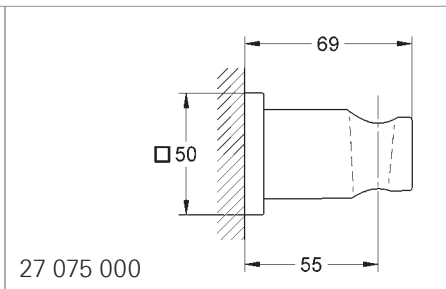
36 309 000



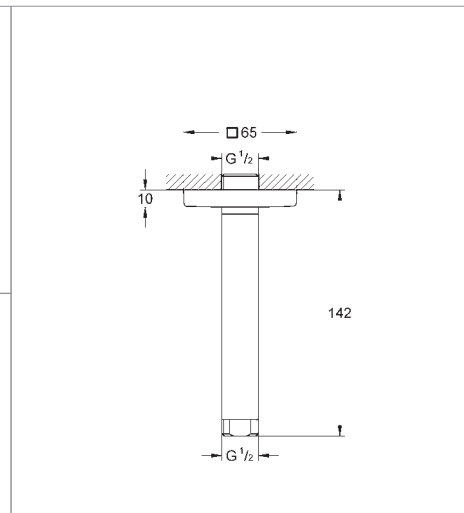
27 184 000



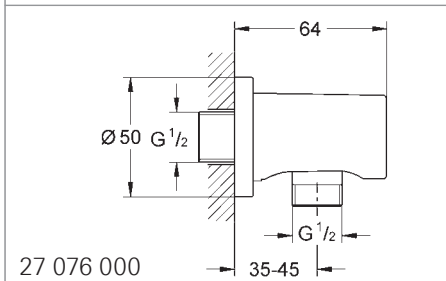
36 295 000



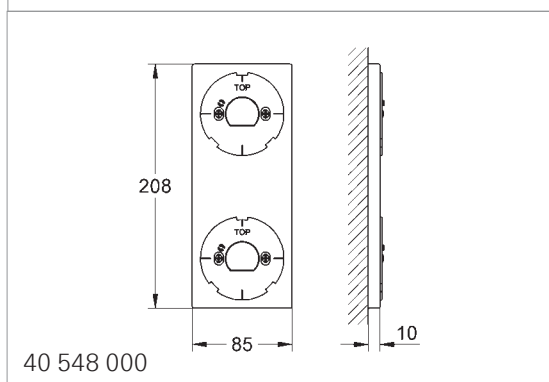
27 075 000



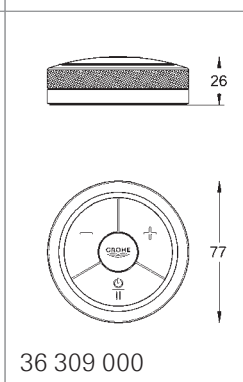
27 485 000



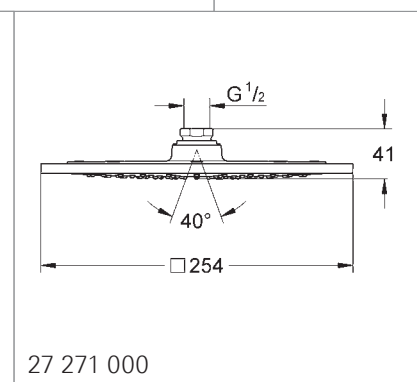
27 076 000



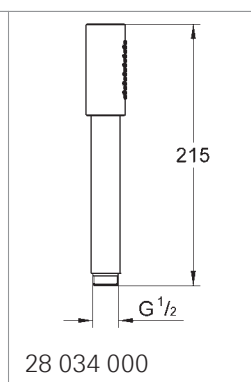
40 548 000



36 309 000



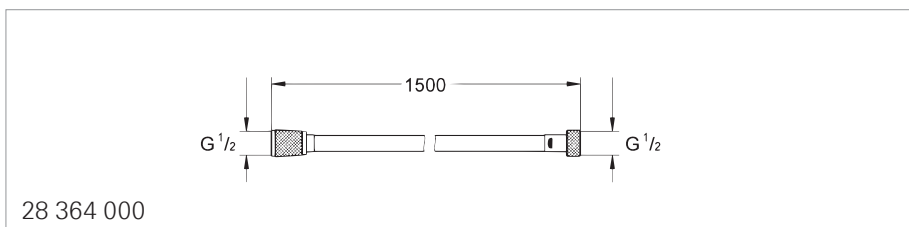
27 271 000



28 034 000

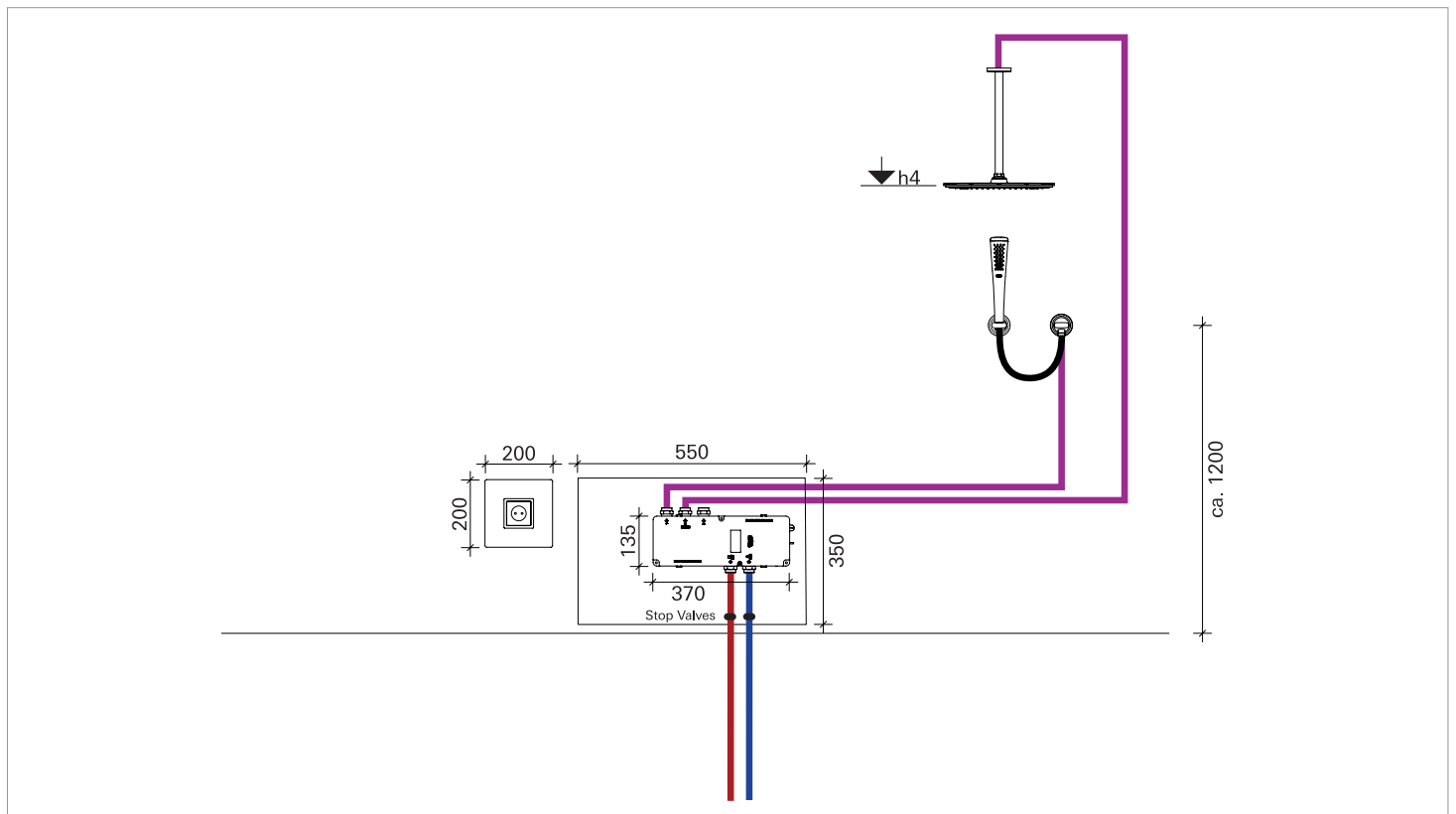


65 790 000



28 364 000

PLANNING INFORMATION GROHE F-DIGITAL SHOWER AREA WITH HEAD SHOWER AND HAND SHOWER



TIPS FOR PLANNING

This two function shower application is controlled by:

- Digital Controller and Digital Diverter
- Concealed Digital Thermostatic Mixing unit (THM-Box3)
- Head shower/Hand shower

Concealed Digital Thermostatic Mixing unit (THM-Box3)

- The THM-Box3 includes a transceiver device (Gateway) which is connected to the box by a 3 m cable. It is used to ensure optimum communication between the Digital Controller/Digital Diverter and the THM-Box3
- The 6V plug power supply requires a 230V socket
- The appliance must be provided with a dedicated circuit secured by a ground fault circuit breaker
- The THM-Box3 come with a 40 cm power cable
- A 3 m extension cable (47 727 000) is available as an addition. Max. length of extension cannot exceed 6m

Digital Controller/Digital Diverter

- The distance between the Gateway and the Digital Controller/Digital Diverter should not be more than 5 m (maximum range)
- Both are battery powered: 3x CR2450 (3V)

Instruction for installation

- The Box must be installed in a dry and frost protected area
- Appropriate revision openings (WxHxD minimum size: 350 x 550 x 100 mm) for the THM-Box3 can be located within the facing of on-the-wall type installation
- In cases where on-the-wall installation is not feasible, appropriate revision openings need to be integrated within the existing construction wall. This type of installation can only be recommended for walls of min. 16 cm thickness.
- If the distance between the THM-Box3 and the Digital Controller/Digital Diverter is less than 5 m, the Gateway can be installed in the same revision opening as the THM-Box3
- To avoid damage to the building structure by leaking water or water spilled during maintenance work, the revision floor should have a seal of 10cm height around its perimeter
- The TVM-Box3 can be mounted in any position (e.g. turned by 90° or 180°), as long as the cover is easily accessible
- To start the shower from outside without getting wet, an additional Digital Controller (36 309 000) can be placed at the entrance to the shower area



PLANNING INFORMATION GROHE F-DIGITAL SHOWER AREA WITH HEAD SHOWER, HAND SHOWER AND SIDE SHOWERS



Design and plan the ultimate custom shower experience for your clients. Featuring a head shower, hand shower and side showers, this multiple function shower combination transforms the bathroom into a luxurious home spa. As with all GROHE F-digital bath and shower solutions, our advanced thermostat technology ensures the perfect water temperature, every time.

RANGE

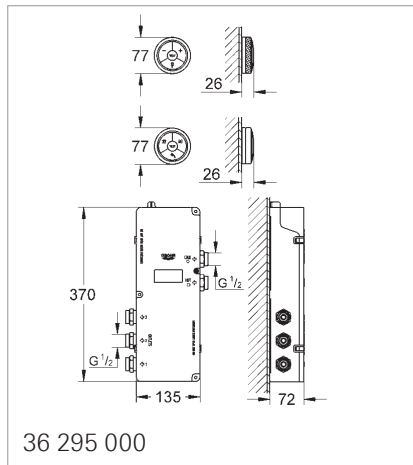
VERIS F-DIGITAL

- 36 295 000 Digital controller and digital diverter for shower including digital thermostat unit
- 27 188 000 GROHE Ondus® hand shower holder
- 27 190 000 GROHE Ondus® shower outlet elbow
- 27 184 000 GROHE Ondus® hand shower
- 27 861 000 Rainshower® Veris ceiling shower
- 36 309 000 F-Digital Remote Controller

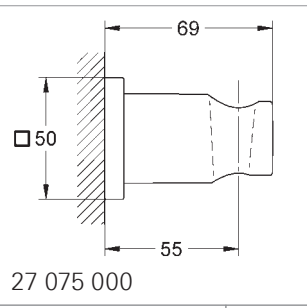
- 28 364 000 Silverflex shower hose
- 65 790 000 Power supply 230 V

ALLURE F-DIGITAL

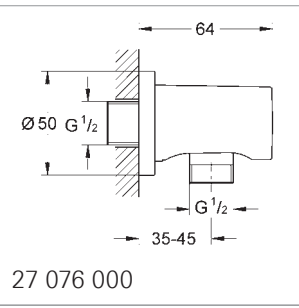
- 36 295 000 Digital controller and digital diverter for shower including digital thermostat unit
- 40 548 000 Holder plate for Controller + diverter
- 27 075 000 Rainshower® hand shower holder
- 27 076 000 Rainshower® shower outlet elbow
- 28 034 000 Sena hand shower
- 27 251 000 Rainshower® F-Series side shower 5"
- 27 286 000 Rainshower® F-Series ceiling shower 20"
- 36 309 000 F-Digital Remote Controller
- 40 710 000 Holder plate for controller



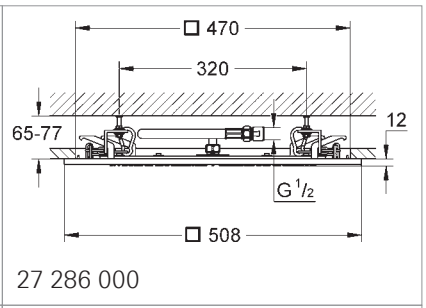
36 295 000



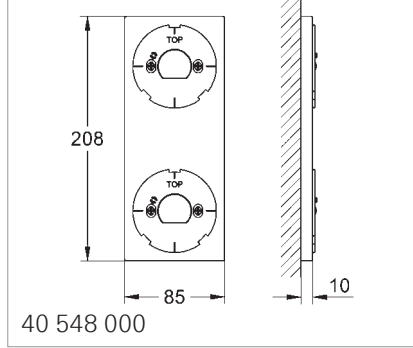
27 075 000



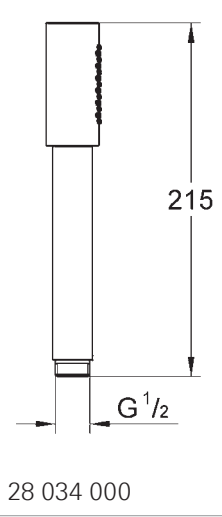
27 076 000



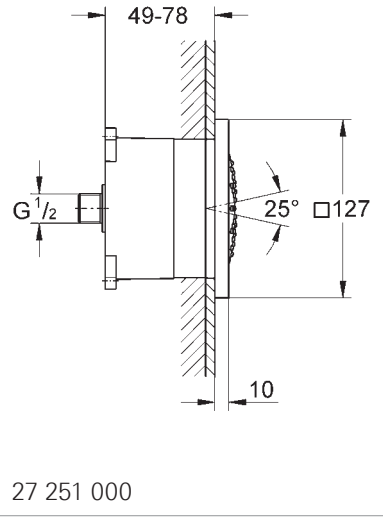
27 286 000



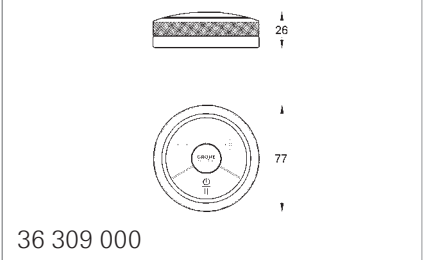
40 548 000



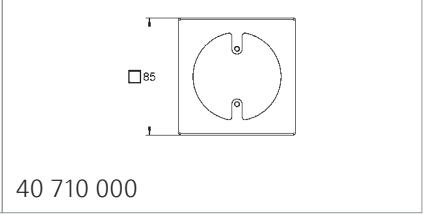
28 034 000



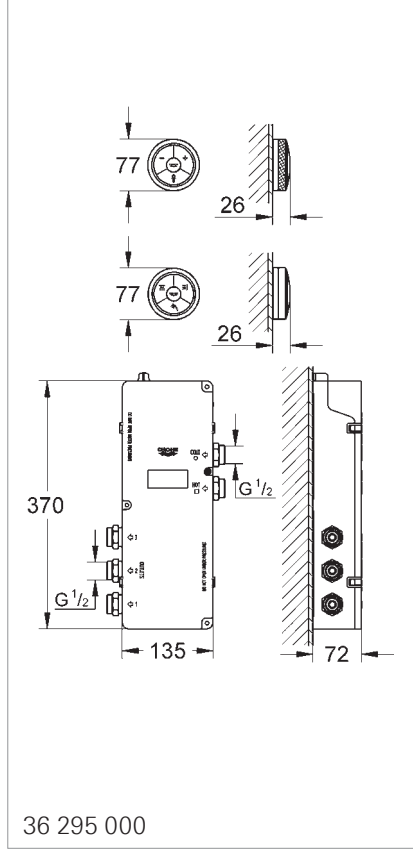
27 251 000



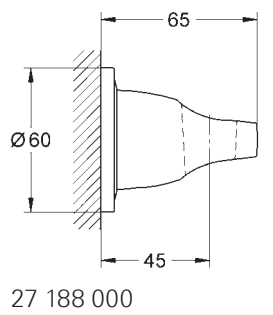
36 309 000



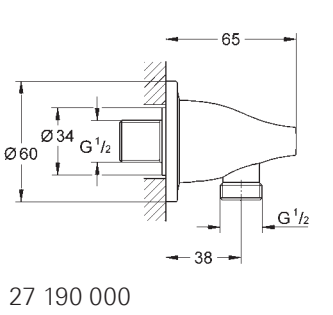
40 710 000



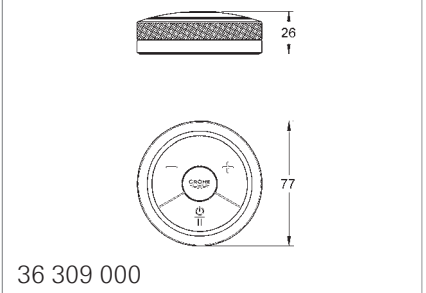
36 295 000



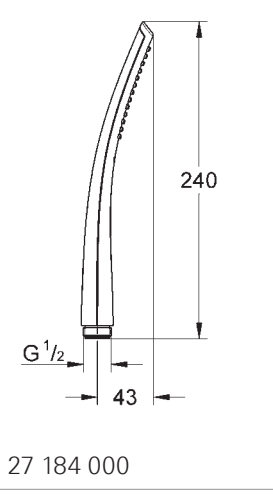
27 188 000



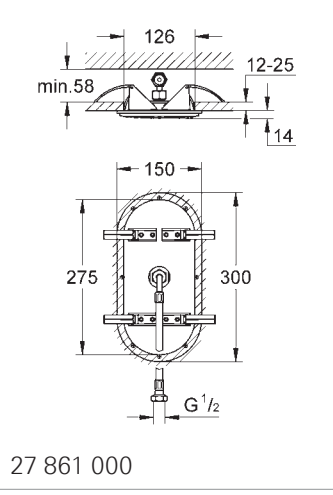
27 190 000



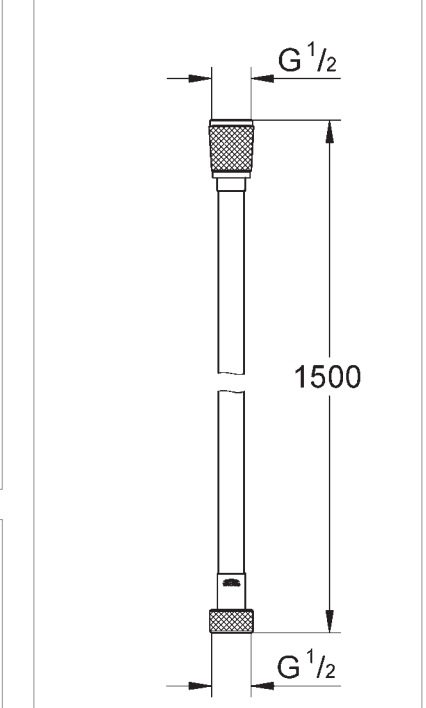
36 309 000



27 184 000



27 861 000

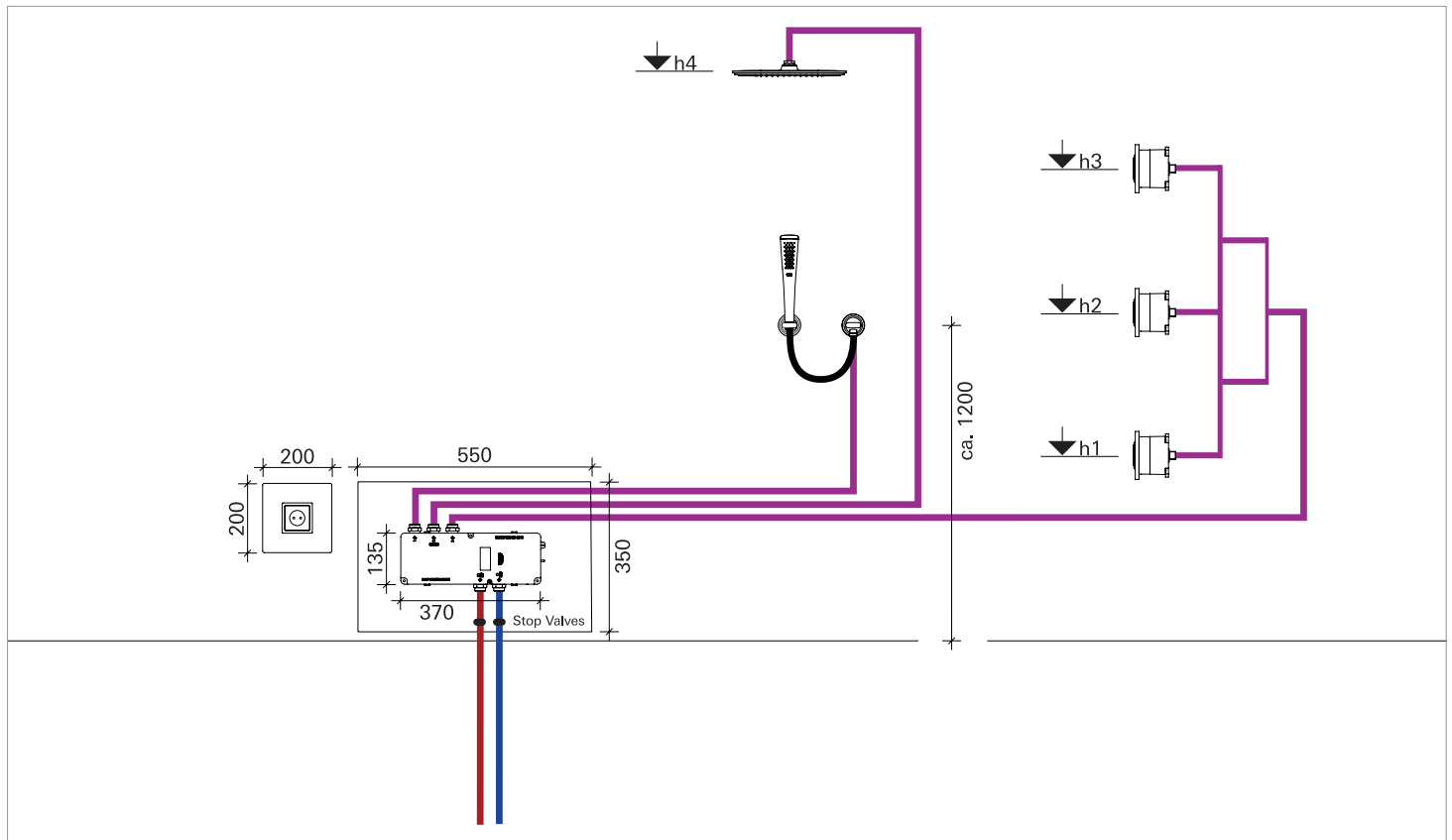


28 364 000



65 790 000

PLANNING INFORMATION GROHE F-DIGITAL SHOWER AREA WITH HEAD SHOWER, HAND SHOWER AND SIDE SHOWERS



TIPS FOR PLANNING

This three function shower application is controlled by:

- Digital Controller and Digital Diverter
- Concealed Digital Thermostatic Mixing unit (THM-Box3)
- Head shower/Hand shower/Side showers

Concealed Digital Thermostatic Mixing unit (THM-Box3)

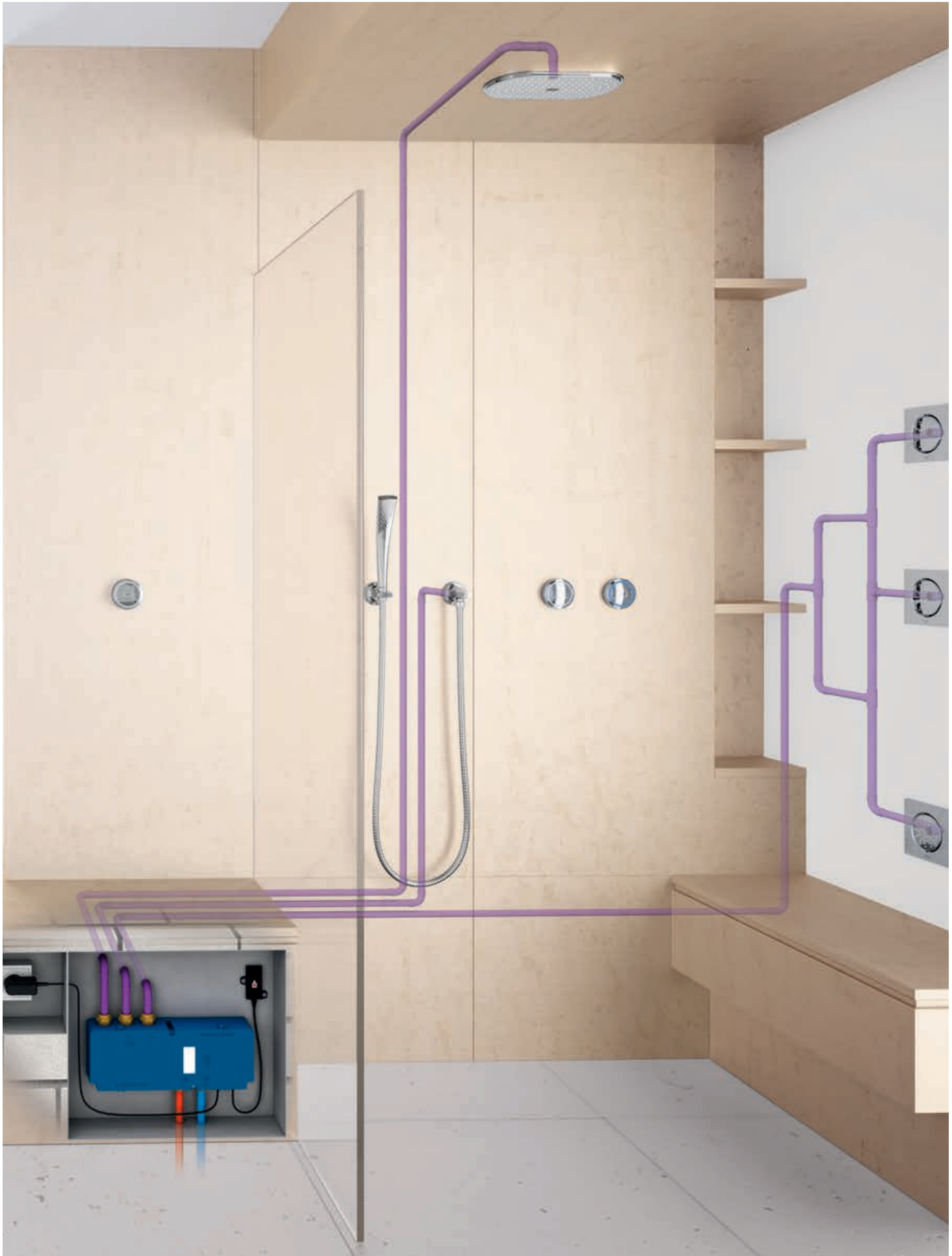
- The THM-Box3 includes a transceiver device (Gateway) which is connected to the box by a 3 m cable. It is used to ensure optimum communication between the Digital Controller/ Digital Diverter and the THM-Box3
- The 6V plug power supply requires a 230V socket
- The appliance must be provided with a dedicated circuit secured by a ground fault circuit breaker
- The THM-Box3 come with a 40 cm power cable
- A 3 m extension cable (47 727 000) is available as an addition. Max. length of extension cannot exceed 6m

Digital Controller/Digital Diverter

- The distance between the Gateway and the Digital Controller/ Digital Diverter should not be more than 5 m (maximum range)
- Both are battery powered: 3x CR2450 (3V)

Instruction for installation

- The Box must be installed in a dry and frost protected area
- Appropriate revision openings (WxHxD minimum size: 350 x 550 x 100 mm) for the THM-Box3 can be located within the facing of on-the-wall type installation
- In cases where on-the-wall installation is not feasible, appropriate revision openings need to be integrated within the existing construction wall. This type of installation can only be recommended for walls of min. 16 cm thickness.
- If the distance between the THM-Box3 and the Digital Controller/Digital Diverter is less than 5 m, the Gateway can be installed in the same revision opening as the THM-Box3
- To avoid damage to the building structure by leaking water or water spilled during maintenance work, the revision floor should have a seal of 10cm height around its perimeter
- The TVM-Box3 can be mounted in any position (e.g. turned by 90° or 180°), as long as the cover is easily accessible
- To start the shower from outside without getting wet, an additional Digital Controller (36 309 000) can be placed at the entrance to the shower area



PLANNING INFORMATION GROHE F-DIGITAL INTEGRATED SHOWER & BATH AREA WITH HEAD SHOW- ER, HAND SHOWER AND BATH SPOUT



When the bath and shower areas are located close to one another, it is possible to use a single Digital Thermostatic Mixing Unit with three outlets to supply the water to both the bath and the shower. This solution is a perfect example of the planning flexibility of GROHE F-Digital. It also requires less installation effort as only one box needs to be installed to manage the shower and the bath.

RANGE

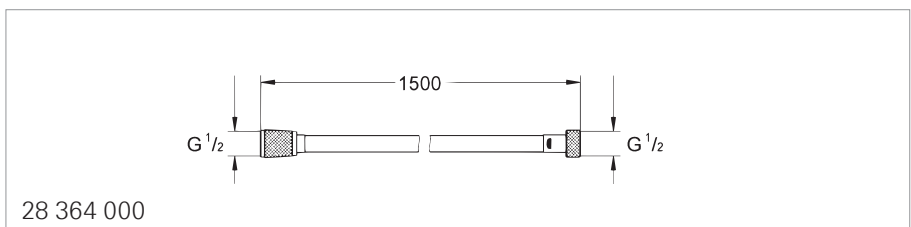
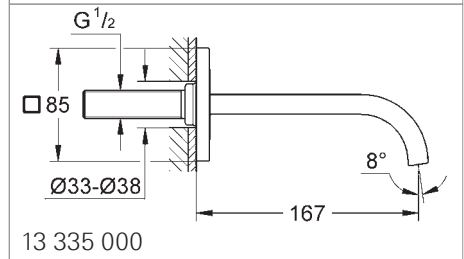
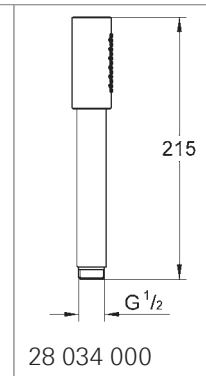
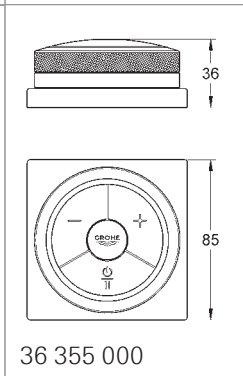
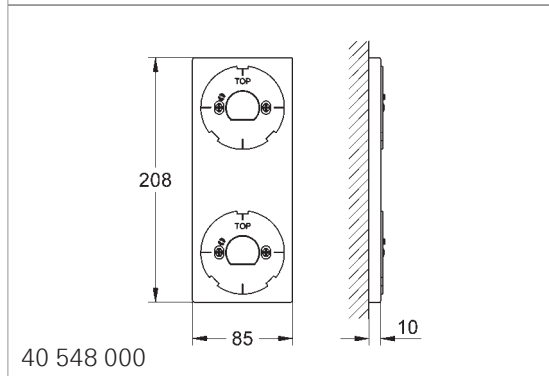
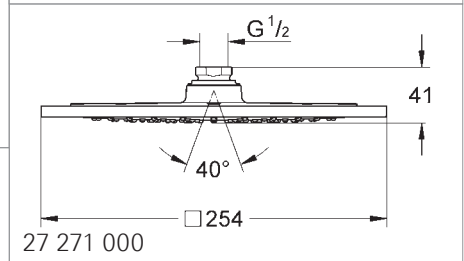
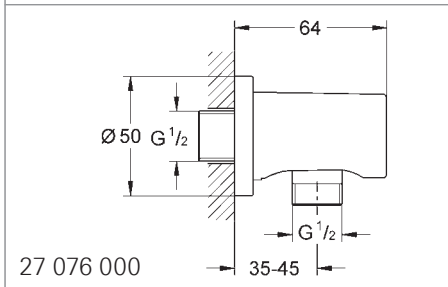
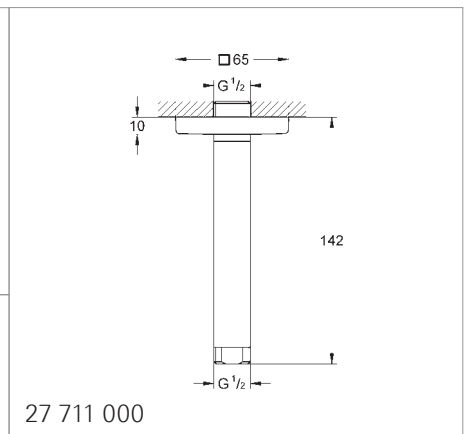
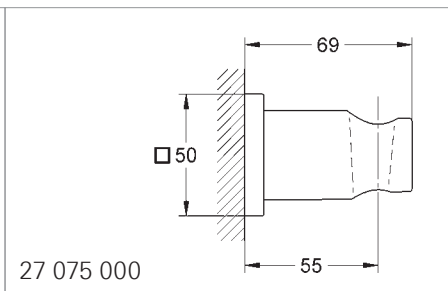
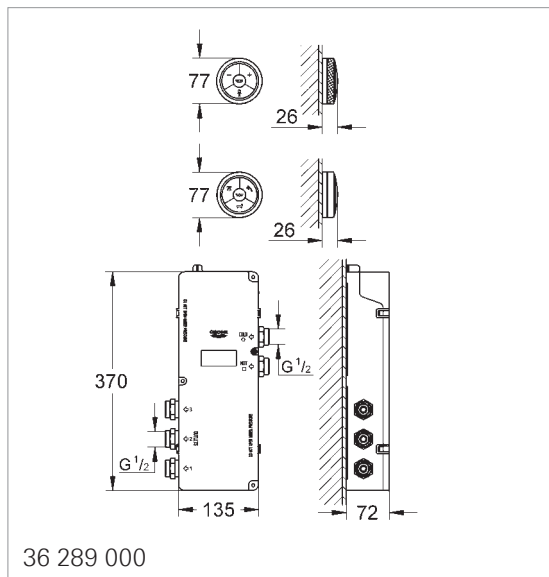
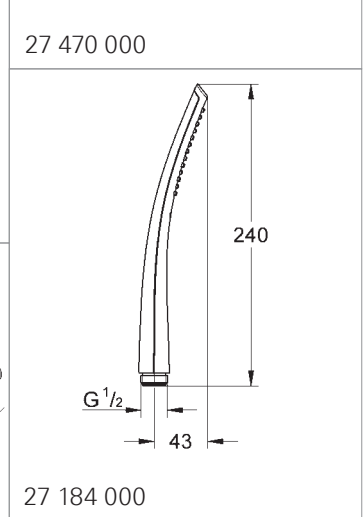
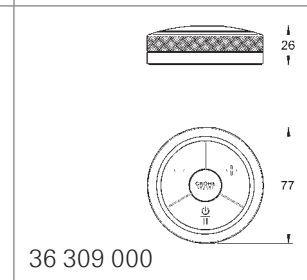
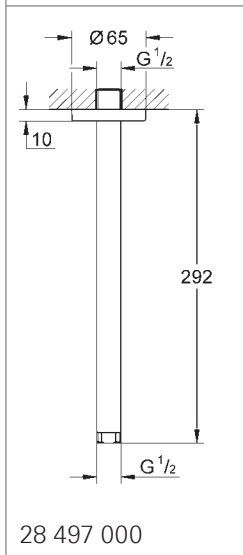
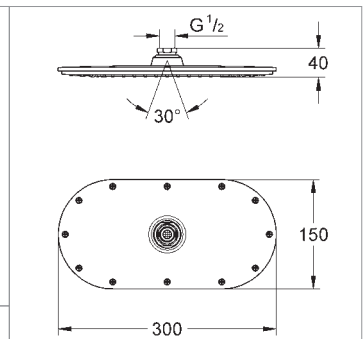
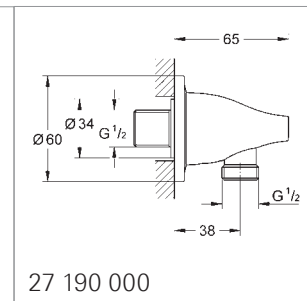
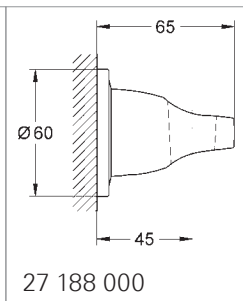
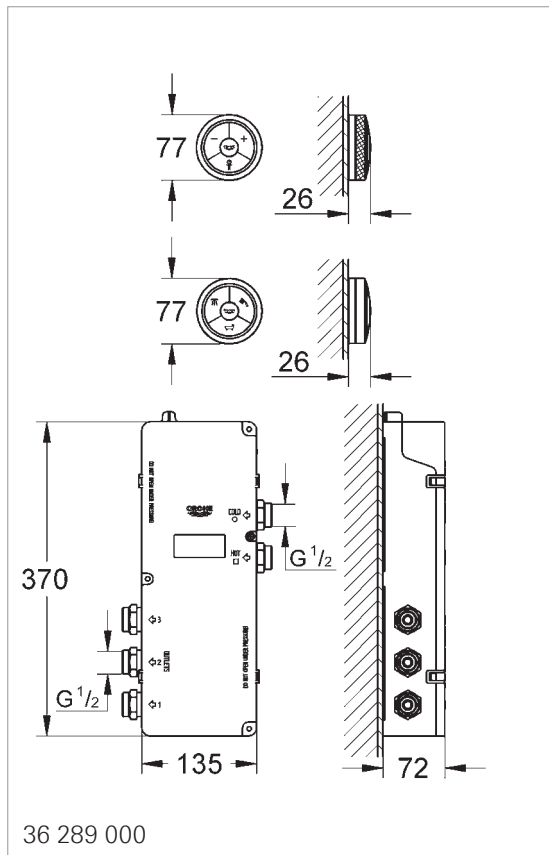
VERIS F-DIGITAL

- 36 289 000 Digital controller and digital diverter for shower including digital thermostat unit
- 27 188 000 GROHE Ondus® hand shower holder
- 27 190 000 GROHE Ondus® shower outlet elbow
- 36 309 000 F-Digital Remote Controller
- 27 184 000 GROHE Ondus® hand shower
- 27 470 000 Rainshower® Veris head shower
- 13 242 000 Veris bath spout
- 28 497 000 Rainshower® ceiling shower arm

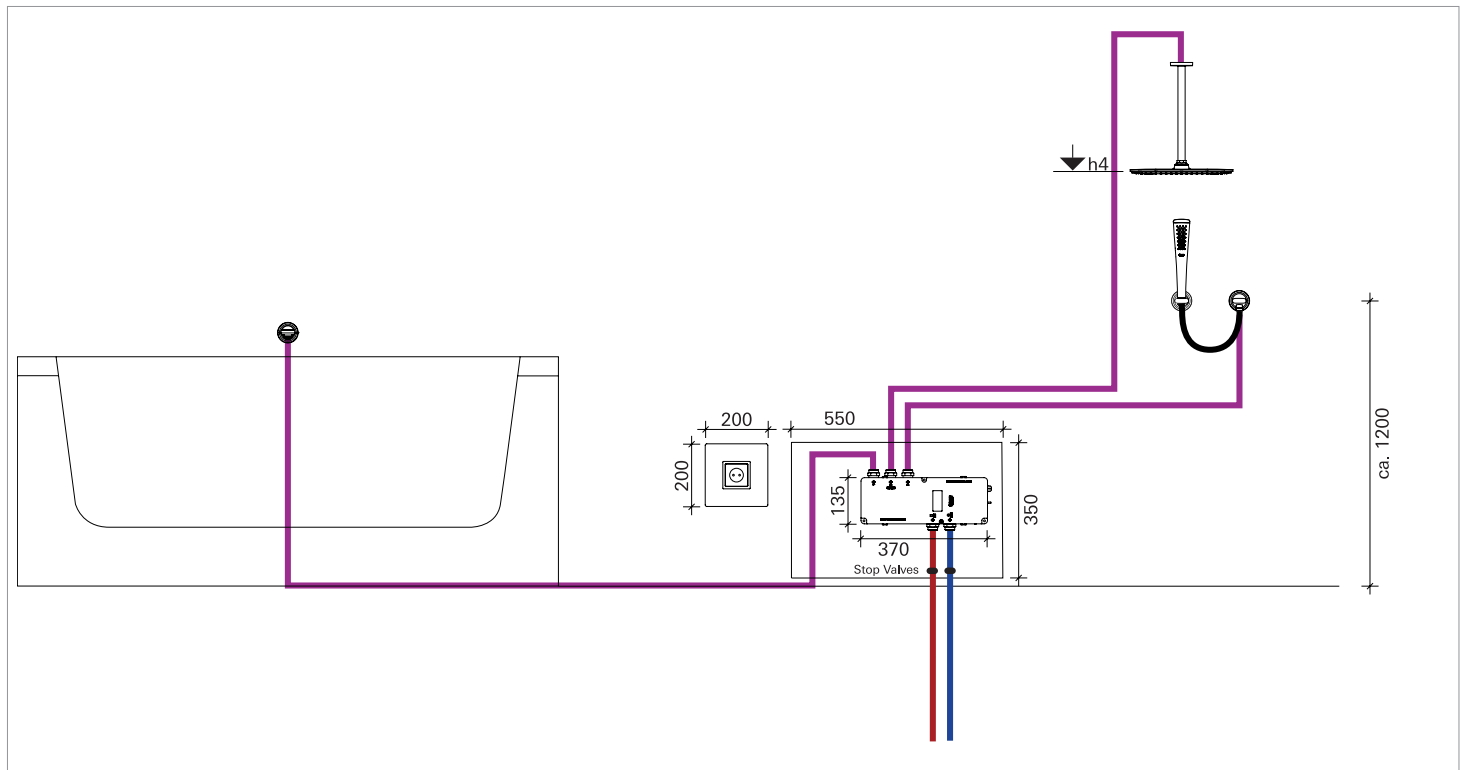
- 28 364 000 Silverflex shower hose
- 65 790 000 Power supply 230 V

ALLURE F-DIGITAL

- 36 289 000 Digital controller and digital diverter for shower including digital thermostat unit
- 40 548 000 Holder plate for controller + diverter
- 27 075 000 Rainshower® hand shower holder
- 27 076 000 Rainshower® shower outlet elbow
- 36 355 000 F-Digital Remote Controller
- 28 034 000 Sena hand shower
- 13 335 000 Allure F-Digital bath spout
- 27 271 000 Rainshower® F-Series head shower 10"
- 27485 000 Rainshower® ceiling shower arm



PLANNING INFORMATION GROHE F-DIGITAL INTEGRATED SHOWER & BATH AREA WITH HEAD SHOWER, HAND SHOWER AND BATH



TIPS FOR PLANNING

This shower and bathtub application is controlled by:

- Digital Controller and Digital Diverter
- Concealed Digital Thermostatic Mixing unit (THM-Box3)
- Head shower/Hand shower/Bath spout

Concealed Digital Thermostatic Mixing unit (THM-Box3)

- The THM-Box3 includes a transceiver device (Gateway) which is connected to the box by a 3 m cable. It is used to ensure optimum communication between the Digital Controller/ Digital Diverter and the THM-Box3
- The 6V plug power supply requires a 230V socket
- The appliance must be provided with a dedicated circuit secured by a ground fault circuit breaker
- The THM-Box3 come with a 40 cm power cable
- A 3 m extension cable (47 727 000) is available as an addition. Max. length of extension cannot exceed 6m

Digital Controller/Digital Diverter

- The distance between the Gateway and the Digital Controller/ Digital Diverter should not be more than 5 m (maximum range)
- Both are battery powered: 3x CR2450 (3V)

Instruction for installation

- The Box must be installed in a dry and frost protected area
- Appropriate revision openings (WxHx D minimum size: 350 x 550 x 100 mm) for the THM-Box3 can be located within the facing of on-the-wall type installation
- In cases where on-the-wall installation is not feasible, appropriate revision openings need to be integrated within the existing construction wall. This type of installation can only be recommended for walls of min. 16 cm thickness.
- If the distance between the THM-Box3 and the Digital Controller/Digital Diverter is less than 5 m, the Gateway can be installed in the same revision opening as the THM-Box3
- To avoid damage to the building structure by leaking water or water spilled during maintenance work, the revision floor should have a seal of 10cm height around its perimeter
- The TVM-Box3 can be mounted in any position (e.g. turned by 90° or 180°), as long as the cover is easily accessible
- Two Digital Controllers are recommended – one fixed at the bathtub to control the bath filling, the other within the shower area to adjust temperature and water flow while taking a shower.



PLANNING INFORMATION GROHE F-DIGITAL SOLUTIONS FOR WC/BIDET



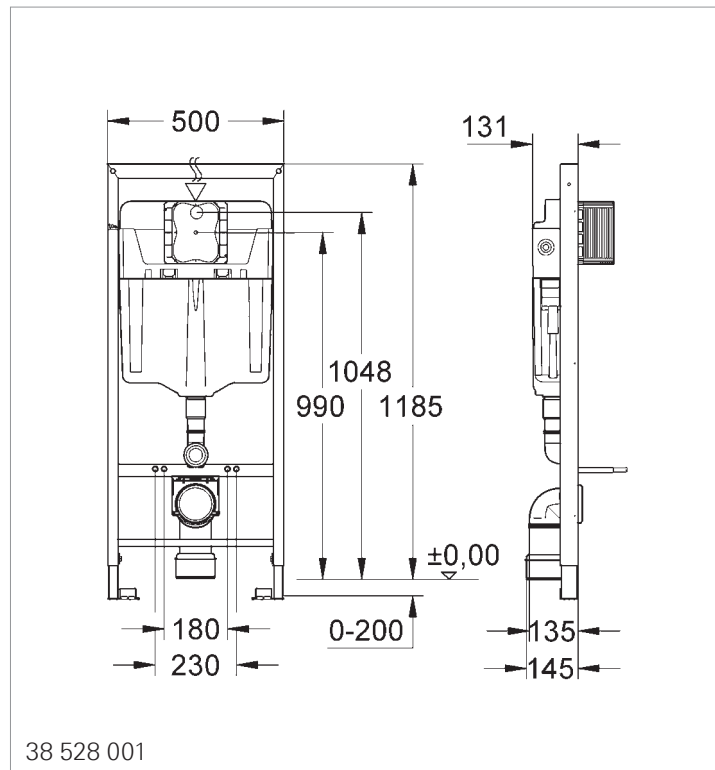
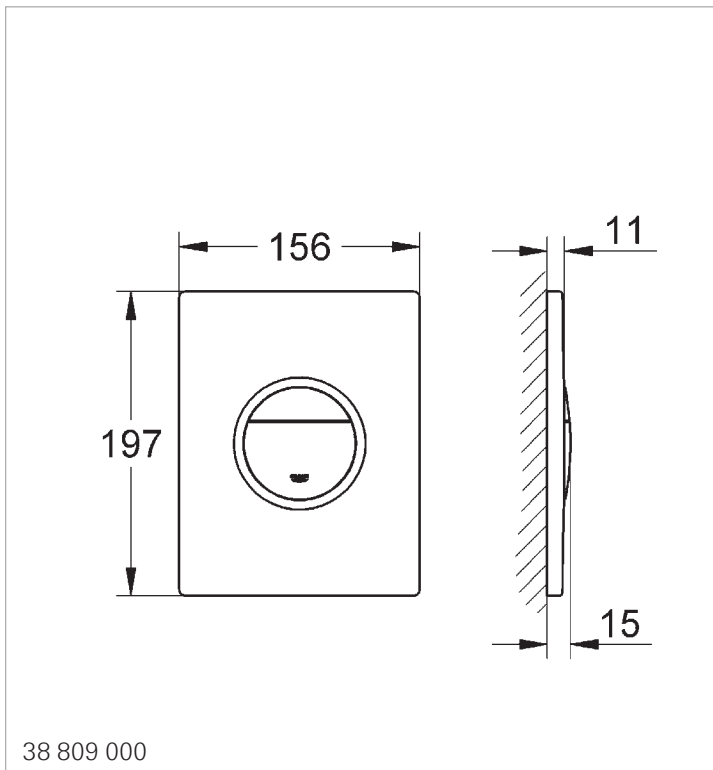
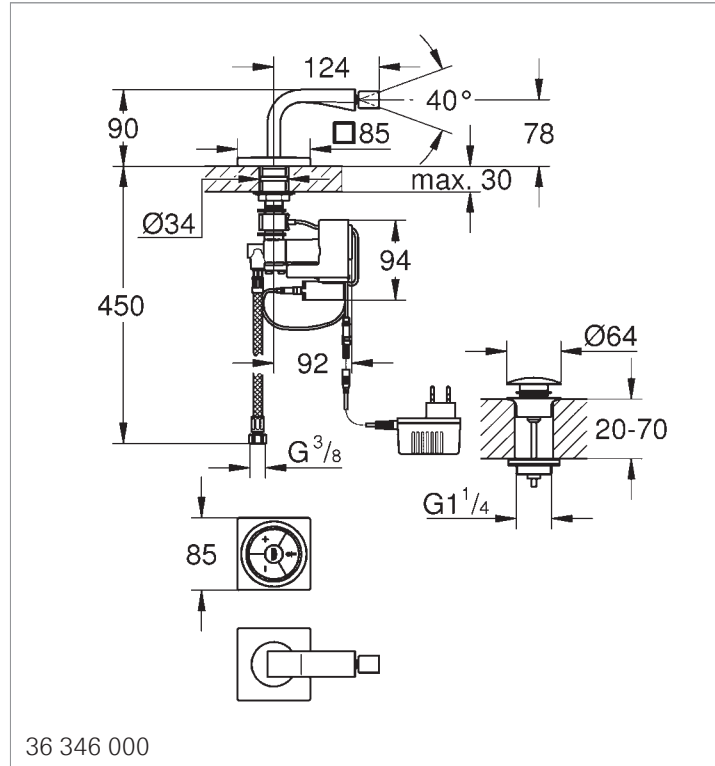
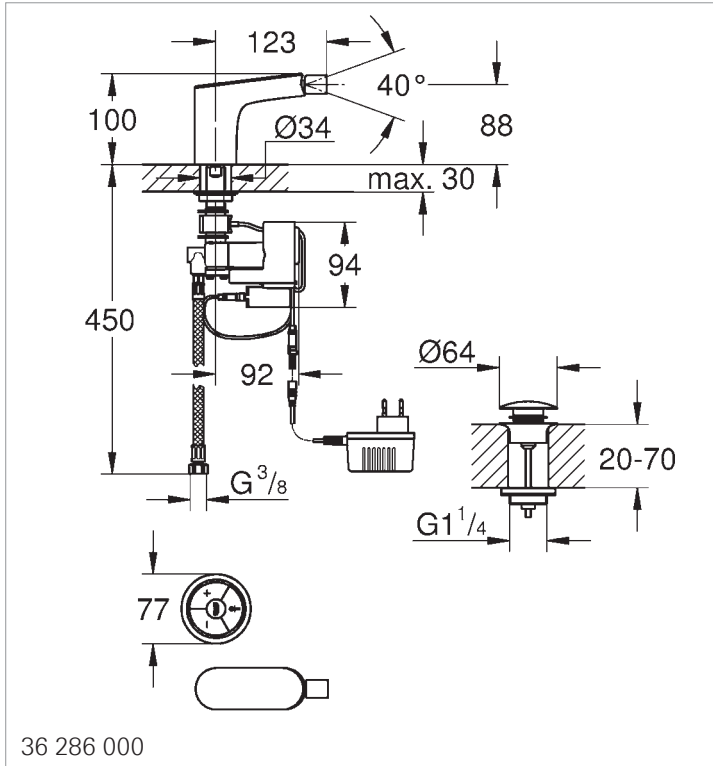
With GROHE F-digital and Nova Light flush actuation plate, integrating digital technology throughout the bathroom has never been easier. The Rapid SL bidet and WC frames are installed in front of the wall to safely and securely fix the wall-hung basin and bidet. The Nova Light flush plate, featuring LED technology coordinates perfectly with the digitally-controlled bidet faucet.

The bidet solution comprises:

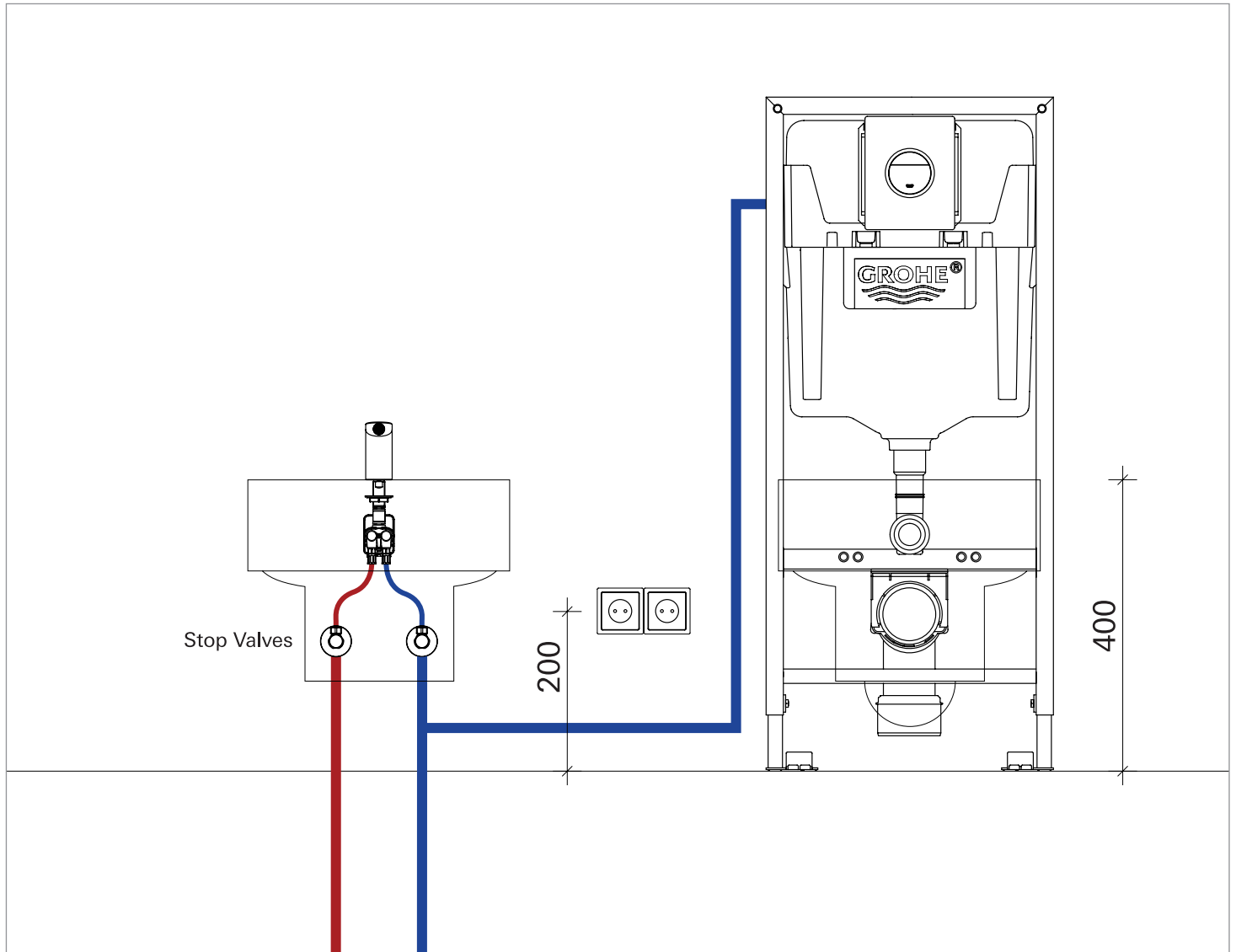
- Digital Controller
- Digital Mixing unit
- Bidet spout
- Build-in power supply

RANGE

- 36 286 000 Veris F-Digital digital bidet mixer including digital mixing device
- 36 346 000 Allure F-Digital digital bidet mixer including digital mixing device
- 38 809 000 Nova Cosmopolitan Light wall plate
- 38 528 001 Rapid SL for WC
- 65 790 000 Power supply 230 V



PLANNING INFORMATION GROHE F-DIGITAL SOLUTIONS FOR WC/BIDET



TIPS FOR PLANNING

Digital Mixing unit

- Due to its compact size the TVM easily fits underneath the ceramic

Digital Controller

- The distance between the TVM and the Digital Controller should not be more than 5 metres (maximum range)
- Within the maximum range the Digital Controller can be positioned anywhere
- The Digital Controller is battery powered: 3x CR2450 (3V)

Instruction for installation

- The Digital Controller should be fixed to a surface to ensure easy operation
- To avoid damage to the building structure by leaking water or water spilled during maintenance work, the revision floor should have a seal of 10cm height around its perimeter
- Alternatively, a drainage connection may also be considered







PLANNING INFORMATION GROHE GROHTHERM F

The Grohtherm F collection of thermostatic shower controls and modules gives you the flexibility to design the perfect home Spa for your clients.

The modular system allows you to control numerous combinations of shower outlet and body spray while the integrated GROHE TurboStat® technology ensures the perfect water temperature at all times. The collection's cosmopolitan design, which showcases GROHE's use of squares, rectangles and cylinders, complements GROHE Rainshower® F showers, GROHE Allure faucets and all the other cosmopolitan products. So you can create a customised and perfectly coordinated SPA for your clients' home.

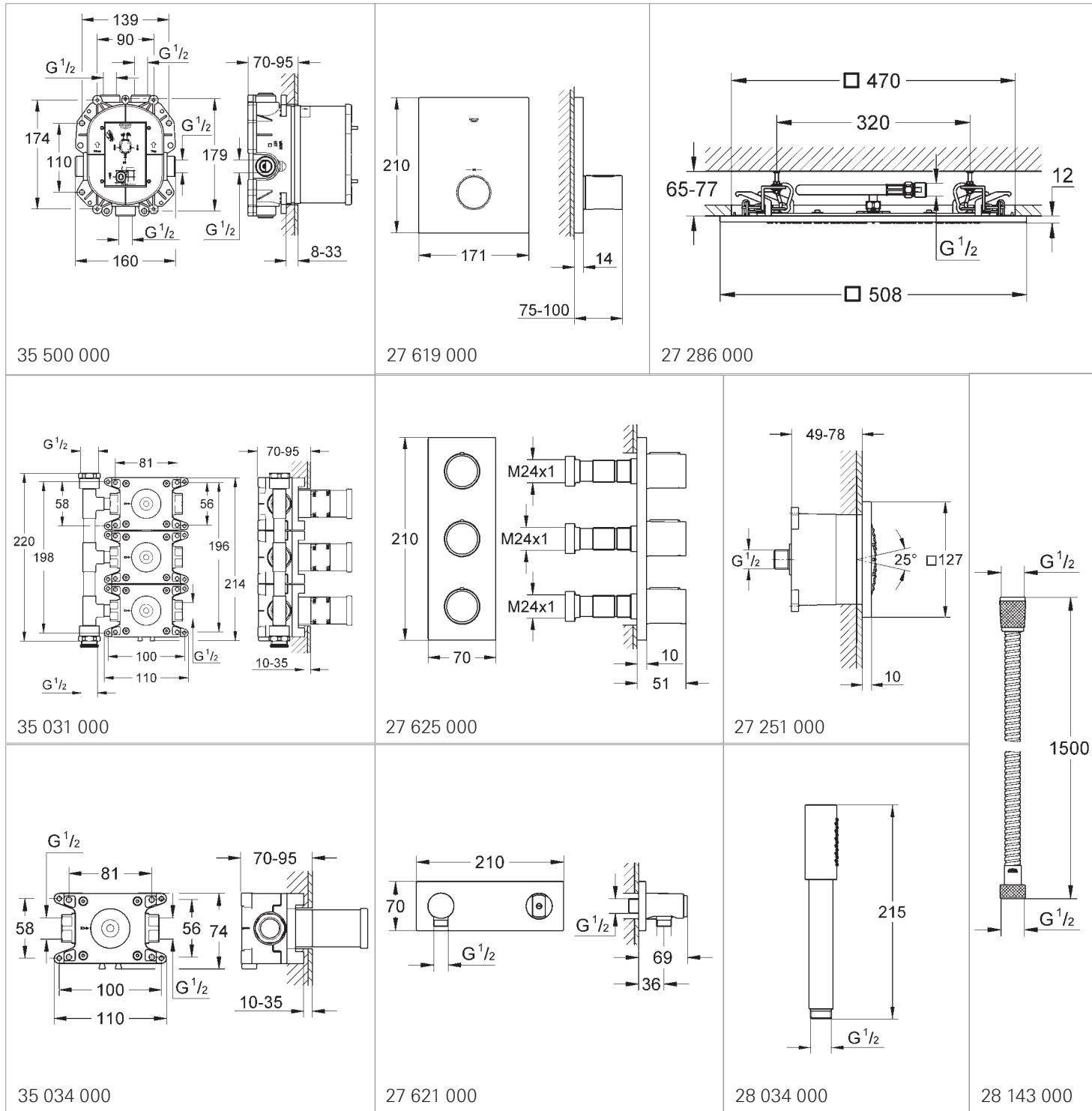
The Grohtherm F collection – a perfect balance of Design, Functionality and Performance.

For a full list of GROHE products please ask for our brochures or visit [grohe.com](https://www.grohe.com)

PLANNING INFORMATION GROHE GROHTHERM F CENTRAL THERMOSTAT WITH VOLUME CONTROL, CEILING, HAND AND SIDE SHOWERS



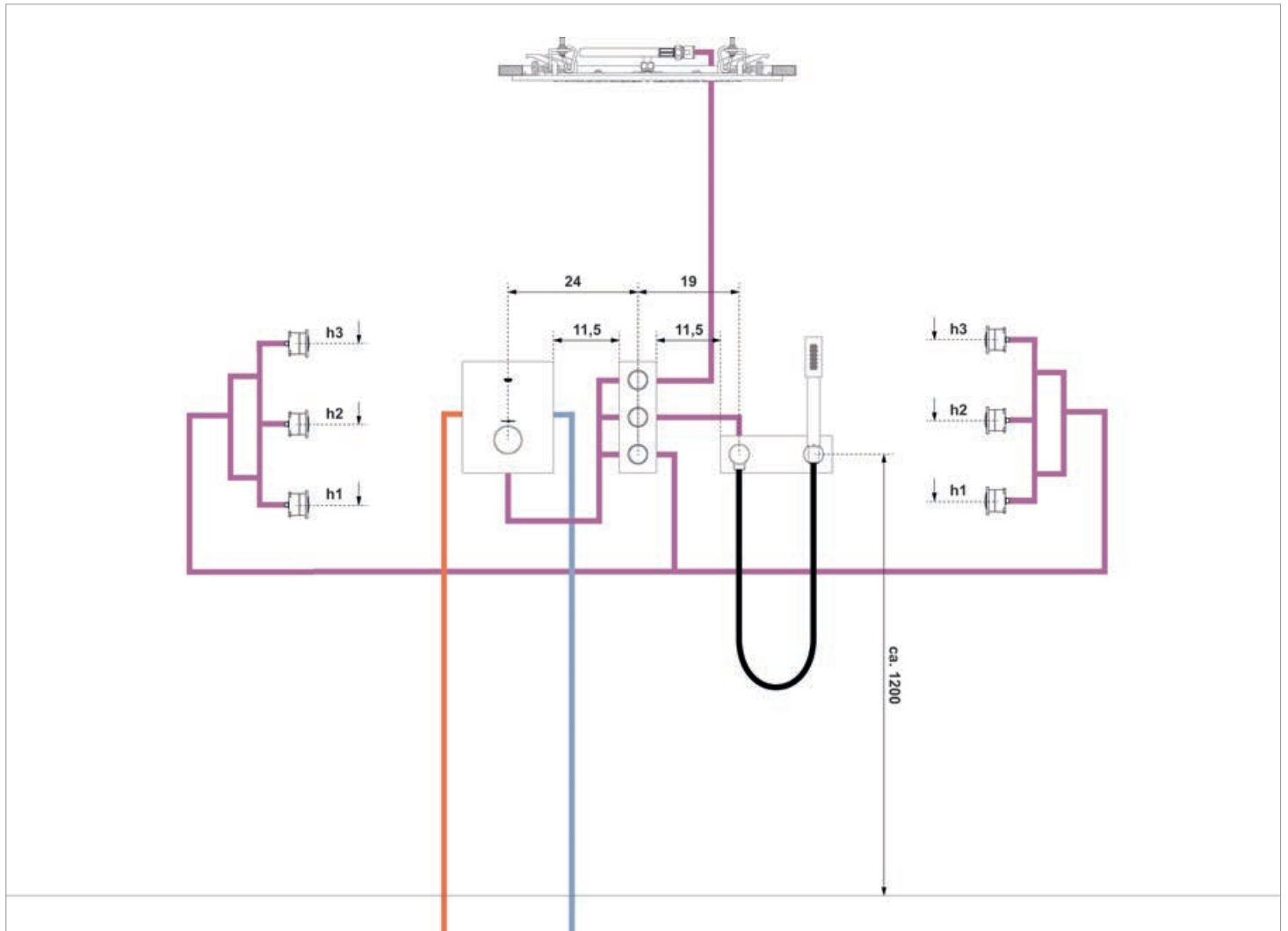
This is one of the most popular configurations for a luxury custom shower. It includes a 400mm ceiling shower, a triple volume control, body jets and a hand shower. The Central Thermostat, which features GROHE TurboStat, can run the ceiling shower and six body jets at the same time.



RANGE

- 35 500 000 GROHE Rapido-T universal thermostatic mixer for concealed installation
- 27 619 000 Grohtherm F thermostatic trim
- 35 031 000 GROHE Rapido-C rough-in for triple volume control without finishing trim set
- 27 625 000 Grohtherm F triple volume control trim
- 28 143 000 Relaxa metal hose
- 35 034 000 Grohtherm F rough-in for wall shower union
- 27 621 000 Grohtherm F wall shower union with integrated shower holder
- 27 286 000 Rainshower® F-Series ceiling shower 20"
- 28 034 000 Sena hand shower
- 27 251 000 Rainshower® F-Series side shower 5"

PLANNING INFORMATION GROHE GROHTHERM F CENTRAL THERMOSTAT WITH VOLUME CONTROL, CEILING, HAND AND SIDE SHOWERS



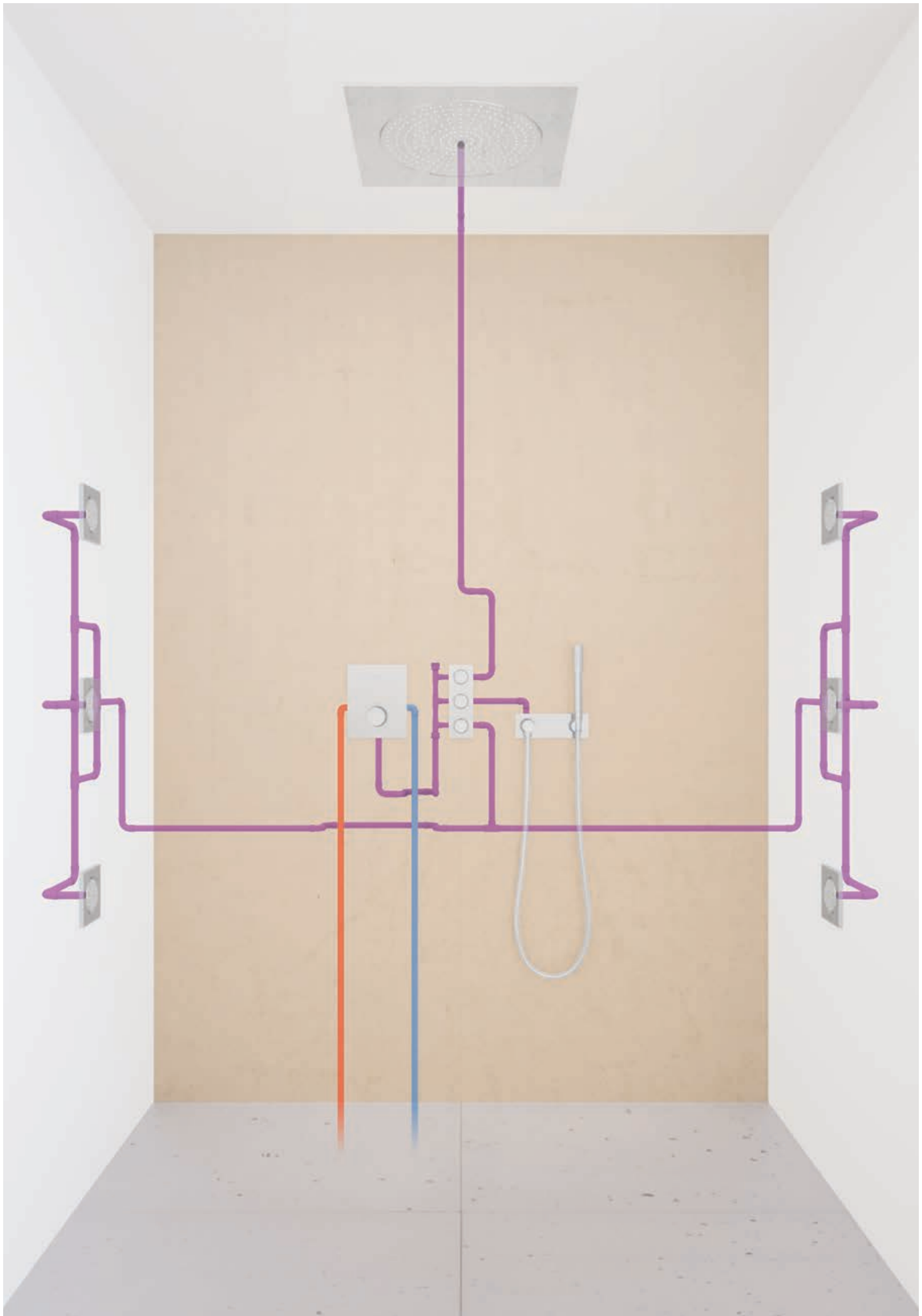
TIPS FOR PLANNING

- The minimum installation distances are shown in the diagram
- During installation the body jets should be reduced to 5l/min flow using the integrated flow limiter.
- Use the bottom outlet of Rapido T, which is designed for high flow, to connect the triple volume control.
- The installation depth is 70-95mm.
- For deeper installations, extension kits are available.
- The rough-ins come in installation boxes with lugs for easy fixing.
- The rough-ins are delivered with gaskets for sealed wall installation.
- The piping to the body jets must be in a loop to ensure balanced water flow from each body jet.

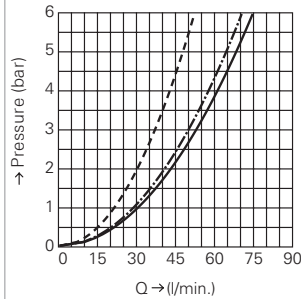
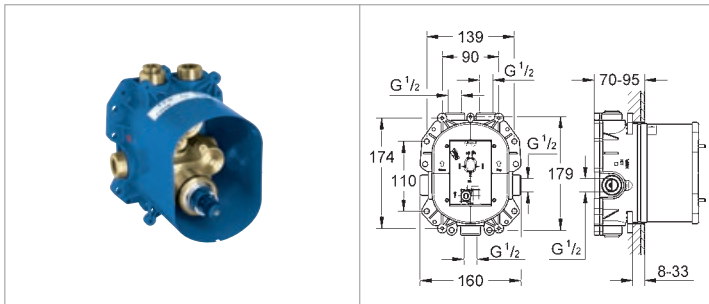
- The minimum required water pressure is 3 bar each for hot water and cold water.
- The maximum number of body jets that can be used at the same time as the headshower depends on the water pressure.

The options are:

- From 2-3 bar flow pressure: a maximum of 4 body jets.
- From 1.5-2 bar flow pressure: a maximum of 3 body jets.
- From 1-1.5 bar flow pressure: a maximum of 2 body jets.



PLANNING INFORMATION GROHE GROHTHERM F CENTRAL THERMOSTAT WITH VOLUME CONTROL, CEILING, HAND AND SIDE SHOWERS



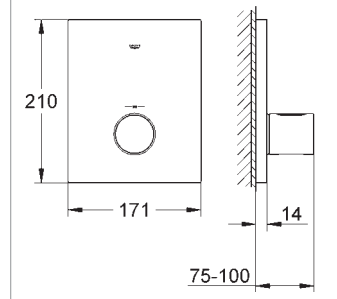
Pressure loss curve without downstream resistance, temperature selector setting, 38°C

bar	1	2	3	4	5	6
— max.	30.6	43.3	53.0	61.2	68.4	75.0
- - - Outlet above	21.4	30.2	37.0	42.7	47.8	52.3
- · - · - Outlet below	28.9	40.8	50.0	57.7	64.5	70.7
l/min.						

35 500 000

GROHE Rapido T

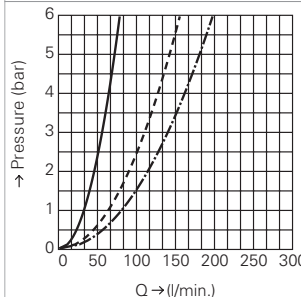
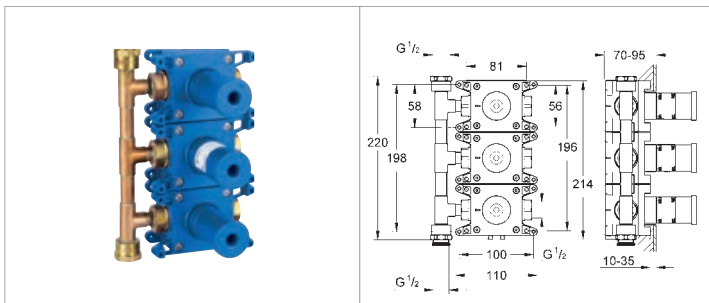
Universal thermostatic mixer for concealed installation without finishing trim set with wax thermoelement bottom outlet 1/2" - can only be used with separate stopvalve built-in non return valve and dirt strainers two top outlets 1/2", lockabl



27 619 000

Grotherm F

Thermostatic trim for high-flow, multiple outlet custom shower applications requires separate volume controls for use with Rapido T rough-in box 35 500 000 sold separately



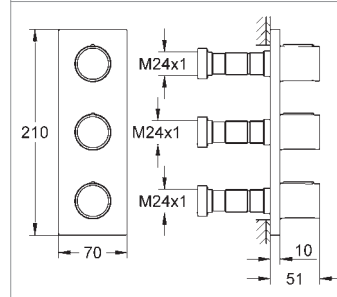
Pressure loss curve without downstream resistance.

bar	1	2	3	4	5	6
— one valve opened	31.8	44.9	55.0	63.5	71.0	77.8
- - - two valves opened	63.5	89.8	110.0	127.0	142.0	155.6
- · - · - three valves opened	80.8	114.3	140.0	161.7	180.7	198.0
l/min.						

35 031 000

GROHE Rapido C

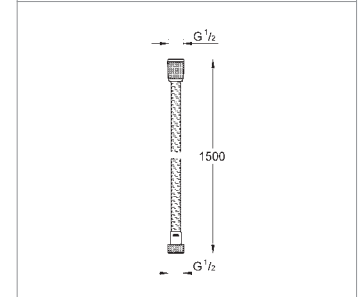
Rough-in for triple volume control 27 625 000 without finishing trim set for grid installation of Grotherm Custom Shower system built-in box with removable protection cover waterproof membrane base for wall sealing



27 625 000

Grotherm F

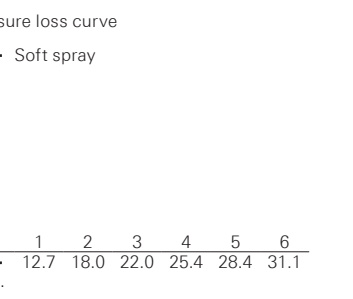
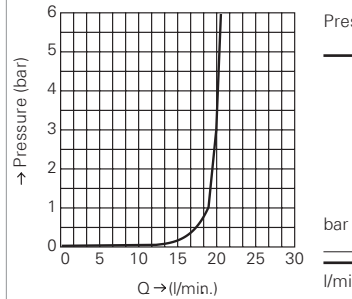
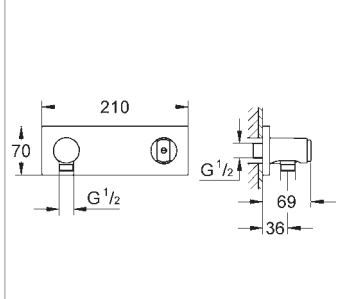
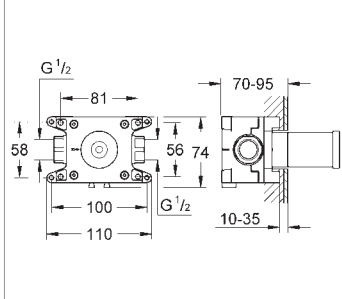
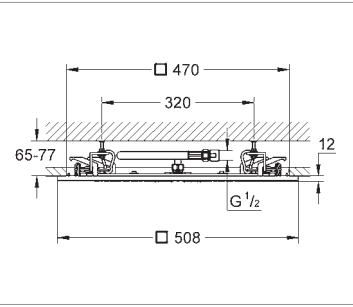
Triple volume control trim for use with rough-in box 35 031 000 (1/2" connections) sold separately vertical and horizontal installation



28 143 000

Relexa

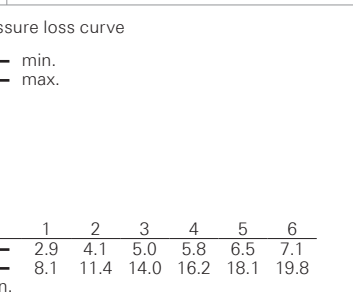
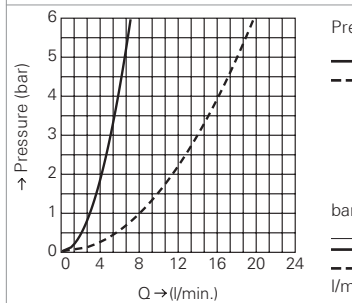
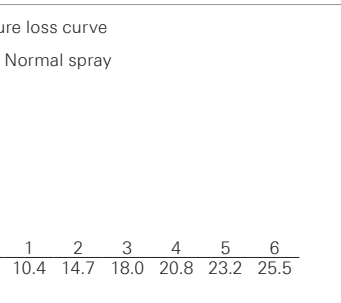
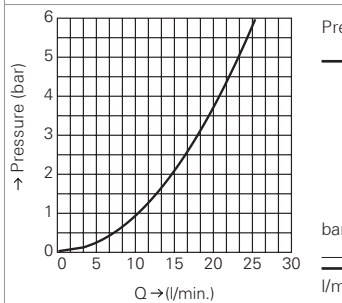
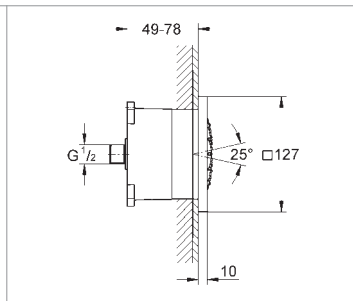
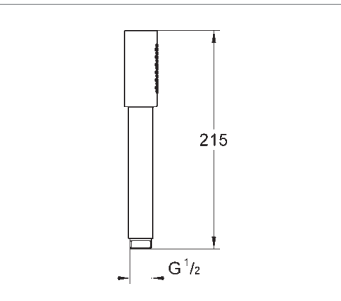
Metal hose 1.500 mm, 1/2" x 1/2" Longlife



35 034 000
Grotherm F
 Rough-in for wall shower union
 27 621 000
 for grid installation of Grotherm
 Custom Shower system
 installation depth 70 mm - 95 mm

27 621 000
Grotherm F
 Wall shower union with integrated
 shower holder
 for use with rough-in box
 35 034 000 (1/2" connection)
 sold separately
 vertical and horizontal installation

27 286 000
Rainshower® F-Series
 Ceiling shower 20"
 508 mm x 508 mm
 Rain spray
 suitable for instantaneous heater
 recommended minimum flow rate 12 l/min



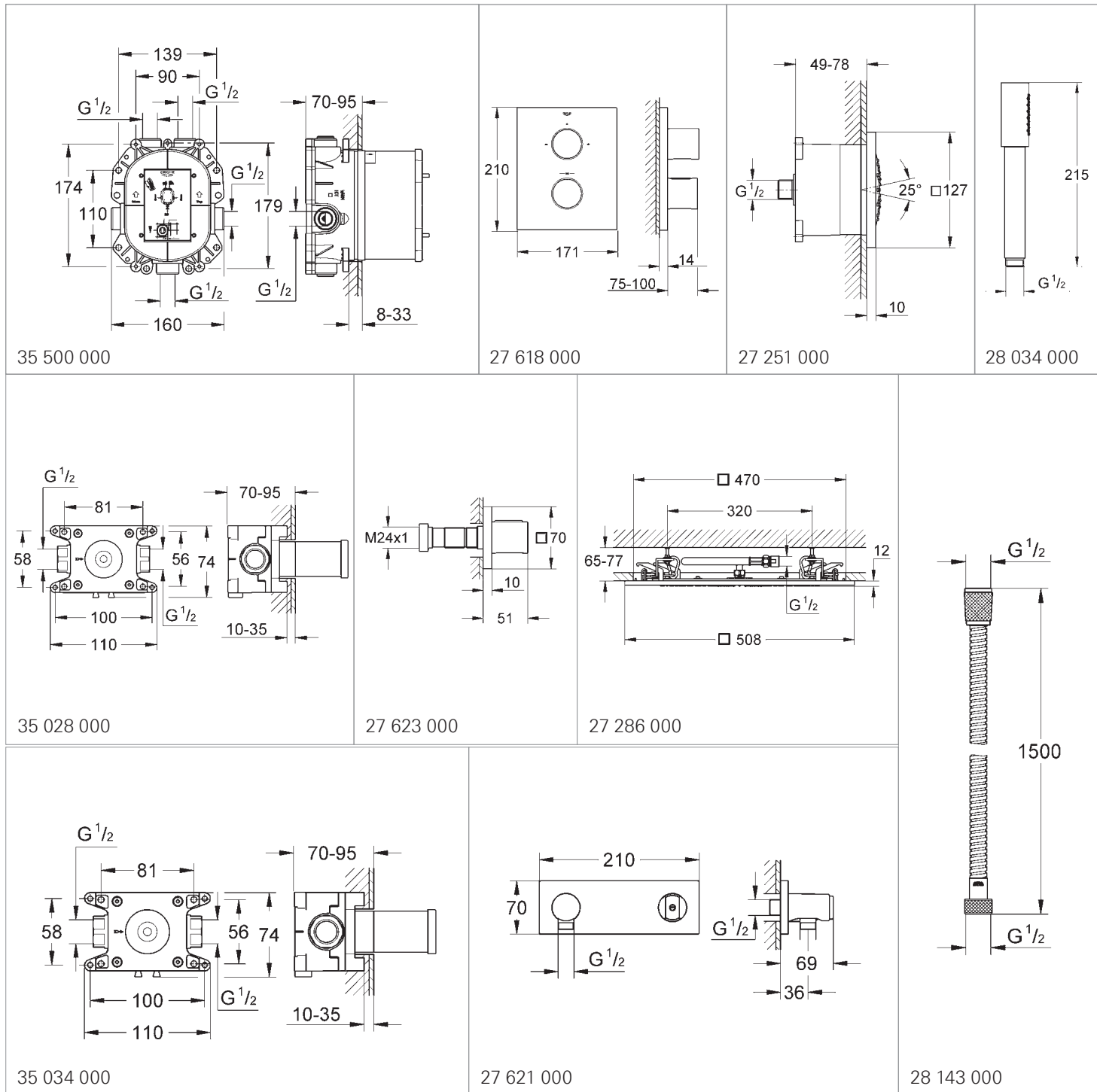
28 034 000
Sena
 Hand shower
 normal spray

27 251 000
Rainshower® F-Series
 Side shower 5"
 127 mm x 127 mm
 normal spray
 suitable for instantaneous heater
 recommended minimum flow rate 5 l/min

PLANNING INFORMATION GROHE GROHTHERM F THERMOSTAT WITH AQUADIMMER, SINGLE VOLUME CONTROL, CEILING, HAND AND SIDE SHOWERS



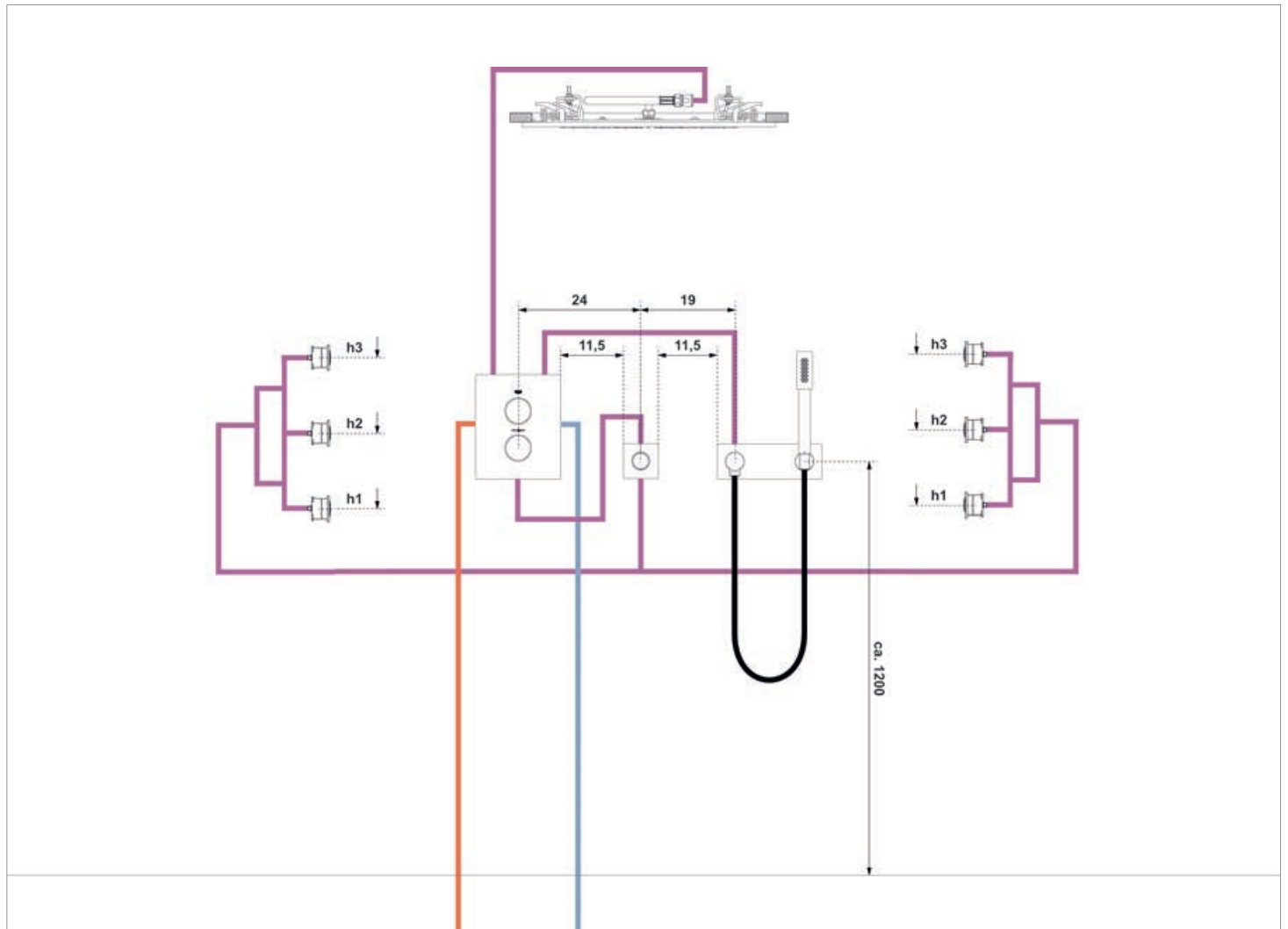
This installation has a 400mm ceiling shower, six body jets and a hand shower. It is operated by a thermostatic temperature control, which has GROHE TurboStat, and an integrated Aquadimmer. The Aquadimmer switches the flow of water between the headshower and the handshower; it also controls the flow rate. The body jets can be operated using the single volume control.



RANGE

- 35 500 000 GROHE Rapido-T universal thermostatic mixer for concealed installation without finishing trim set
- 27 618 000 Grohtherm F thermostatic trim
- 35 028 000 GROHE Rapido-C rough-in for single volume control
- 27 623 000 Grohtherm F single volume control trim
- 28 143 000 Relaxa metal hose
- 35 034 000 Grohtherm F rough-in for wall shower union
- 27 621 000 Grohtherm F wall shower union with integrated shower holder
- 27 286 000 Rainshower® F-Series ceiling shower 20"
- 28 034 000 Sena hand shower
- 27 251 000 Rainshower® F-Series side shower 5"

PLANNING INFORMATION GROHE GROHTHERM F THERMOSTAT WITH AQUADIMMER, SINGLE VOLUME CONTROL, CEILING, HAND AND SIDE SHOWERS

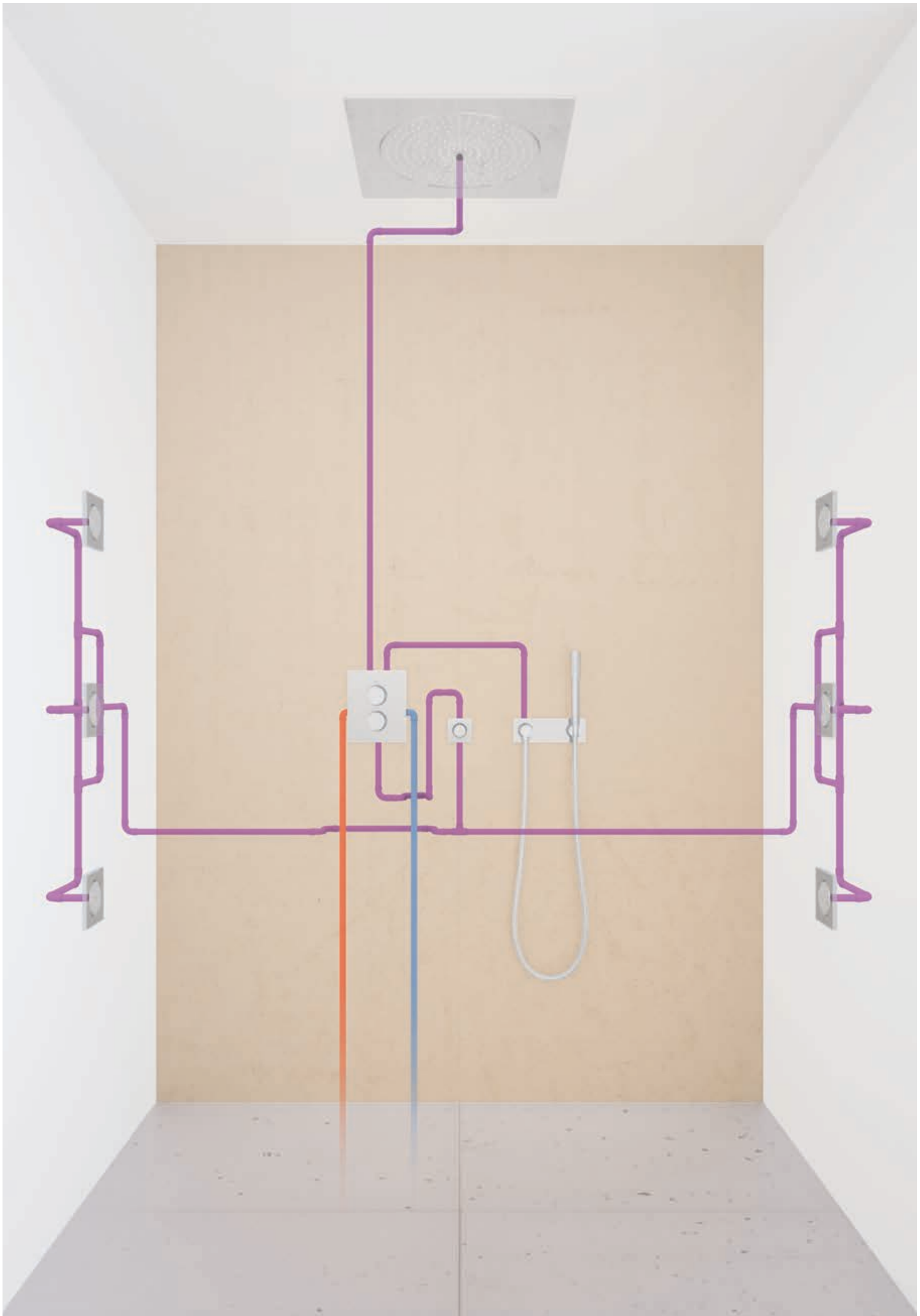


TIPS FOR PLANNING


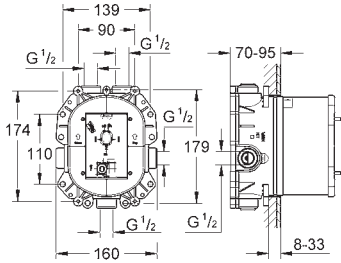
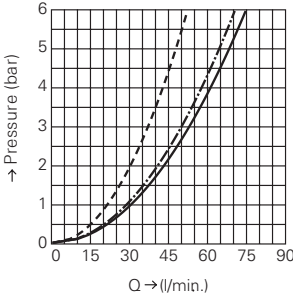
- The minimum installation distances are shown in the diagram.
- During installation the body jets should be reduced to 5l/min flow using the integrated flow limiter.
- The installation depth is 70-95mm.
- For deeper installations, extension kits are available.
- The rough-ins come in installation boxes with lugs for easy fixing.
- The rough-ins are delivered with gaskets for sealed wall installation.
- The piping to the body jets must be in a loop to ensure balanced water flow from each body jet.
- Connect the body jets to bottom outlet, which is designed for high-flow use.
- Connect the headshower to the top/left outlet and align with markings on the trim.
- Connect hand shower to the top/right outlet and align with markings on the trim.
- The minimum required water pressure is 3 bar each for hot water and cold water.
- The maximum number of body jets that can be used at the same time as the headshower depends on the water pressure.

The options are:

- From 2-3 bar flow pressure: a maximum of 4 body jets.
- From 1.5-2 bar flow pressure: a maximum of 3 body jets.
- From 1-1.5 bar flow pressure: a maximum of 2 body jets.



PLANNING INFORMATION GROHE GROHTHERM F THERMOSTAT WITH AQUADIMMER, SINGLE VOLUME CONTROL, CEILING, HAND AND SIDE SHOWERS


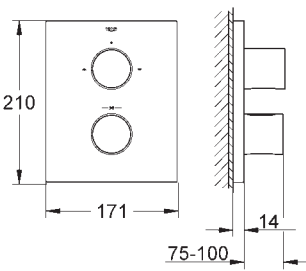
Pressure loss curve without downstream resistance, temperature selector setting, 38°C

— max.
- - - Outlet above
- · - · Outlet below


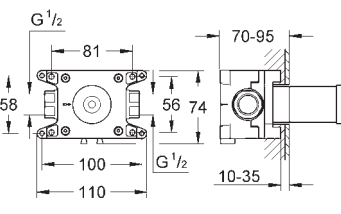
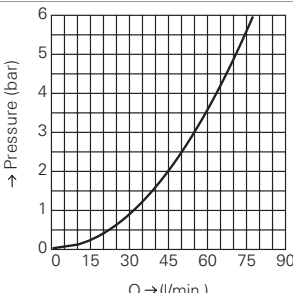
bar	1	2	3	4	5	6
—	30.6	43.3	53.0	61.2	68.4	75.0
- - -	21.4	30.2	37.0	42.7	47.8	52.3
- · - ·	28.9	40.8	50.0	57.7	64.5	70.7

Q → (l/min.)

35 500 000
GROHE Rapido T
Universal thermostatic mixer for concealed installation without finishing trim set with wax thermoelement bottom outlet 1/2" - can only be used with separate stopvalve built-in non return valve and dirt strainers two top outlets 1/2", lockabl

27 618 000
Grotherm F
Thermostatic Module with 2-way AquaDimmer for use with Rapido 35 500 000


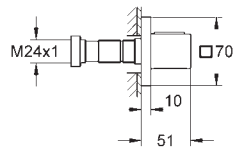
Pressure loss curve without downstream resistance.

— Pressure loss curve without downstream resistance.


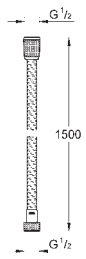
bar	1	2	3	4	5	6
—	31.8	44.9	55.0	63.5	71.0	77.8

Q → (l/min.)

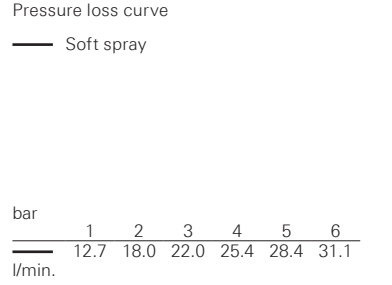
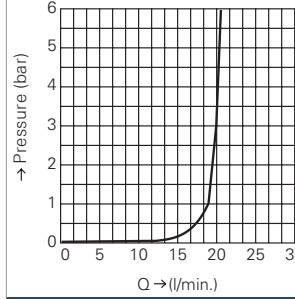
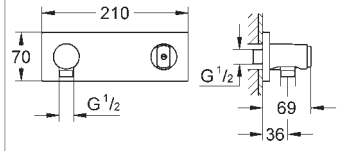
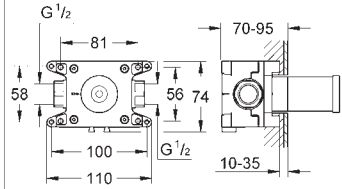
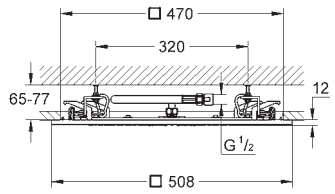
35 028 000
GROHE Rapido C
Rough-in for single volume control 27 623 000 without finishing trim set installation depth 70 mm - 95 mm for grid installation of Grotherm Custom Shower system

27 623 000
Grotherm F
Single volume control trim for use with rough-in box 35028000 sold separately

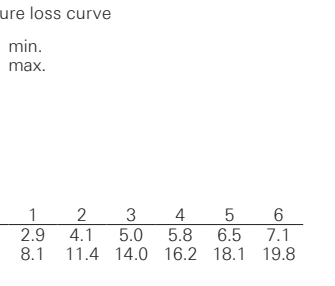
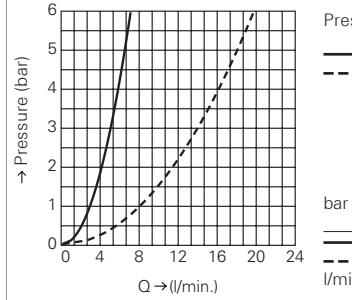
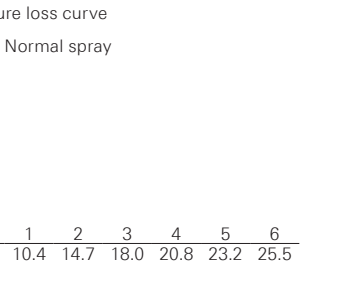
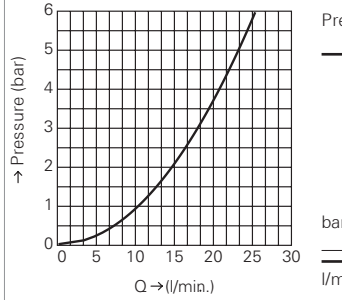
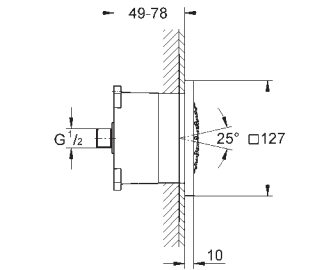
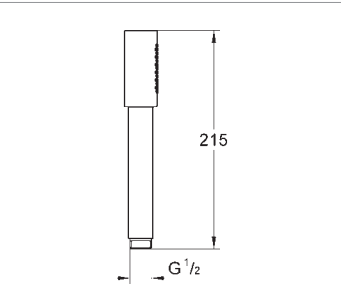
28 143 000
Relax
Metal hose 1.500 mm, 1/2" x 1/2" Longlife



35 034 000
Grotherm F
Rough-in for wall shower union
27 621 000
for grid installation of Grotherm
Custom Shower system
installation depth 70 mm - 95 mm

27 621 000
Grotherm F
Wall shower union with integrated
shower holder
for use with rough-in box
35 034 000 (1/2" connection)
sold separately
vertical and horizontal installation

27 286 000
Rainshower® F-Series
Ceiling shower 20"
508 mm x 508 mm
Rain spray
suitable for instantaneous heater
recommended minimum flow rate 12 l/min



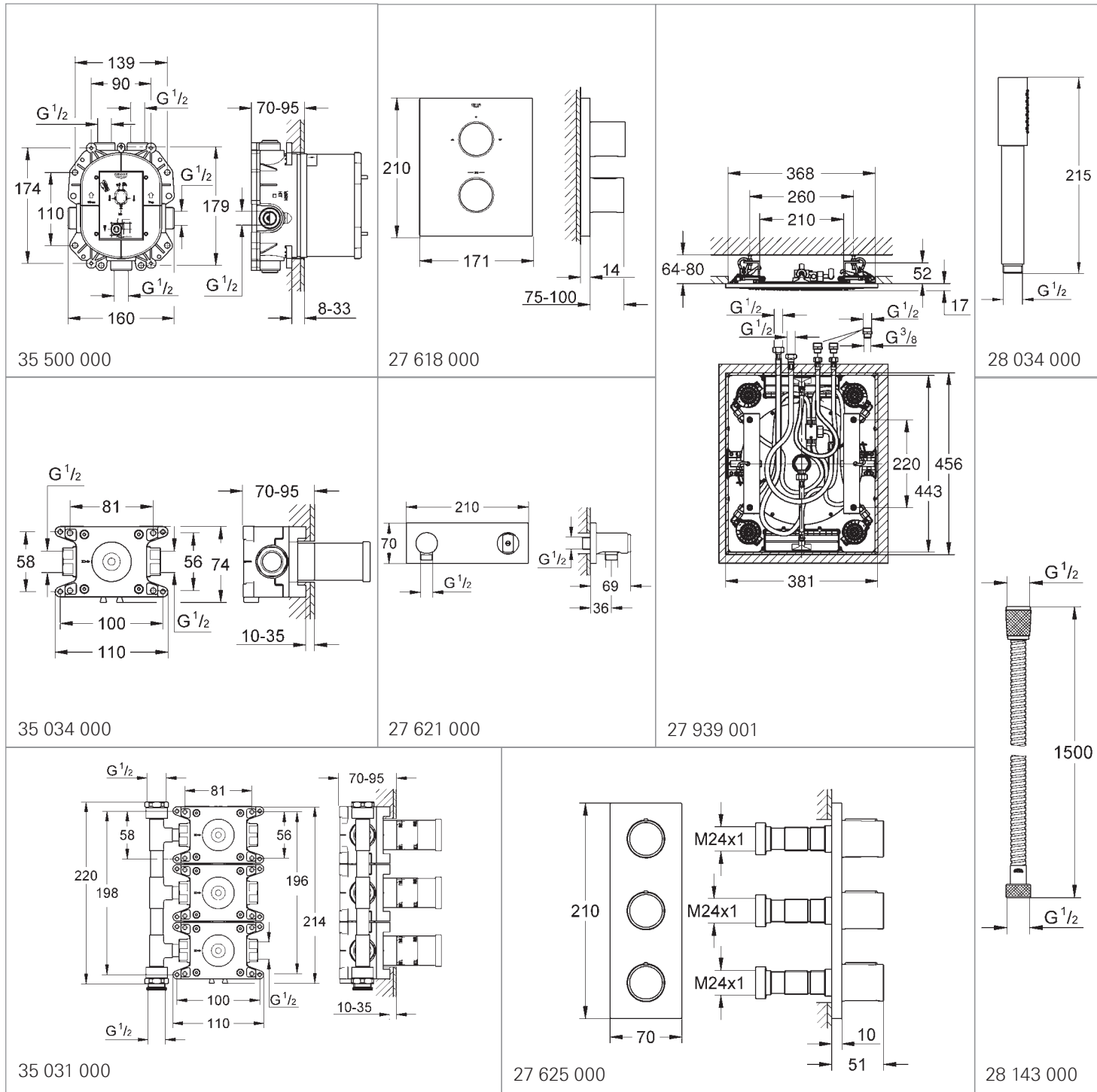
28 034 000
Sena
Hand shower
normal spray

27 251 000
Rainshower® F-Series
Side shower 5"
127 mm x 127 mm
normal spray
suitable for instantaneous heater
recommended minimum flow rate 5 l/min

PLANNING INFORMATION GROHE GROHTHERM F CENTRAL THERMOSTAT WITH TRIPLE VOL. CONTROL, MULTISPRAY CEILING SHOWER AND HAND SHOWER



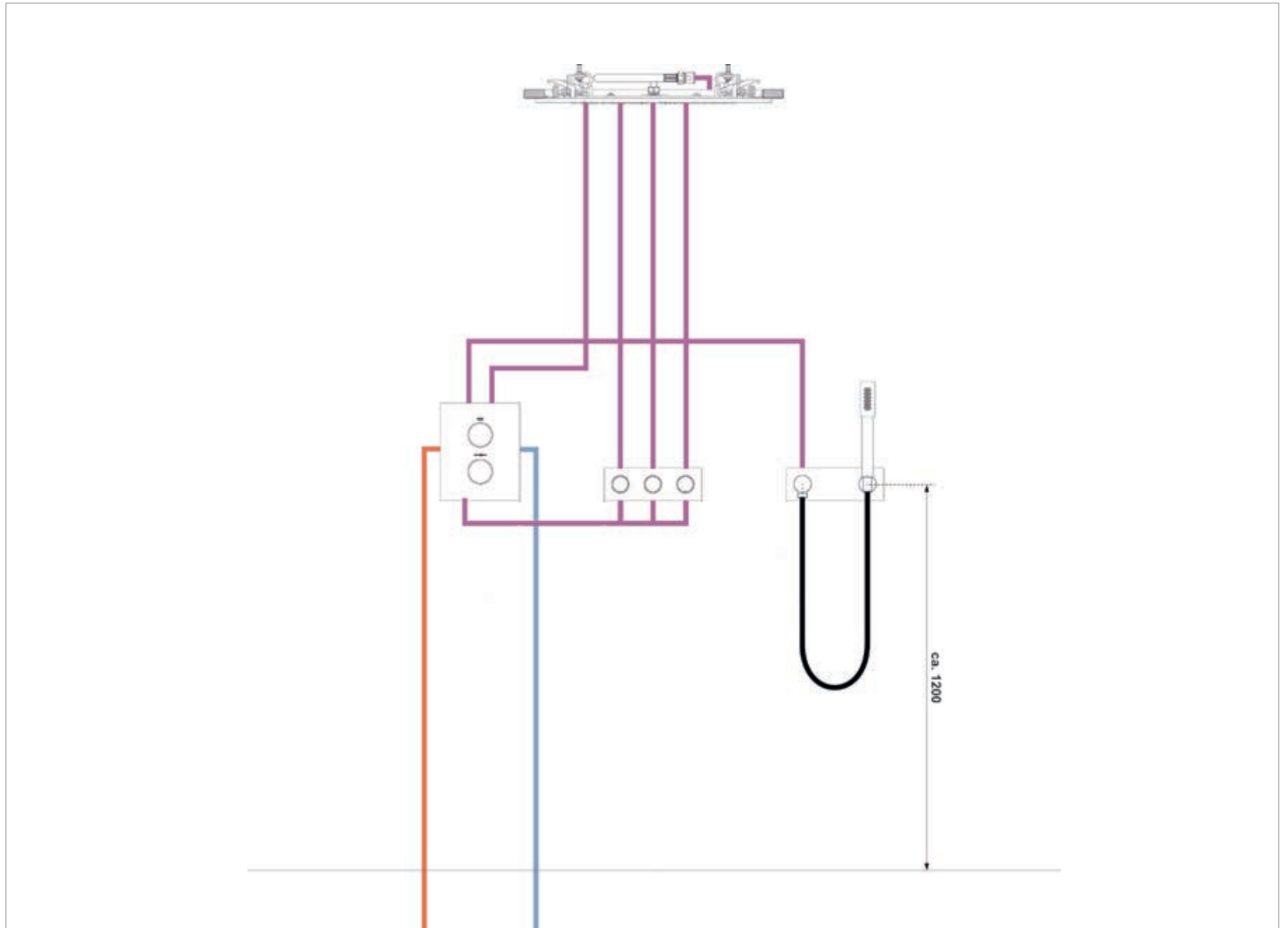
GROHE SPA™ is designed to deliver the ultimate showering and home spa experience. The new multi-spray showerhead offers Rain, GROHE Bokoma™ Massage and Waterfall sprays, which can be used independently or in combination. Grohtherm F is used because it can deliver water to several showers and / or spouts. Individual volume controls can be installed for each showers and/or spout, including the flexible hand shower, which makes the system easy to understand and operate. As every module comes in a coordinated design, it is easy to create a stylish and complementary GROHE SPA shower.



SORTIMENT

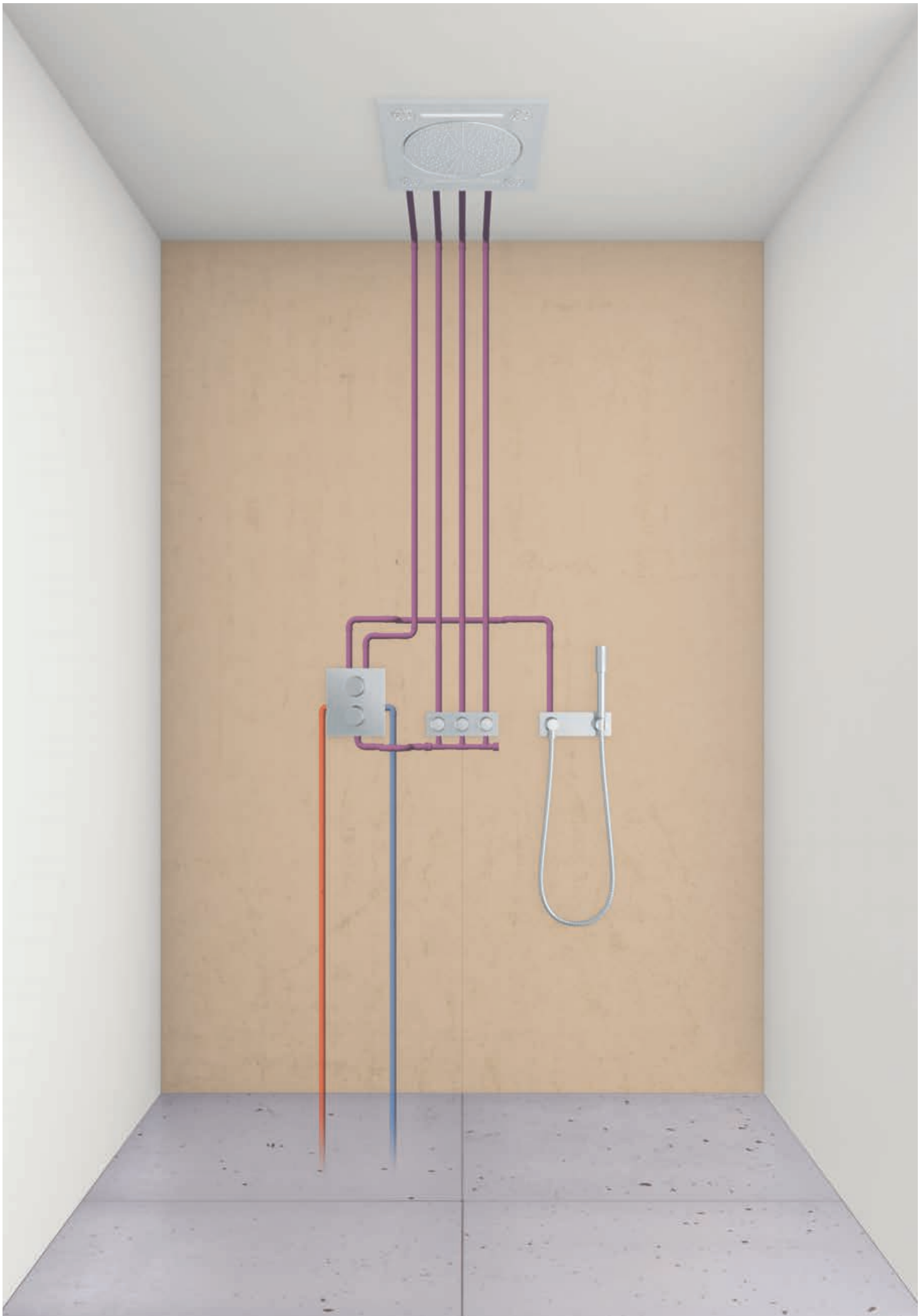
- 35 500 000 GROHE Rapido-T universal thermostatic mixer for concealed installation without finishing trim set
- 27 618 000 Grohtherm F thermostatic trim
- 35 031 000 GROHE Rapido-C rough-in for triple volume control 27 625 000 without finishing trim set
- 27 625 000 Grohtherm F triple volume control trim
- 28 143 000 Relaxa metal hose
- 35 034 000 Grohtherm F rough-in for wall shower union
- 27 621 000 Grohtherm F wall shower union
- 27 939 001 Rainshower® F-Series multi Spray ceiling shower 15"
- 28 034 000 Sena hand shower

PLANNING INFORMATION GROHE GROHTHERM F CENTRAL THERMOSTAT WITH TRIPLE VOL. CONTROL, MULTISPRAY CEILING SHOWER AND HAND SHOWER

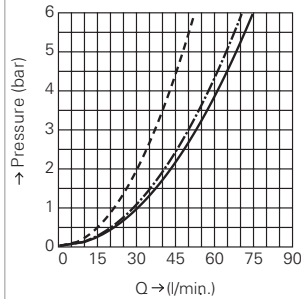
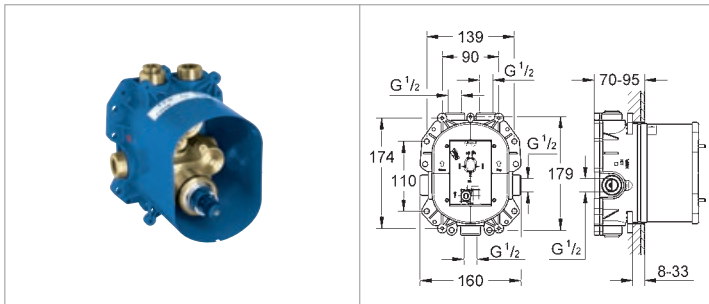


TIPS FOR PLANNING

- The minimum required water pressure is 3 bar each for hot water and cold water.
- Use the bottom outlet of Rapido T, which is designed for high flow, to connect the triple volume control.
- The installation depth is 70-95 mm.
- For deeper installations, extension kits are available.
- The rough-ins come in installation boxes with lugs for easy fixing.
- The rough-ins are delivered with gaskets for sealed wall installation.



PLANNING INFORMATION GROHE GROHTHERM F CENTRAL THERMOSTAT WITH TRIPLE VOL. CONTROL, MULTISPRAY CEILING SHOWER AND HAND SHOWER



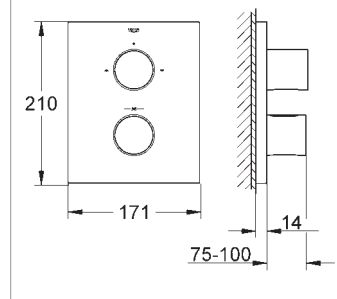
Pressure loss curve without downstream resistance, temperature selector setting, 38°C

bar	1	2	3	4	5	6
— max.	30.6	43.3	53.0	61.2	68.4	75.0
- - - Outlet above	21.4	30.2	37.0	42.7	47.8	52.3
- · - Outlet below	28.9	40.8	50.0	57.7	64.5	70.7
l/min.						

35 500 000

GROHE Rapido T

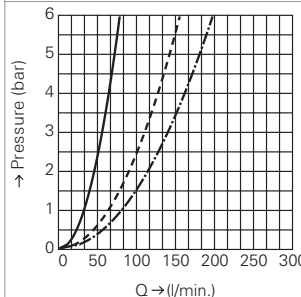
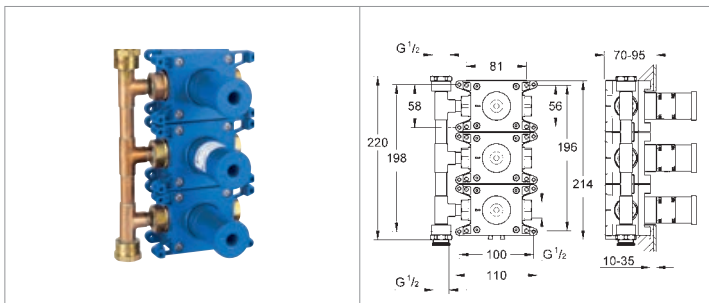
- Universal thermostatic mixer for concealed installation without finishing trim set
- with wax thermoelement
- bottom outlet 1/2" - can only be used with separate stopvalve
- built-in non return valve and dirt strainers
- two top outlets 1/2", lockable



27 618 000

Grotherm F

- Thermostatic Module
- with 2-way AquaDimmer
- for use with Rapido 35 500 000



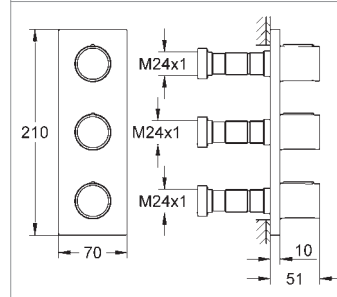
Pressure loss curve without downstream resistance.

bar	1	2	3	4	5	6
— one valve opened	31.8	44.9	55.0	63.5	71.0	77.8
- - - two valves opened	63.5	89.8	110.0	127.0	142.0	155.6
- · - three valves opened	80.8	114.3	140.0	161.7	180.7	198.0
l/min.						

35 031 000

GROHE Rapido C

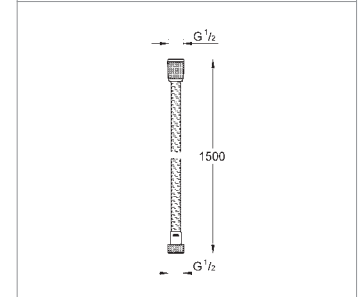
- Rough-in for triple volume control 27 625 000
- without finishing trim set
- for grid installation of Grotherm Custom Shower system
- built-in box with removable protection cover
- waterproof membrane base for wall sealing



27 625 000

Grotherm F

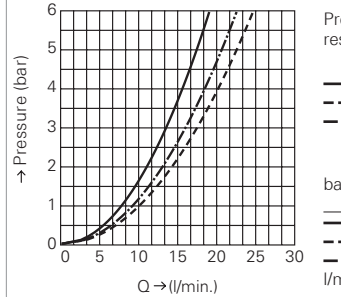
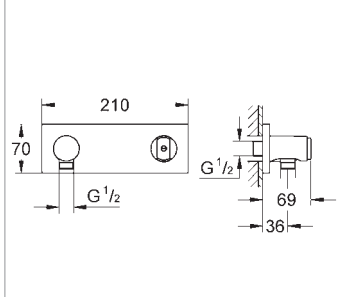
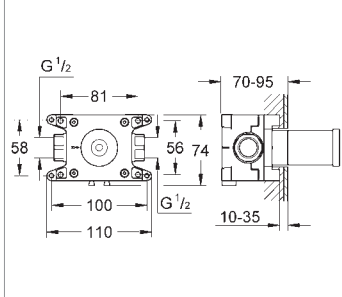
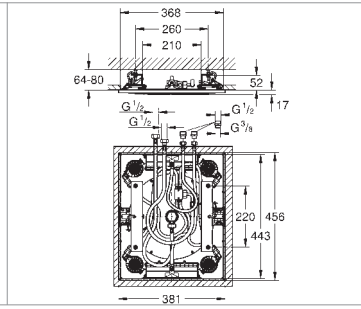
- Triple volume control trim
- for use with rough-in box 35 031 000 (1/2" connections)
- sold separately
- vertical and horizontal installation



28 143 000

Relexa

- Metal hose
- 1.500 mm, 1/2" x 1/2"
- Longlife



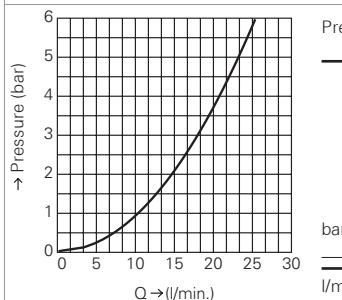
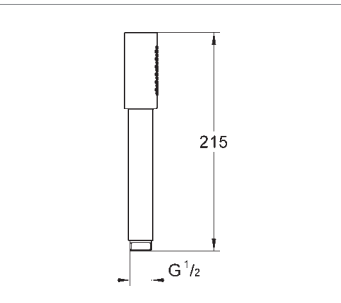
Pressure loss curve without downstream resistance.

— Rain spray
 - - - GROHE Bokoma™ spray for massage
 - · - · XL-waterfall

35 034 000
Grotherm F
 Rough-in for wall shower union
 27 621 000
 for grid installation of Grotherm Custom Shower system
 installation depth 70 mm - 95 mm

27 621 000
Grotherm F
 Wall shower union with integrated shower holder
 for use with rough-in box 35 034 000 (1/2" connection)
 sold separately
 vertical and horizontal installation

27 939 001
Rainshower® F-Series
 Multi Spray ceiling shower 15"
 456 mm x 381 mm
 3 sprays:
 Rain spray, GROHE Bokoma™ spray for massage, XL-waterfall



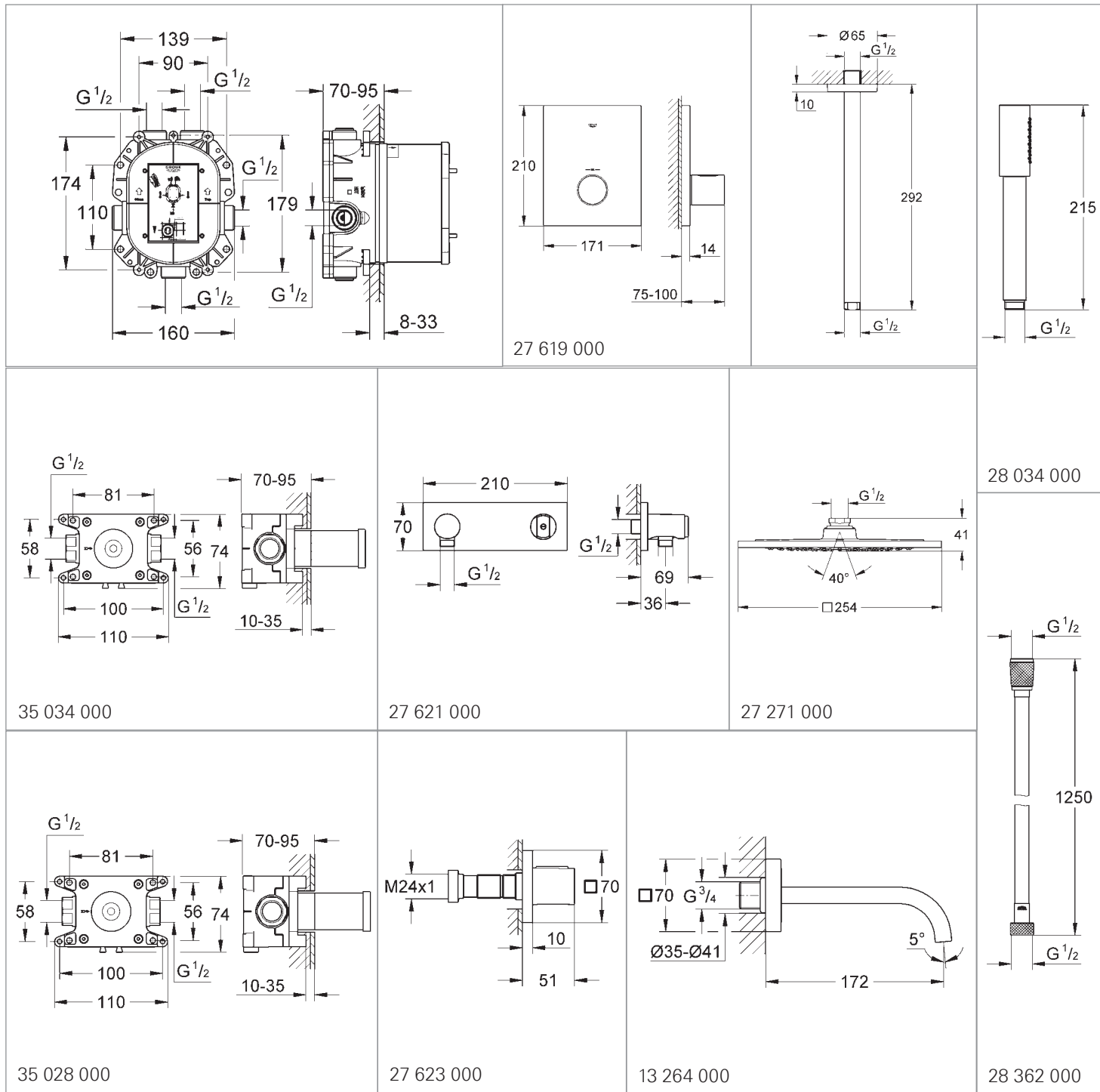
Pressure loss curve
 — Normal spray

28 034 000
Sena
 Hand shower
 normal spray

PLANNING INFORMATION GROHE GROHTHERM F CENTRAL THERMOSTAT WITH 3× SINGLE VOLUME CONTROL, BATH SPOUT, CEILING + HAND SHOWER



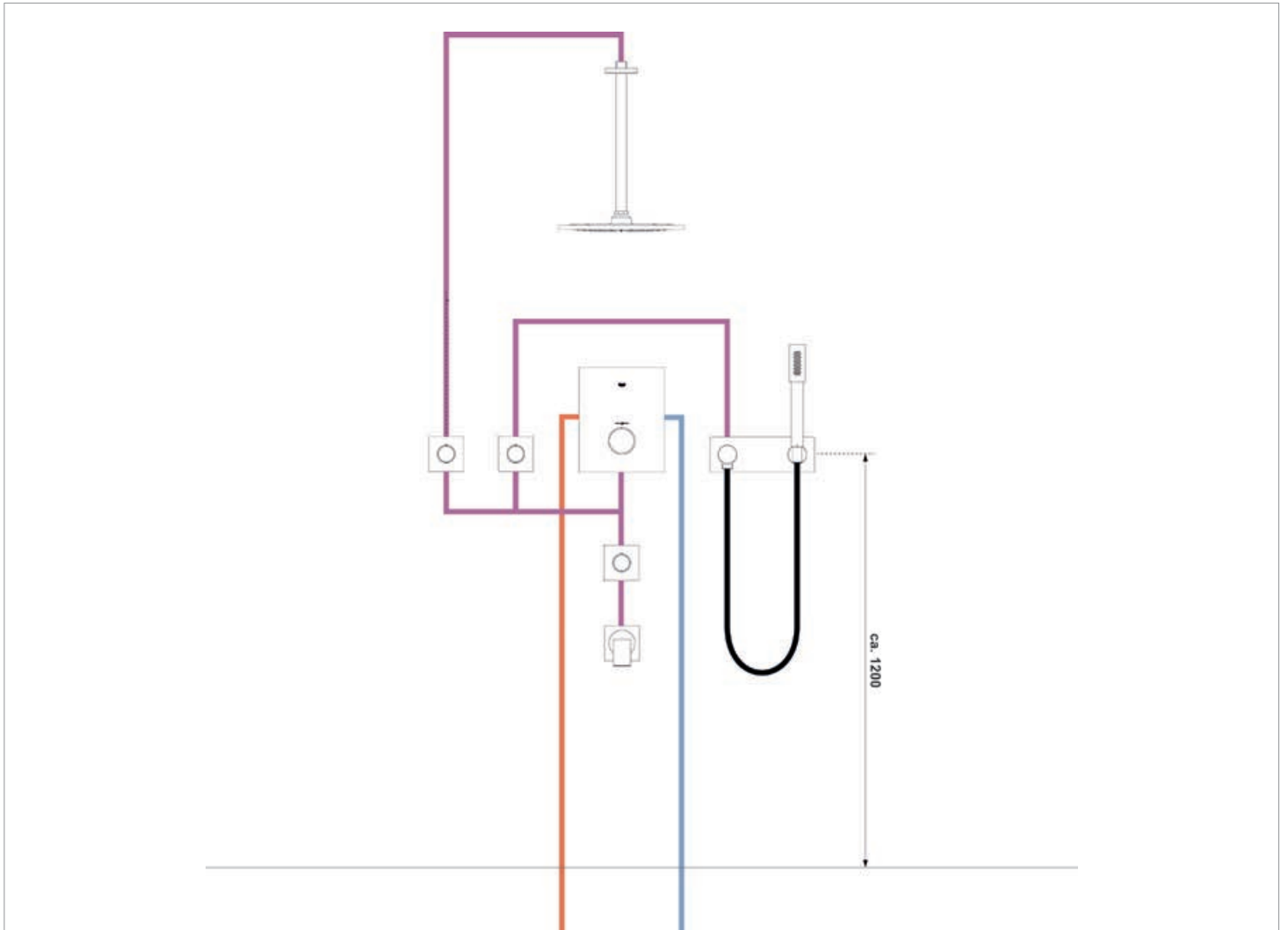
Grotherm F is a concealed shower system that is perfect for custom bathrooms, including luxury home Spas and hotel bathrooms, because it is flexible and can deliver water to several showers and / or spouts. Individual volume controls can be installed for each showers and/or spout, which makes the system easy to understand and operate.



RANGE

- 35 500 000 GROHE Rapido-T universal thermostatic mixer for concealed installation without finishing trim set
- 27 619 000 Grohtherm F thermostatic trim with
- 28 497 000 Rainshower® ceiling shower arm
- 35 028 000 GROHE Rapido-C rough-in for single volume control
- 27 623 000 Grohtherm F Single volume control trim
- 28 362 000 Silverflex shower hose
- 35 034 000 Grohtherm F rough-in for wall shower union
- 27 621 000 Grohtherm F wall shower union
- 27 271 000 Rainshower® F-Series head shower 10"
- 28 034 000 Sena hand shower
- 13 264 000 Allure bath spout

PLANNING INFORMATION GROHE GROHTHERM F CENTRAL THERMOSTAT WITH 3× SINGLE VOLUME CONTROL, BATH SPOUT, CEILING + HAND SHOWER

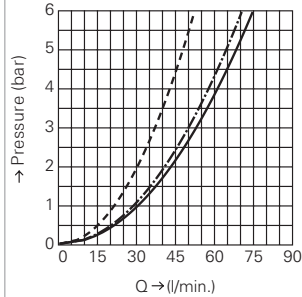
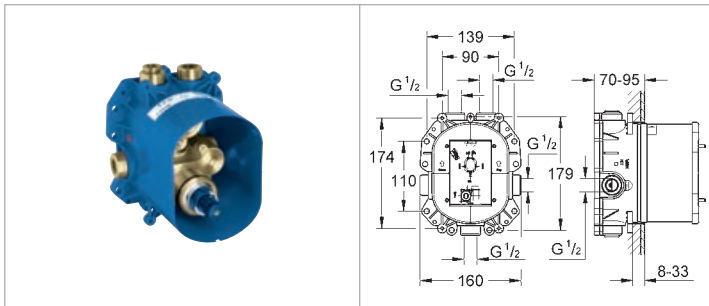


TIPS FOR PLANNING

- The minimum installation distances are shown in the diagram
- The installation depth is 70-95 mm
- The rough-ins come in installation boxes with lugs for easy fixing
- All three outlets of Rapido T can be used, depending on what is easiest for the installation, but we recommend using the bottom outlet, which has a higher flow, for the bath spout.



PLANNING INFORMATION GROHE GROHTHERM F CENTRAL THERMOSTAT WITH 3x SINGLE VOLUME CONTROL, BATH SPOUT, CEILING + HAND SHOWER



Pressure loss curve without downstream resistance, temperature selector setting, 38°C

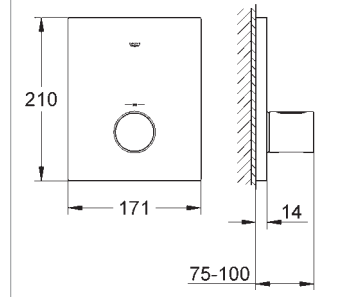
bar	1	2	3	4	5	6
— max.	30.6	43.3	53.0	61.2	68.4	75.0
- - - Outlet above	21.4	30.2	37.0	42.7	47.8	52.3
- - - Outlet below	28.9	40.8	50.0	57.7	64.5	70.7

l/min.

35 500 000

GROHE Rapido T

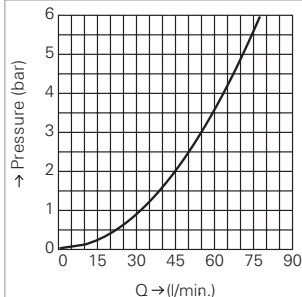
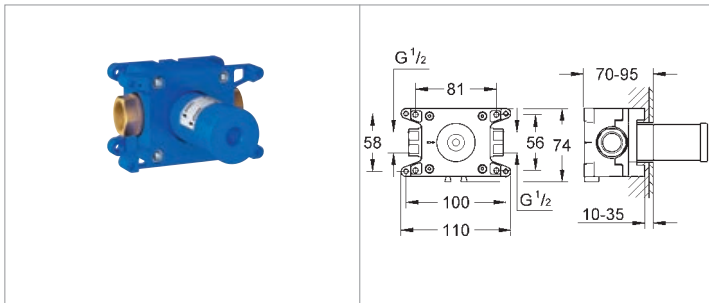
Universal thermostatic mixer for concealed installation without finishing trim set with wax thermoelement bottom outlet 1/2" - can only be used with separate stopvalve built-in non return valve and dirt strainers two top outlets 1/2", lockabl



27 619 000

Grotherm F

Thermostatic trim for high-flow, multiple outlet custom shower applications requires separate volume controls for use with Rapido T rough-in box 35 500 000 sold separately



Pressure loss curve without downstream resistance.

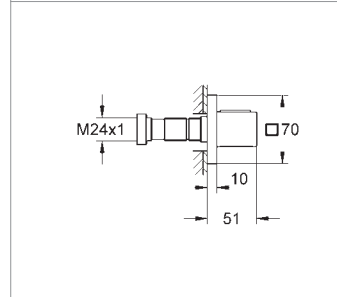
bar	1	2	3	4	5	6
— Pressure loss curve without downstream resistance.	31.8	44.9	55.0	63.5	71.0	77.8

l/min.

35 028 000

GROHE Rapido C

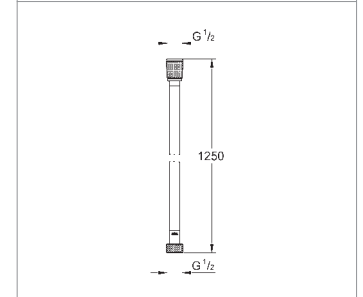
Rough-in for single volume control 27 623 000 without finishing trim set installation depth 70 mm - 95 mm for grid installation of Grotherm Custom Shower system



27 623 000

Grotherm F

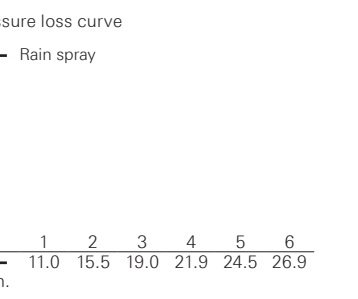
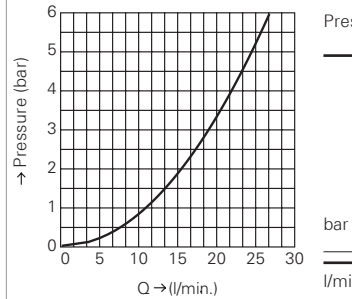
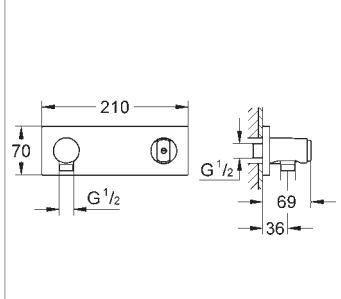
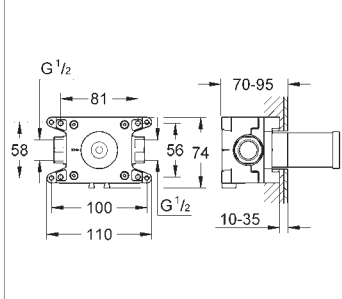
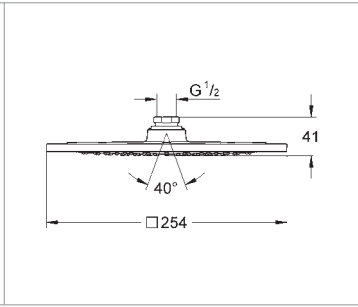
Single volume control trim for use with rough-in box 35028000 sold separately



28 362 000

Silverflex

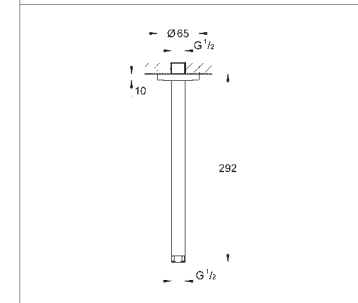
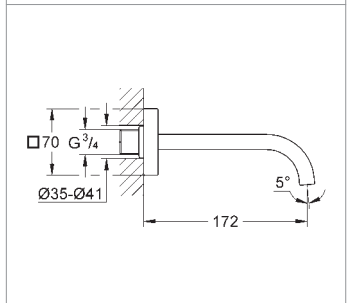
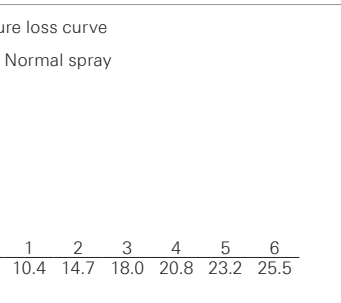
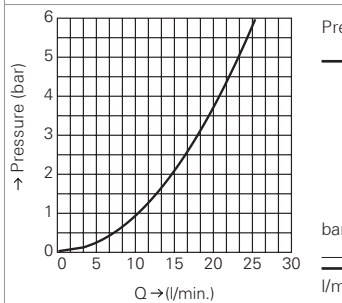
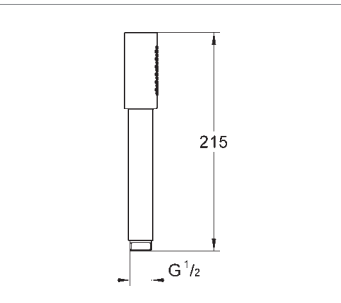
Shower hose 1.250 mm, 1/2" x 1/2"



35 034 000
Grotherm F
 Rough-in for wall shower union
 27 621 000
 for grid installation of Grotherm
 Custom Shower system
 installation depth 70 mm - 95 mm

27 621 000
Grotherm F
 Wall shower union with integrated
 shower holder
 for use with rough-in box
 35 034 000 (1/2" connection)
 sold separately
 vertical and horizontal installation

27 271 000
Rainshower® F-Series
 Head shower 10"
 254 mm x 254 mm
 Rain spray
 suitable for instantaneous heater
 min. recommended pressure 1.0 bar



28 034 000
Sena
 Hand shower
 normal spray

13 264 000
Allure
 Bath spout
 wall mounted
 projection 172 mm
 mousseur

28 497 000
Rainshower®
 Ceiling shower arm
 length 292 mm

PLANNING INFORMATION GROHE GROHTHERM F WHAT FLOW PRESSURE IS NEEDED TO RUN THE SYSTEM?

The maximum number of body jets that can be run at the same time as other shower outlets is limited by the on-site water flow pressure.

The table below reveals the recommended number of body jets that can be used with a headshower and handshower for a range of available water pressures.

For detailed information about the system you are planning to install please refer to the flow diagrams on the following pages. Each of the individual modules is clearly explained to ensure perfect performance.

BODY-JETS	HEAD SHOWER	HAND SHOWER	REMARK	MIN. FLOW PRESSURE (HOT- AND COLD WATER)
6 x 27251 Rainshower F-Series Body Jet 5"	1 x 27286 Rainshower F-Series ceiling shower 20"	1 x 28034 Sena hand shower	body jets and ceiling shower can be runned at the same time: head shower: approx. 12l/min. /body jets: approx. 5 l/min each	3 bar
4 x 27251 Rainshower F-Series Body Jet 5"	1 x 27286 Rainshower F-Series ceiling shower 20"	1 x 28034 Sena hand shower	body jets and ceiling shower can be runned at the same time: head shower: approx. 12l/min. /body jets: approx. 5 l/min each	2 bar
3 x 27251 Rainshower F-Series Body Jet 5"	1 x 27286 Rainshower F-Series ceiling shower 20"	1 x 28034 Sena hand shower	body jets and ceiling shower can be runned at the same time: head shower: approx. 14l/min. /body jets: approx. 5 l/min each	1,5 bar
2 x 27251 Rainshower F-Series Body Jet 5"	1 x 27286 Rainshower F-Series ceiling shower 20"	1 x 28034 Sena hand shower	body jets and ceiling shower can be runned at the same time: head shower: approx. 12l/min. /body jets: approx. 5 l/min each	1 bar



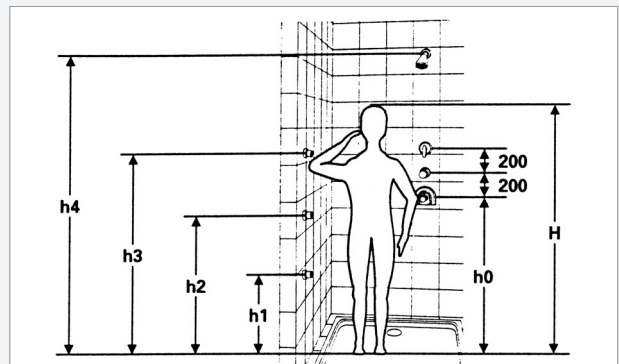
PLANNING INFORMATION

INSTALLATION INSTRUCTIONS

RECOMMENDED INSTALLATION HEIGHTS

Description	Shower installation height (m)					
	H	1,500	1,600	1,700	1,800	1,900
Body height	H					
Digital Controller / Digital Diverter	h0	1,077	1,136	1,201	1,262	1,324
Head shower	h4	2,003	2,126	2,250	2,373	2,496
Side shower	h3	1,331	1,416	1,502	1,587	1,672
Side shower	h2	1,027	1,089	1,151	1,212	1,274
Side shower	h1	0,573	0,611	0,649	0,688	0,725

H = body height
 h1 = height of the knee shower
 h3 = height of the shoulder shower
 h0 = height of the Digital Controller / Digital Diverter
 h2 = height of the hip shower
 h4 = height of the head shower



Barrier free installation height of controller / diverter: 1,250 m

Basin set	Recommended height*
Mirror	1100 - 1250 mm
Shelf	1150 - 1250 mm
Glass holder	1150 - 1250 mm
Soap dish	950 - 1050 mm
Soap dispenser	950 - 1050 mm
Towel ring	900 - 1000 mm
Towel rail	850 - 950 mm

WC set	Recommended height*
Toilet roll holder	700 - 800 mm
Spare toilet roll holder	200 - 250 mm
Toilet brush set	200 - 250 mm

Bath set	Recommended height*
Towel rail 600/800 mm	1550 - 1750 mm
Robe hook	1550 - 1750 mm
Soap dish	100 - 350 mm **
Soap dispenser	100 - 350 mm **

Bidet set	Recommended height*
Towel ring	900 - 950 mm
Soap dish	650 - 750 mm

Shower set	Recommended height*
Towel rail 600/800 mm	1550 - 1750 mm
Robe hook	1550 - 1750 mm
Soap dish	1200 - 1500 mm
Soap dispenser	1200 - 1500 mm



* Measured from the flooring ** Measured from the bath rim



HERE'S HOW YOU CAN BECOME A GROHE SMART PARTNER

1. REGISTER ONLINE at www.grohesmart.com
2. DOWNLOAD THE SMART READER APP
3. CHECK YOUR SMART ACCOUNT STATUS
4. REDEEM YOUR SMARTS FOR ATTRACTIVE REWARDS



You can download the SMART Reader app here:

